

THE NETHERLANDS

COMMUNICATION

Concerning ⁽¹⁾:

- approval granted
- ~~approval extended~~
- ~~approval refused~~
- ~~approval withdrawn~~
- ~~production definitely discontinued~~

of a type of lamp pursuant to UN Regulation number 148 (LSD).

Lamp ⁽¹⁾	Rear registration plate illuminating lamp
	Direction indicator lamp
	Stop lamp
	Position lamp
	End-outline marker lamp
	Reversing lamp
	Manoeuvring lamp
	Rear fog lamp
	Parking lamp
	Daytime running lamp
Side marker lamp	

Category of the lamp : Direction indicator category 11, 12

Change index : 0

Approval number: : **E4*148R00/04*0723*00**

Unique Identifier (UI) (if applicable) : Not applicable



Approval number: E4*148R00/04*0723*00

1. Trade name or mark of the lamp : **K-LITE & KYI**
2. Manufacturer's name for the type of lamp : M341
3. Manufacturer's name and address : K-Lite (Yuyao) Plastics Co., Ltd.
No.5 Workshop, No.20 Xingye Road, Yangming Industrial Zone, Yuyao City, 315400 Zhejiang Province, China (PRC)
4. If applicable, name and address of the manufacturer's representative : ---
5. Submitted for approval on : March 16, 2023
6. Technical service responsible for conducting approval tests : TÜV NORD Mobilität GmbH & Co. KG
: IFM - Institut für Fahrzeugtechnik und Mobilität
Schönscheidtstr. 28
D-45307 Essen
7. Date of report issued by that Service : March 24, 2023
8. Number of report issued by that Service : CS148-A0-2023-00655
9. Concise description :
- 9.1. In case of
- 9.1.1. A rear-registration plate illuminating lamp : ---

Geometrical conditions of installation (position(s) and inclination(s) of the device in relation to the space to be occupied by the registration plate and/or different inclinations of this space) : ---
- 9.1.2. A direction indicator : Direction indicator category 11, 12

Sequential activation of light sources : ~~yes~~/no⁽¹⁾
- 9.1.3. A reversing lamp : ---

The lamp shall be installed on a vehicle only as part of a pair of lamps : ~~yes~~/no⁽¹⁾
- 9.1.4. A manoeuvring lamp : ---

The maximum mounting height : ---
- 9.1.5. A daytime running lamp : ---

Maximum luminous intensity does not exceed 700 cd : ~~yes~~/no⁽¹⁾



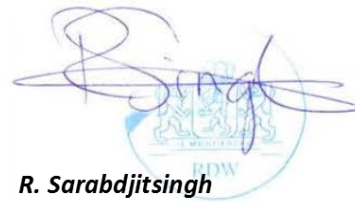
Approval number: E4*148R00/04*0723*00

- 9.2. By light signalling function and category : Direction indicator category 11, 12
- For mounting either : ~~outside or inside or both~~⁽¹⁾
- Colour of light emitted : ~~red/white/amber/colourless~~⁽¹⁾
- Number, category and kind of light source(s) : Non-replaceable light source, 4*LEDs, 12V, 1.6W
- Lamp approved for LED substitute light source(s) : ~~yes/no~~⁽¹⁾
- If yes, category of LED substitute light source(s) : ---
- Voltage and wattage : 12V, 1.6W
- Light source module : ~~yes/no~~⁽¹⁾
- Light source module specific identification code : ---
- Only for limited mounting height of equal to or less than 750 mm above the ground, if applicable : ~~yes/no~~⁽¹⁾
- Geometrical conditions of installation and relating variations, if any : refer to the drawing of the information folder
- Application of an electronic light source control gear/variable intensity control : ---
- (a) Being part of the lamp : ~~yes/no~~⁽¹⁾
- (b) Being not part of the lamp : ~~yes/no~~⁽¹⁾
- Input voltage(s) supplied by an electronic light source control gear/variable intensity control : ---
- Electronic light source control gear/variable intensity control manufacturer : --- and identification number (when the light source control gear is part of the lamp but is not included into the lamp body)
- Variable luminous intensity, if applicable : ~~yes/no~~⁽¹⁾
- Function(s) produced by an interdependent lamp forming part of an interdependent lamp system, if applicable : ---
- 9.3. ~~The front position lamp⁽¹⁾, rear position lamp⁽¹⁾, stop lamp⁽¹⁾, end-outline marker lamp⁽¹⁾, daytime running lamp⁽¹⁾~~ is only for use on a vehicle fitted with a tell-tale indicating failure : ~~yes/no~~⁽¹⁾



Approval number: E4*148R00/04*0723*00

10. Position of the approval mark : Marked on lens
11. Reason(s) for extension (if applicable) : ---
12. Approval : granted/~~extended/refused/withdrawn~~⁽¹⁾
13. Approval granted for devices to be used on vehicles already in use only : ~~yes~~/no⁽¹⁾
14. Place : Zoetermeer
15. Date : 17 April 2023
16. Signature :



R. Sarabdjitsingh

17. The list of documents deposited with the Type Approval Authority which has granted approval is annexed to this communication and may be obtained on request.

⁽¹⁾ Strike out what does not apply.

Application date : March 16, 2023

1. Specification data

Type		M341	
Function		direction indicator lamp category 11, 12	
Emitted color		Amber	
Rated	Voltage	12V	
	Wattage	1.6W	
Applicable Regulation (UN)		ECE R148	
Number and category of light source		4*LEDs Non-replaceable light source	
Location of marking	Rated voltage	Marked on Housing	
	Trade mark	K-LITE & KYI	Marked on Lens
	Approval mark	Marked on Lens	

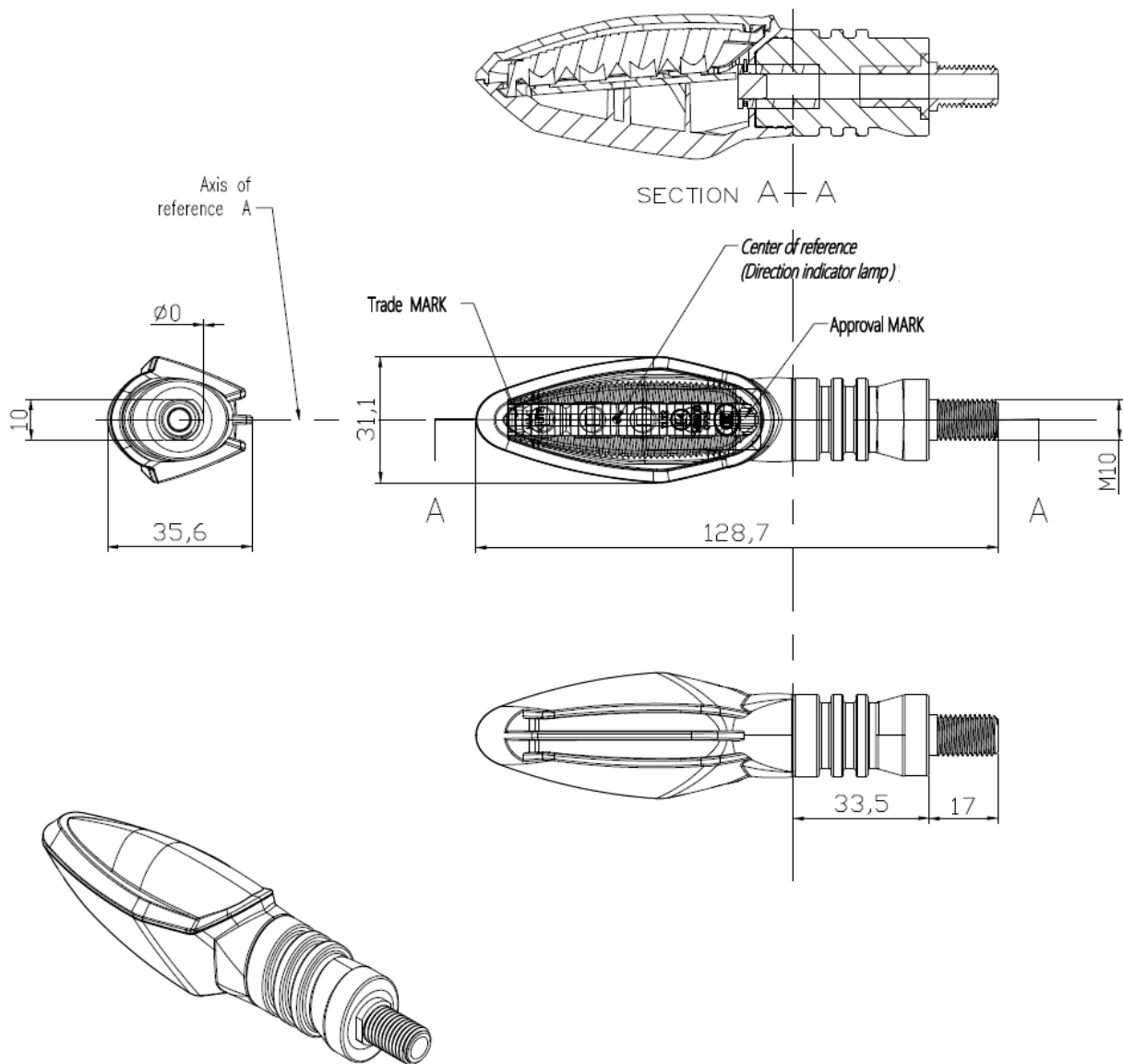
2. Construction and material

Construction	Material	Remarks
Outer Lens	PMMA	clear without pattern
Inner Lens	PMMA	clear with pattern
Housing	ABS	--
Electrical wiring	--	--

3. Name and address of manufacturer : K-Lite (Yuyao) Plastics Co., Ltd.
No.5 Workshop, No.20 Xingye Road, Yangming Industrial Zone, Yuyao City, 315400 Zhejiang Province, China (PRC)

4. Name and address of representative of manufacturer : Not applicable


This information document consists of 3 pages.

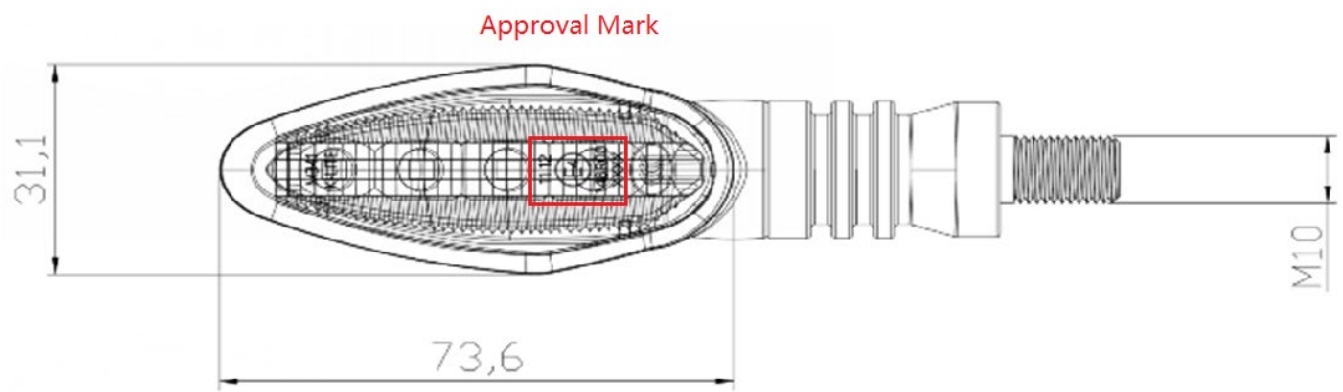


Approval MARK

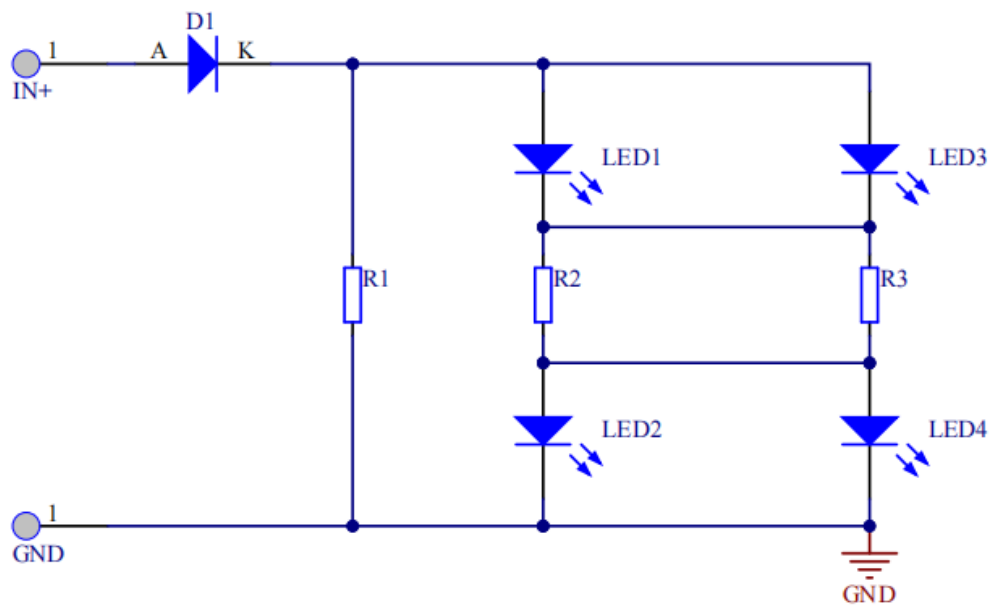
Trade MARK

TYPE

<p>11 12</p> <p>E4</p> <p>148R00</p> <p>0723</p> 	<p>K-LITE</p>	<p>M341</p>
--------------------------------------------------------------------------------------------------------------------------------------	---------------	-------------



CIRCUIT DIAGRAM



Type : M341
Manufacturer : K-Lite (Yuyao) Plastics Co., Ltd.

Test Report

Agreement concerning the adoption of uniform technical prescriptions for the wheeled vehicles, equipment and parts which can be fitted and/or be used on wheeled vehicles and the conditions for reciprocal recognition of approvals granted on the basis of these prescriptions

Uniform provisions concerning the approval of light-signalling devices (lamps) for power-driven vehicles and their trailers

ECE-R148
as last amended

Supplement 04 to the 00 series of amendments

Approval status	
ECE	Number of approval
	E4*148R00/04*0723*00

Type : M341
Manufacturer : K-Lite (Yuyao) Plastics Co., Ltd.

0. General information

- 0.1. Trademark or trade name of the lamp : **K-LITE & KYI**
- 0.2. Manufacturer's name for the type of the lamp : M341
- 0.3. Versions : ---
- 0.4. Name and address of the manufacturer : K-Lite (Yuyao) Plastics Co., Ltd.
No.5 Workshop, No.20 Xingye Road, Yangming Industrial Zone, Yuyao City, 315400 Zhejiang Province, China (PRC)
- 0.5. Name and address of representative of manufacturer : ---
- 0.6. No. of information folder : M341-00
Date of issue : March 16, 2023
Date of last amendment : ---

Type : M341
Manufacturer : K-Lite (Yuyao) Plastics Co., Ltd.

1. Test object(s) and general test information

1.1. Test object(s)

identification number : ---

version : ---

Remark : Direction indicator category 11, 12
light source: non-replaceable light source
4*LEDs, 12V, 1.6W

1.2. Worse case : not applicable

1.3. General test information

1.3.1. Order issued by : ---
(if different from manufacturer)

1.3.2. Test object / ~~test vehicle~~ received on : March 16, 2023

1.3.3. Test date : March 20, 2023

1.3.4. Test site : Shanghai Motor Vehicle Inspection Certification &
Tech Innovation Center Co., Ltd.
68, YuTian Rd.(S), An Ting, Jia Ding, Shanghai,
China

1.3.5. Remark : The results of the test refer exclusively to the object(s)
mentioned under point 1.1 of this report.

Type : M341
Manufacturer : K-Lite (Yuyao) Plastics Co., Ltd.

2. Test minutes

2.1. Test facilities : The test facilities are in compliance with the requirements of the regulation.

2.2. Test results : ~~The type has been examined according to the amendments mentioned in appendix 0.~~

~~An actual test of the type was not required. The results of the previous tests are still valid.~~

Markings : The trade mark is marked clearly legible and indelible on the lens of the lamp.

~~The filament lamp type /~~ rated voltage and wattage is clearly legible and indelible marked on the housing of the lamp.

Space for the approval mark and for additional symbols is provided on the lens of the lamp.

2.3. General specifications : The lamps are designed and made that under normal use their satisfactory operation is ensured and they retain the required characteristics.

The colour of the light emitted inside the field of the light distribution grid defined in paragraph 2. of Annex 3 is **AMBER**. Outside this field, no sharp variation of colour is observed.

To check these colorimetric characteristics, the test procedure described in paragraph 4.7, 4.8. and 4.9. of this Regulation is applied.

Type : M341
Manufacturer : K-Lite (Yuyao) Plastics Co., Ltd.

2.4. Photometric tests : ~~The light emitted was obtained by means of an uncoloured or a coloured standard lamp of the category stated in item 1.1, producing the required luminous flux.~~

The light emitted was obtained by means of non-replaceable light sources at 6.75V, 13.5V, or 28V stated in item 4.7 of this Regulation.

The light distribution angles and levels of intensity have been measured in accordance with Annex 3 of the Regulation, based on the manufacturer's indication of the centre of reference and axis of reference.

The light intensity was measured after 1 minute burning period and after 30 minutes burning in reference axis. The distribution of the light intensity after 1 minute burning period was calculated using the ratio of the two described measurements. The light intensity and its distribution are in compliance with the requirement after 1 minute burning period and after 30 minutes burning period.

The single lamp containing more than one light source complies with the minimum intensity required when anyone light source has failed.

~~The single lamp containing more than one light source, but all light sources which are connected in series are considered to be one light source.~~

2.5. Explanatory note : This report describes the examination of the Direction indicator category 11, 12 as a part of a lamp device.

For the examination of the other lamp of the device, refer to the following report:

Type of lamp	Test report No.
---	---

2.6. Variants and components : not applicable

2.7. Test conclusion : Passed /-failed

Type : M341
Manufacturer : K-Lite (Yuyao) Plastics Co., Ltd.

3. Remark concerning tested object(s)

All versions of the lamps as stated in the information document are covered with the tested version(s) and test object(s) respectively.

4. Appendices

0 List of modifications

1 Test minutes

Information folder no. : M341-00

5. Statement of conformity

The type described in this test report and the appendices attached are in compliance with the Test Specification mentioned above.

The samples / ~~test vehicles~~ used were representative in terms of the type to be approved.

The Test Report comprises pages 1 to 9.

The Test Report shall be reproduced and published in full only and by the client only. It shall be reproduced partially with the written permission of the Test Laboratory only.

TEST LABORATORY

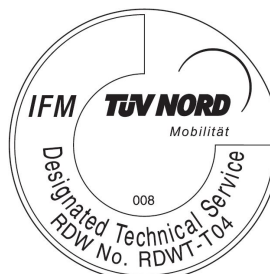
TÜV NORD Mobilität GmbH & Co. KG
IFM - Institut für Fahrzeugtechnik und Mobilität,
Schönscheidtstr. 28, D-45307 Essen

Designated Technical Service
RDW No. RDWT-T04

Guangzhou, March 24, 2023
CZ / RT



B.S.M.E. C.Zong



Type : M341
Manufacturer : K-Lite (Yuyao) Plastics Co., Ltd.

List of modifications

Appendix 0

More details for application of : **Date** : -

Correction of : -

Modification of : -

Addition of : -

Deletion of : -

Type : M341
Manufacturer : K-Lite (Yuyao) Plastics Co., Ltd.

Test minutes

Appendix 1

Direction indicator lamp Category 11, 12

1.1. Sequential activation of light sources : ~~Passed~~ / ~~Failed~~ / Not applicable

1.2. Results of photometric tests
Measured after 1 minute burning period when all light sources lit

Light intensity of the lamps in reference axis [cd]		Allowable maximum	Required minimum
Sample No. 1	Sample No. 2		
325.6	350.2	500	90

Measured after 30 minute burning period when all light sources lit

distribution of the intensity of the lamps in [cd]								
horizontal angle		L20°	L10°	L5°	V	R5°	R10°	R20°
vertical angle Required minimum intensity	U10°	-	-	18	-	18	-	-
	U5°	9	18	-	63	-	18	9
	H	-	31.5	81	90	81	31.5	-
	D5°	9	18	-	63	-	18	9
	D10°	-	-	18	-	18	-	-
vertical angle sample 1 (left side)	U10°	-	-	49.5	-	57.6	-	-
	U5°	25.1	88.2	-	152.9	-	101.0	40.5
	H	-	177.9	268.6	312.4	261.1	164.1	-
	D5°	50.2	212.5	-	305.4	-	181.5	58.2
	D10°	-	-	200.4	-	198.7	-	-
vertical angle sample 2 (right side)	U10°	-	-	48.7	-	56.9	-	-
	U5°	24.7	86.8	-	151.5	-	99.8	39.7
	H	-	174.5	264.1	347.3	257.1	161.6	-
	D5°	49.6	207.9	-	300.4	-	178.2	56.6
	D10°	-	-	196.7	-	194.4	-	-

	sample 1	sample 2	allowable maximum	required minimum
maximum intensity [cd]	355.7	350.0	500	----
minimum intensity in the fields defined in annex 3 of the regulation [cd]	1.01	2.98	----	0.3

Test results : **Passed / failed**

Type : M341
Manufacturer : K-Lite (Yuyao) Plastics Co., Ltd.

Color of light emitted : The CIE trichromatic coordinates of the light emitted by the lamp are within the limits of Regulation.

Front direction indicator - amber

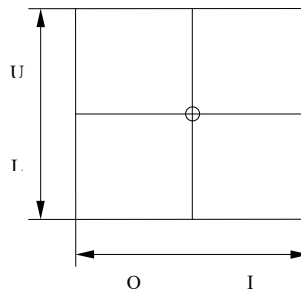
Chromaticity coordinates	Sample no.	
	1	2
x	0.5895	0.5877
y	0.4013	0.4016
Tolerance area	Boundaries A ₁₂ green boundary: $y=x-0.12$ A ₂₃ the spectral locus A ₃₄ red boundary: $y=0.390$ A ₄₁ white boundary $y = 0.790-0.670x$	

Test results : **passed / failed**

Apparent surface : Vertical and horizontal outlines of the illuminating surface of the light-signalling device in relation to the centre of reference and in accordance with Annex 3 of Regulation No. 48.

Definition of the illuminating surface of the device

⊕ centre of reference



function	upper boundary (U) [mm]	lower boundary (L) [mm]	inner boundary (I) [mm]	outer boundary (O) [mm]
Direction indicator	12	12	32	32

Statement manufacturer and authorization regarding application

This statement must only be sent with new "00" applications. This applies to both the statements that the application has not been submitted to another authority and the authorization of the applicant. If the authorized party is changed in the meantime (i.e. in case of an extension or correction request), this declaration must be filled in again.

1 **EC & UNECE type-approval number** : E4*148R00/04*0723*00

2 **Manufacturer/** **Manufacturer's representative** ⁽¹⁾

3 Company name : K-Lite (Yuyao) Plastics Co., Ltd.

4 Name authorized person : Zhu Xiaolong

5 Job title : Technical manager

6 E-mail address : rd@k-lite.com.cn , zhur.ok@163.com

7 Address manufacturer : No. 5 Workshop, No.20 Xingye Road, Yangming Industrial Zone, Yuyao City, Zhejiang Province, 315400 China(PRC)

8 Country : China

9 **Statement**

10 Hereby : Zhu Xiaolong ,

11 declares on behalf of the manufacturer : K-Lite (Yuyao) Plastics Co., Ltd. ,

12 for the application with type-approval number : E4*148R00/04*0723*00 ,

13 the following:

14 a) the manufacturer has not applied for an EC & UNECE type-approval for the same type to any other approval authority, and no other approval authority granted the manufacturer such an approval;

15 b) no approval authority has refused to grant type-approval of that type;

16 c) no approval authority has withdrawn type-approval of that type;

17 d) the manufacturer has not revoked an application for a type-approval of that type.

18 **Authorization regarding handling of this application (if applicable)** ⁽²⁾

19 Company name : TÜV NORD Mobilität GmbH & Co. KG

20 E-mail address : sgu@tuv-nord.com

21 Address : Schönscheidtstr. 28, D-45307 Essen

22 Country : Germany

23 **Authorization**

24 By means of this declaration, I

: Zhu Xiaolong ,

25 on behalf of : K-Lite (Yuyao) Plastics Co., Ltd. ,

26 authorizes : TÜV NORD Mobilität GmbH & Co. KG ,

27 to respectively apply for a type-approval with type-approval number:
E4*148R00/04*0723*00 ,

28 handle all communication concerning this application and receive the type-approval certificate.

29 **Date**

Place

Name:

30 March 16, 2023

Yuyao City, Zhejiang Province
China(PRC)

K-Lite (Yuyao) Plastics Co., Ltd.

31 On their behalf, signature : 

32 Name : Zhu Xiaolong

⁽¹⁾ Mark the specific checkbox.

⁽²⁾ This authorization only concerns the application procedure and all activities that are directly or indirectly related to this procedure. If and insofar as other procedures, including the lodging of objections, are deemed necessary, a new authorization must be submitted in respect of that specific procedure.