



THE NETHERLANDS  
(N E D E R L A N D)



COMMUNICATION


Concerning:

- approval granted
- ~~- approval extended~~
- ~~- approval refused~~
- ~~- approval withdrawn~~
- ~~- production definitely discontinued~~

of a type of retro-reflecting device pursuant to Regulation number 3.

Approval number: E4-3R-02 16616

Extension number: 00

- |    |  |   |   |
|----|--|---|---|
| 1. | Trade name or mark of the device                                     | : |                          |
| 2. | Manufacturer's name for the type of device                           | : | DF-TRL006   |
| 3. | Manufacturer's name and address                                      | : | Zhejiang Dahao Automotive Co., Ltd.<br>Xiaotian, Duqiao, Linhai,<br>Taizhou City Zhejiang, 317016,<br>China |
| 4. | If applicable, name and address of the manufacturer's representative | : | ---   |
| 5. | Submitted for approval on  | : | 26 June 2012  |
| 6. | Technical service responsible for conducting approval tests          | : | DEKRA Certification B.V.  |
| 7. | Date of test report  | : | 24 July 2012  |
| 8. | Number of test report  | : | 2153159-PHO-12-061-36   |
| 9. | Concise description  | : |   |
|    | <del>In isolation</del> /part of an assembly of devices              | : | Part of lamp  |

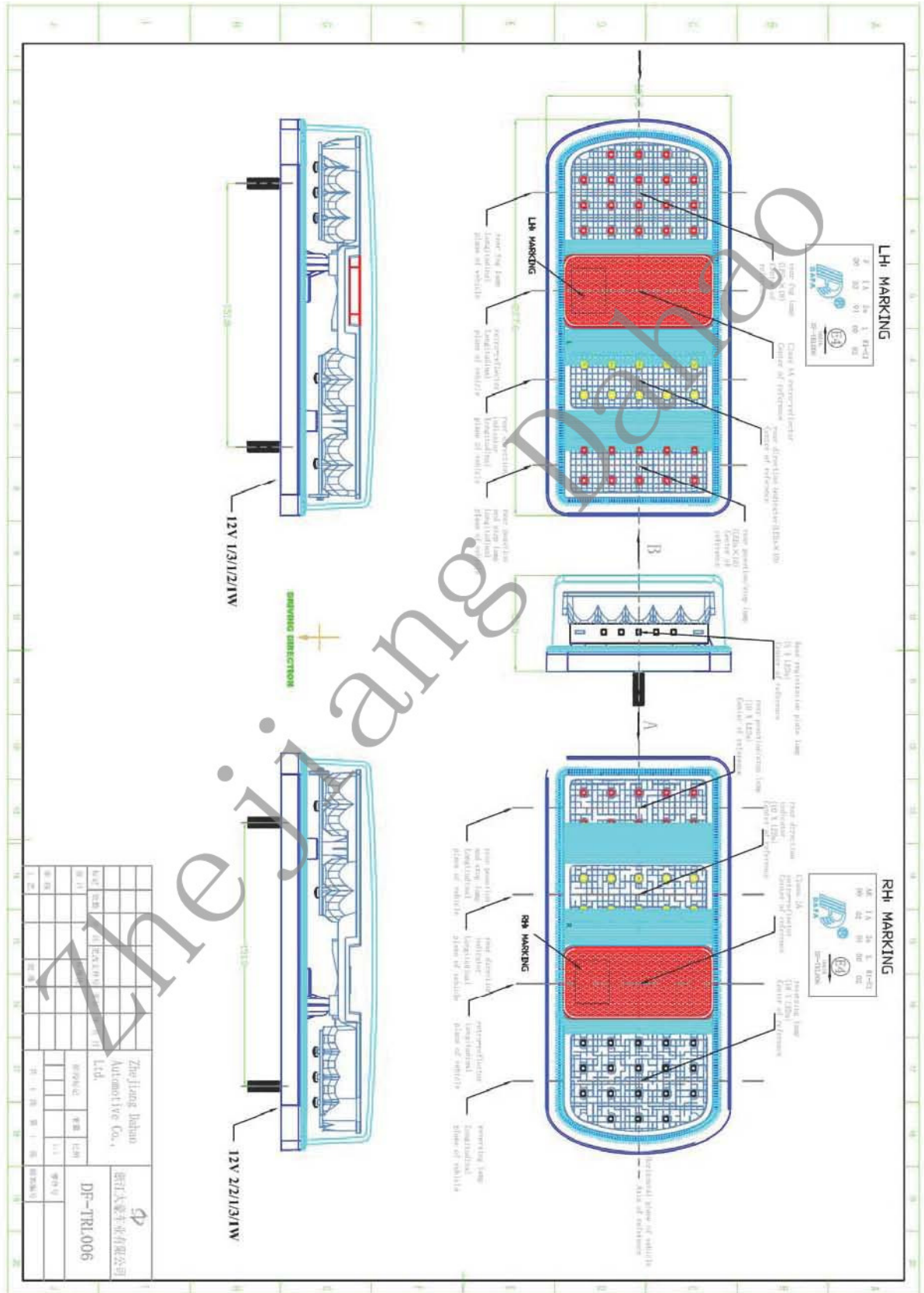


- Colour of light emitted : ~~white/red/amber~~
- Installation as an integral part of a lamp which is integrated into the body of a vehicle : ~~yes/no~~
- Geometric conditions of installation and relating variations, if any : --
10. Position of the approval mark : See annexed drawing
11. Reason(s) for extension (if applicable) : --
12. Approval : ~~granted/refused/extended/withdrawn~~
13. Place : Zoetermeer
14. Date : 06-AUG-2012
15. Signature :



The image shows a blue circular stamp of the RDW (Rijksdienst voor het Verkeer en Waterweg) logo, which includes a crown and a shield. Overlaid on the stamp is a handwritten signature in blue ink that reads "R.F.R. Clement".

16. The following documents, bearing the approval number shown above, are available on request:
- 1 drawing No.DF-TRL006
  - Test report as mentioned in item 8.



Zhengjiang Huhao Automotive Co., Ltd.		浙江豪豪汽车配件有限公司	
DPR-TRL.006		DPR-TRL.006	
REV. 01		REV. 01	
REV. 02		REV. 02	
REV. 03		REV. 03	
REV. 04		REV. 04	
REV. 05		REV. 05	
REV. 06		REV. 06	
REV. 07		REV. 07	
REV. 08		REV. 08	
REV. 09		REV. 09	
REV. 10		REV. 10	
REV. 11		REV. 11	
REV. 12		REV. 12	
REV. 13		REV. 13	
REV. 14		REV. 14	
REV. 15		REV. 15	
REV. 16		REV. 16	
REV. 17		REV. 17	
REV. 18		REV. 18	
REV. 19		REV. 19	
REV. 20		REV. 20	





THE NETHERLANDS  
(N E D E R L A N D)



COMMUNICATION

Concerning:

- approval granted
- ~~- approval extended~~
- ~~- approval refused~~
- ~~- approval withdrawn~~
- ~~- production definitely discontinued~~


of a type of device for the illumination of rear registration plates of motor vehicles (except motor cycles) and their trailers pursuant to Regulation number 4.

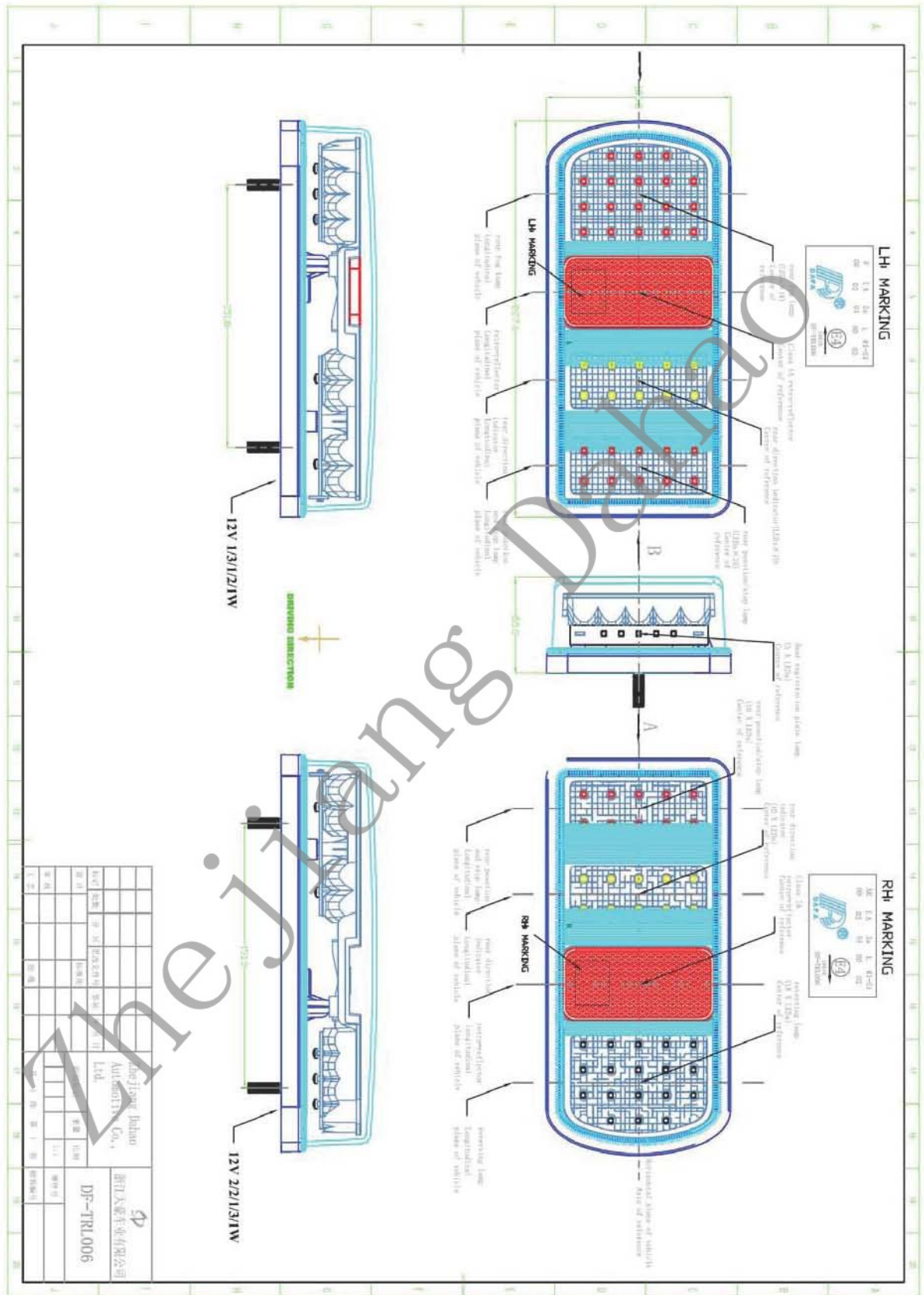
Approval number: E4-4R-00 16616

Extension number: 00

1. Trade name or mark of the device : 
2. Manufacturer's name for the type of device : DF-TRL006
3. Manufacturer's name and address : Zhejiang Dahao Automotive Co., Ltd.  
Xiaotian, Duqiao, Linhai,  
Taizhou City Zhejiang, 317016,  
China
4. If applicable, name and address of manufacturer's representative : --
5. Submitted for approval on : 26 June 2012
6. Technical service responsible for conducting approval tests : DEKRA Certification B.V.
7. Date of report issued by that service : 24 July 2012
8. Number of report issued by that service : 2153159-PHO-12-061-36
9. Concise description :



- Device for illuminating : a tall plate/a wide plate/a plate for agricultural or forestry tractor
- Number and category(ies) of filament lamp(s) : 5 x non replaceable light sources(LED), 12V, 1W
- Light source module : ~~yes~~/no
- Light source module specific identification code : --
- Geometrical conditions of installation (position(s) and inclination(s) of the device in relation to the space to be occupied by the registration plate and/or different inclinations of this space) : See annexed drawing
10. Position of the approval mark : See annexed drawing
11. Reason(s) for extension (if applicable) : --
12. Approval : granted/~~extended/refused/withdrawn~~
13. Place : Zoetermeer
14. Date : 06 - AUG - 2012
15. Signature :
-   
**R.F.R. Clement**
16. The list of documents deposited with the Administrative Service which has granted approval is annexed to this communication and may be obtained on request.
- 2 drawings No.DF-TRL006 and Geometrical conditions of installation (annexed)
  - Test report as mention in item 8.

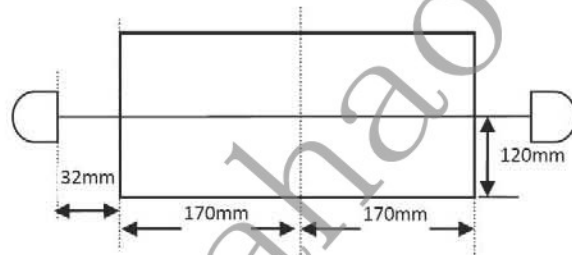
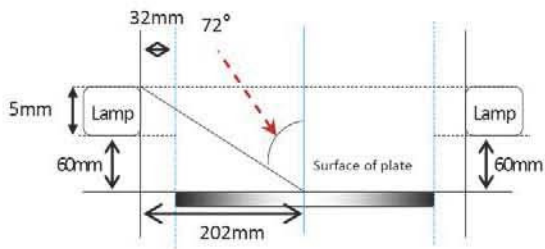


Df	
Dongfeng Auto	
Automotive Co., Ltd.	
东风汽车股份有限公司	
DF-TRL006	
NO.	
DATE	
REVISION	
REVISION	
REVISION	
REVISION	
REVISION	

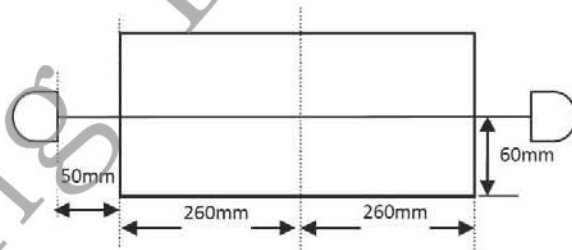
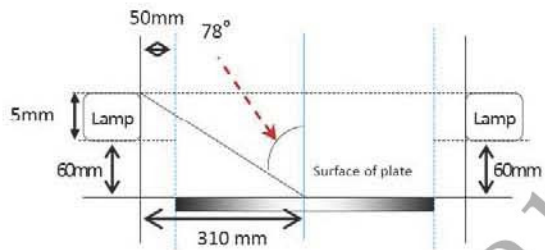


Geometrical conditions of installation

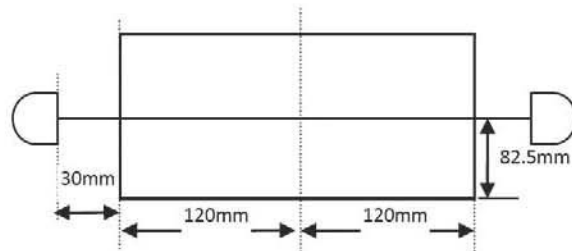
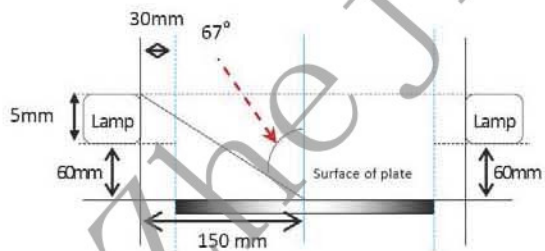
Tall plate



Wide plate



Forestry plate





THE NETHERLANDS  
(N E D E R L A N D)



COMMUNICATION


Concerning:

- approval granted
- ~~approval extended~~
- ~~approval refused~~
- ~~approval withdrawn~~
- ~~production definitely discontinued~~

of a type of direction indicator pursuant to Regulation number 6.

Approval number: E4-6R-01 16616

Extension number: 00

1. Trade name or mark of the device : 
2. Manufacturer's name for the type of device : DF-TRL006
3. Manufacturer's name and address : Zhejiang Dahao Automotive Co., Ltd.  
Xiaotian, Duqiao, Linhai,  
Taizhou City Zhejiang, 317016,  
China
4. If applicable, name and address of the manufacturer's representative : --
5. Submitted for approval on : 26 June 2012
6. Technical service responsible for conducting approval tests : DEKRA Certification B.V.
7. Date of test report issued by that service : 24 July 2012
8. Number of test report issued by that service : 2153159-PHO-12-061-36
9. Concise description :





Category	: 1/1a/1b/2a/2b/3/4/5/6
Number, category	: 10 x non replaceable light sources (LED)
Voltage and wattage	: 12V; 3W
Light source module specific identification code	: --
Only for installation on M1 and/or N1 category vehicles	: <del>yes</del> /no
Only for limited mounting height of equal to or less than 750 mm above the ground	: <del>yes</del> /no
Geometrical conditions of installation and relating variations, if any	: --
Application of an electronic light source control gear/variable intensity control	: --
(a) being part of the lamp	: <del>yes</del> /no
(b) being not part of the lamp	: <del>yes</del> /no
Input voltage(s) supplied by an electronic light source control gear/variable intensity control	: --
Electronic light source control gear/variable intensity control manufacturer and identification number (when the light source control gear is part of the lamp but is not included into the lamp body)	: --
Variable luminous intensity	: <del>yes</del> /no
10. Position of the approval mark	: See annexed drawing
11. Reason(s) for extension (if applicable)	:
12. Approval	: <del>granted/extended/refused/withdrawn</del>
13. Place	: Zoetermeer
14. Date	: 06 - AUG - 2012



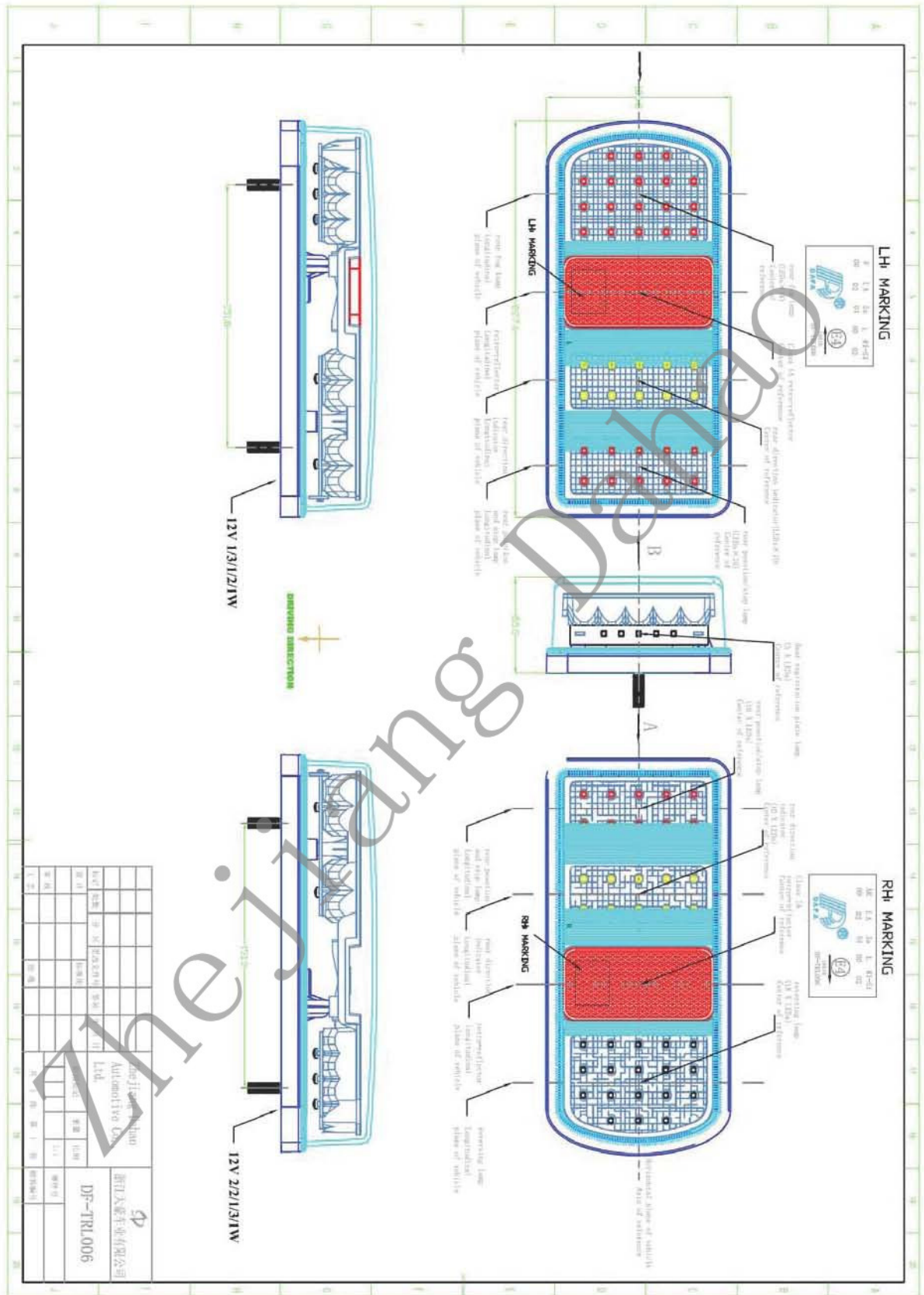
15. Signature :



R.F.R. Clement

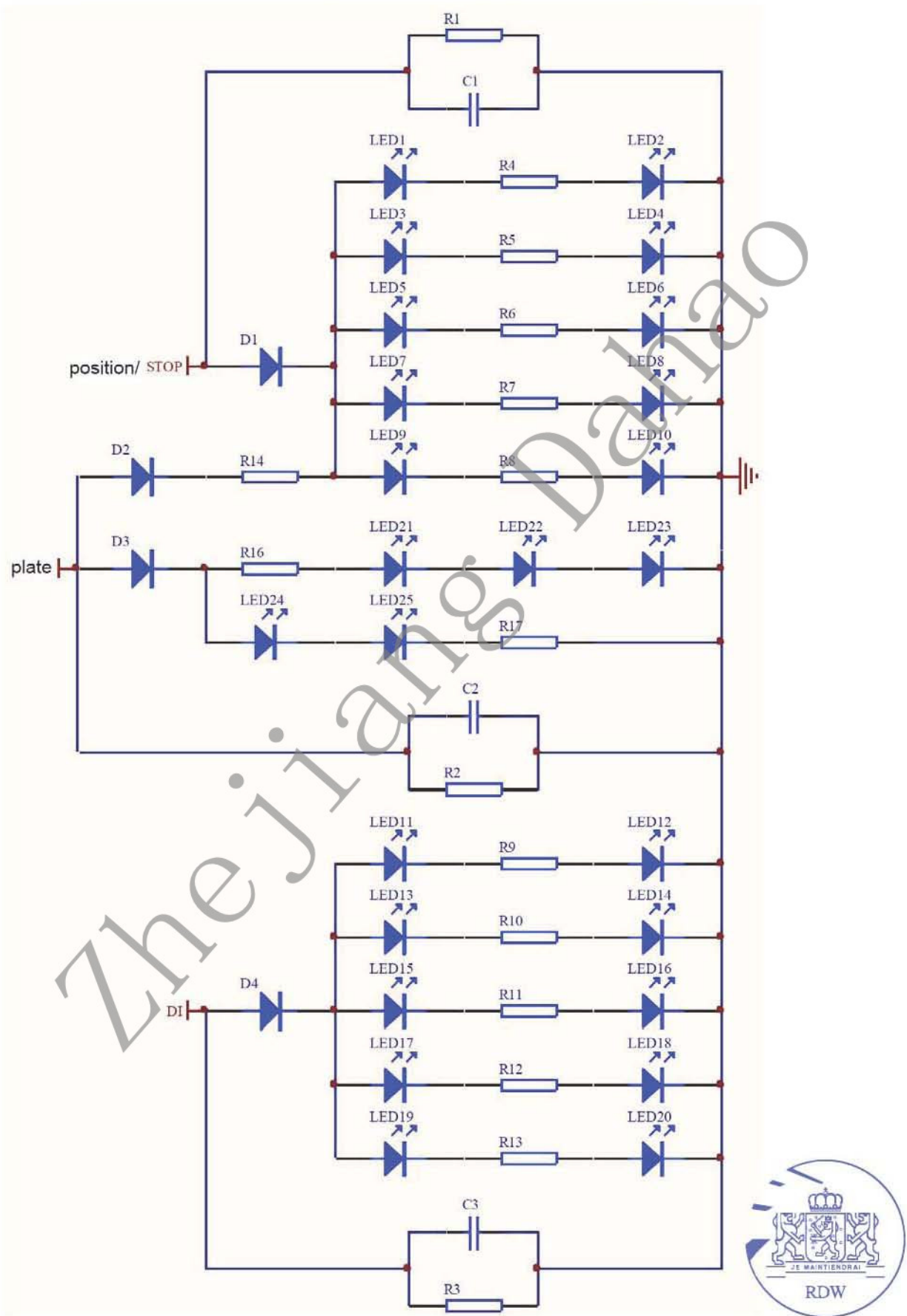
16. The list of documents deposited with the Administrative Service which has granted approval is annexed to this communication and may be obtained on request.

- 3 Drawings: Drawing No.DF-TRL006, DF-TRL006-2 circuit diagram and Determination of the apparent surface (annexed)
- Test report as mentioned in item 8



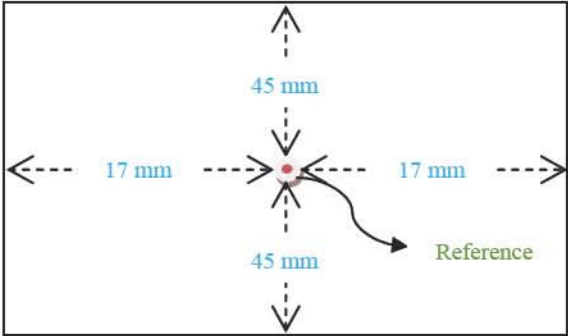
DRAWING NO.TRL006-2 CIRCUIT DIAGRAM

TRL006 rear registration, rear direction indicator, rear position, stop lamp



### Determination of the apparent surface

DF-TR026 Rear Direction Indicator



Zhejiang Dahao





THE NETHERLANDS  
(N E D E R L A N D)



COMMUNICATION


Concerning:

- approval granted
- ~~approval extended~~
- ~~approval refused~~
- ~~approval withdrawn~~
- ~~production definitely discontinued~~

of a type of device pursuant to Regulation number 7.

Approval number: E4-7R-02 16616

Extension number: 00

1. Trade name or mark of the device : 
2. Manufacturer's name for the type of device : DF-TRL006
3. Manufacturer's name and address : Zhejiang Dahao Automotive Co., Ltd.  
Xiaotian, Duqiao, Linhai,  
Taizhou City Zhejiang, 317016,  
China
4. If applicable, name and address of the manufacturer's representative : --
5. Submitted for approval on : 26 June 2012
6. Technical service responsible for conducting approval tests : DEKRA Certification B.V.
7. Date of report issued by that service : 24 July 2012
8. Number of report issued by that service : 2153159-PHO-12-061-36
9. Concise description:
  - 9.1. By category of lamp: R1-S1



- For mounting ~~either outside or inside~~  
~~or both~~ : Outside
- Colour of light emitted : red/~~white~~
- Number, category and kind of light source(s) : 10 x non replaceable light sources(LED)
- Voltage and wattage : 12V; 1W for rear position lamp  
12V; 2W for stop lamp
- Light source module specific identification code : --
- Only for installation on M1 and/or N1 category vehicles : ~~yes~~/no
- Only for limited mounting height of equal to or less than 750 mm above the ground : ~~yes~~/no
- Geometrical conditions of installation and relating variations, if any : --
- Application of an electronic light source control gear/variable intensity control:
- (a) Being part of the lamp : ~~yes~~/no
- (b) Being not part of the lamp : ~~yes~~/no
- Input voltage(s) supplied by an electronic light source control gear/variable intensity control : --
- Electronic light source control gear/variable intensity control manufacturer and identification number (when the light source control gear is part of the lamp but is not included into the lamp body) : --
- Variable luminous intensity : ~~yes~~/no
- 9.2. Function(s) produced by an interdependent lamp forming part of an interdependent lamp system:
- Front position lamp : ~~yes~~/no
- R1 Rear position lamp : ~~yes~~/no
- R2 Rear position lamp : ~~yes~~/no
- S1 Stop lamp : ~~yes~~/no
- S2 Stop lamp : ~~yes~~/no
- S3 Stop lamp : ~~yes~~/no
- S4 Stop lamp : ~~yes~~/no
- End-outline marker lamp : ~~yes~~/no
10. Position of the approval mark : See annexed drawing



11. Reason(s) for extension (if applicable) : --
12. Approval : granted/~~extended~~/~~refused~~/~~withdrawn~~
13. Place : Zoetermeer
14. Date : 06-AUG-2012
15. Signature :



R.F.R. Clement

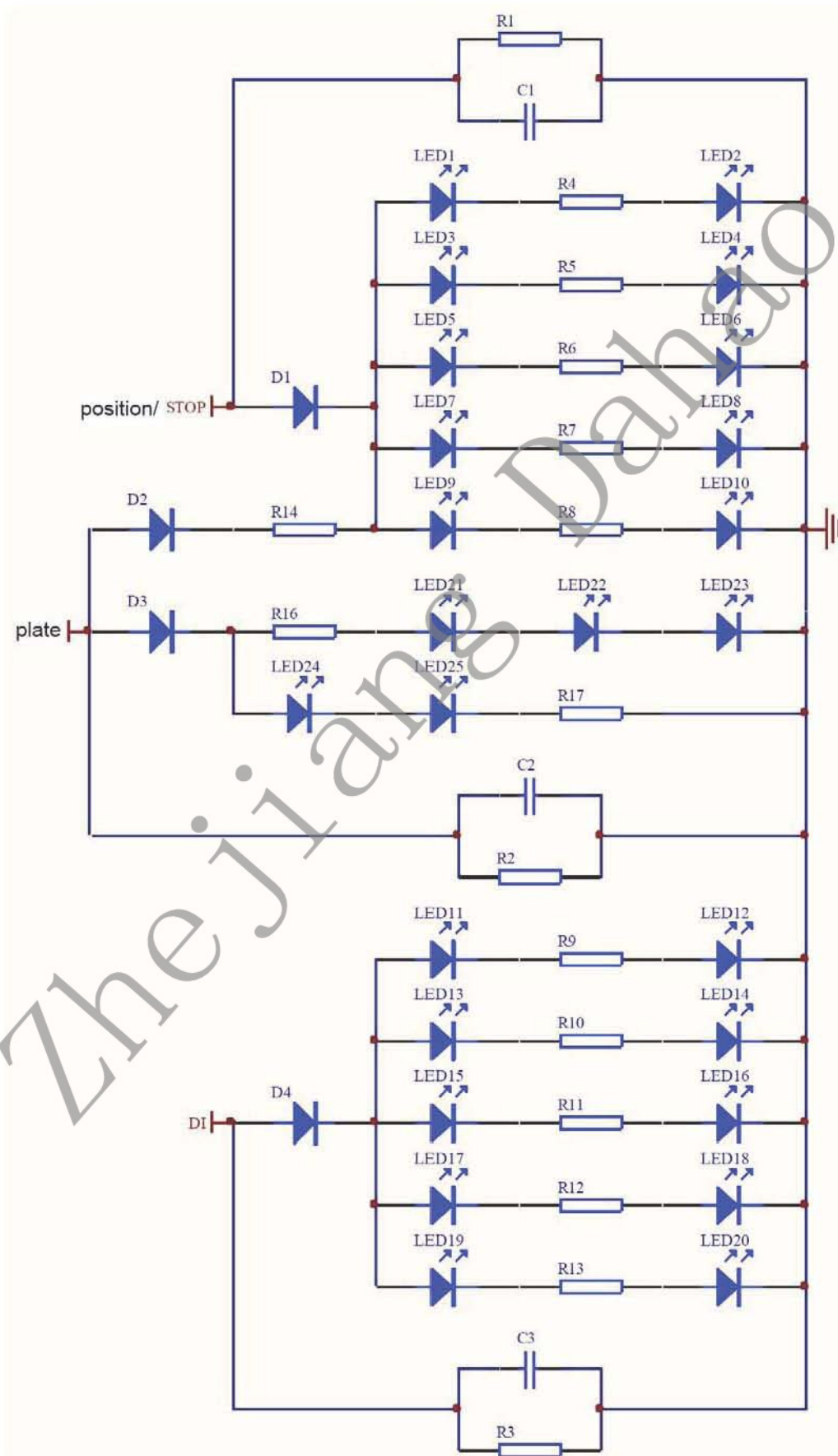
16. The list of documents deposited with the Administrative Service which has granted approval, is annexed to this communication and may be obtained on request.
- 3 drawings No.DF-TRL006, DF-TRL006-2 circuit diagram and Determination of the apparent surface (annexed)
  - Test report as mentioned in item 8.





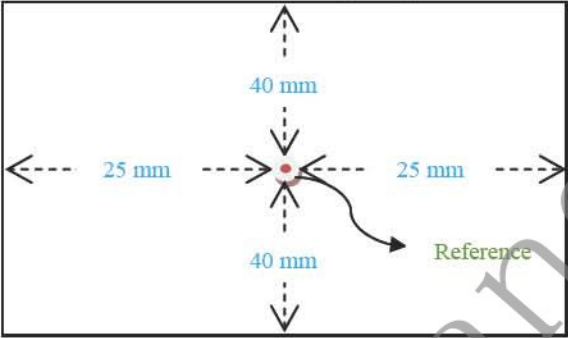
DRAWING NO.TRL006-2 CIRCUIT DIAGRAM

TRL006 rear registration, rear direction indicator, rear position, stop lamp



Determination of the apparent surface

DF-TR026 Rear Position and Stop Lamp





THE NETHERLANDS  
(N E D E R L A N D)



COMMUNICATION


Concerning:

- ~~—approval granted~~
- ~~- approval extended~~
- ~~—approval refused~~
- ~~—approval withdrawn~~
- ~~—production definitely discontinued~~

of a type of reversing lamp pursuant to Regulation number 23.

Approval number: E4-23R-00 16616

Extension number: 00

1. Trade name or mark of the device : 
2. Manufacturer's name for the type of device : DF-TRL006
3. Manufacturer's name and address : Zhejiang Dahao Automotive Co., Ltd.  
Xiaotian, Duqiao, Linhai,  
Taizhou City Zhejiang, 317016,  
China
4. If applicable, name and address of the manufacturer's representative : --
5. Submitted for approval on : 26 June 2012
6. Technical service responsible for conducting approval tests : DEKRA Certification B.V.
7. Date of report issued by that service : 24 July 2012
8. Number of report issued by that service : 2153159-PHO-12-061-36
9. Concise description: Right hand mounted only



- Number, category and kind of light source(s) : 18 x non replaceable light sources (LED)
- Voltage and wattage : 12V; 2W
- Application of an electronic light source control gear:
- (a) Being part of the lamp : ~~yes~~/no
- (b) Being not part of the lamp : ~~yes~~/no
- Input voltage(s) supplied by an electronic light source control gear : --
- Electronic light source control gear manufacturer and identification number (when the light source gear is part of the lamp but is not included into the lamp body) : --
- Light source module : ~~yes~~/no
- Light source module specific identification code : --
- Geometrical conditions of installation and relating variations, if any : --
10. Position of the approval mark : See annexed drawings
11. Comments:
- This device shall be installed on a vehicle only as part of a pair of devices : ~~yes~~/no
12. Reason(s) for extension (if applicable) : --
13. Approval : granted/~~extended/refused/withdrawn~~
14. Place : Zoetermeer
15. Date : 06-AUG-2012
16. Signature :

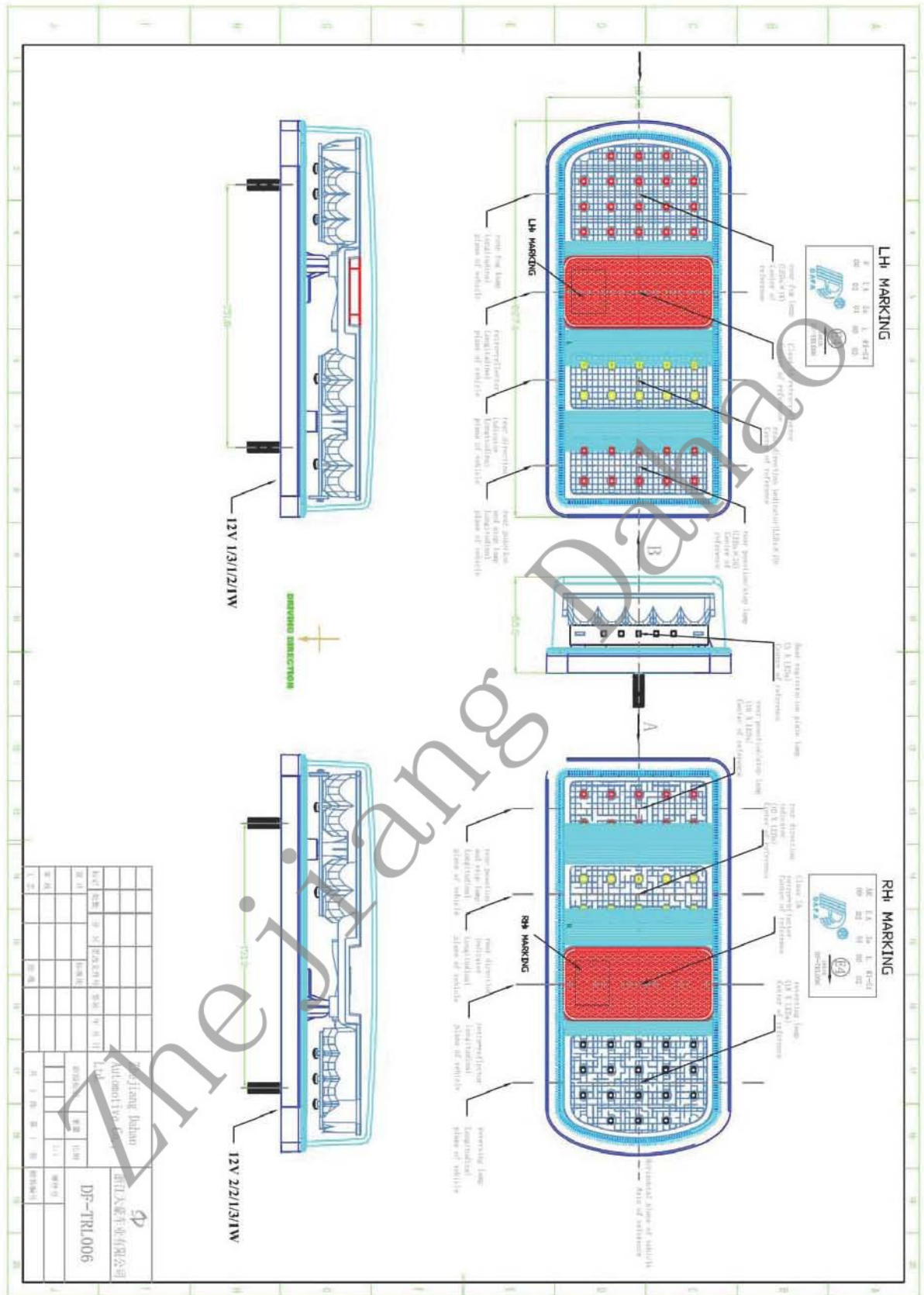


R.F.R. Clement

17. The list of documents deposited with the Administrative Service which has granted approval is annexed to this communication and may be obtained on request.
- 3 Drawings No.DF-TRL006, DF-TRL006-1 and Determination of the apparent surface (annexed)
  - Test report as mentioned in item 8.

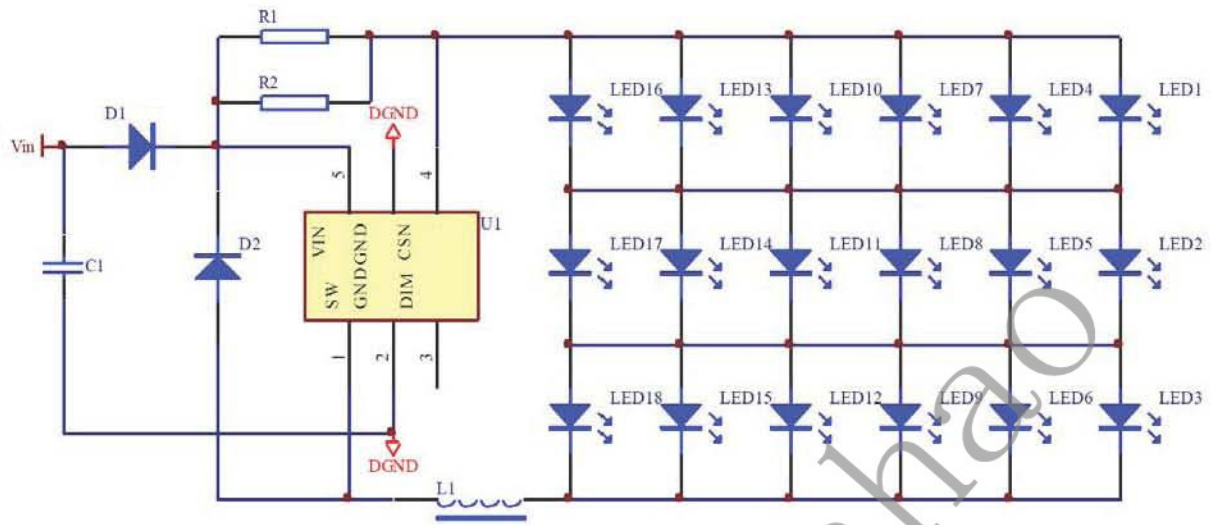
Zhejiang Damao



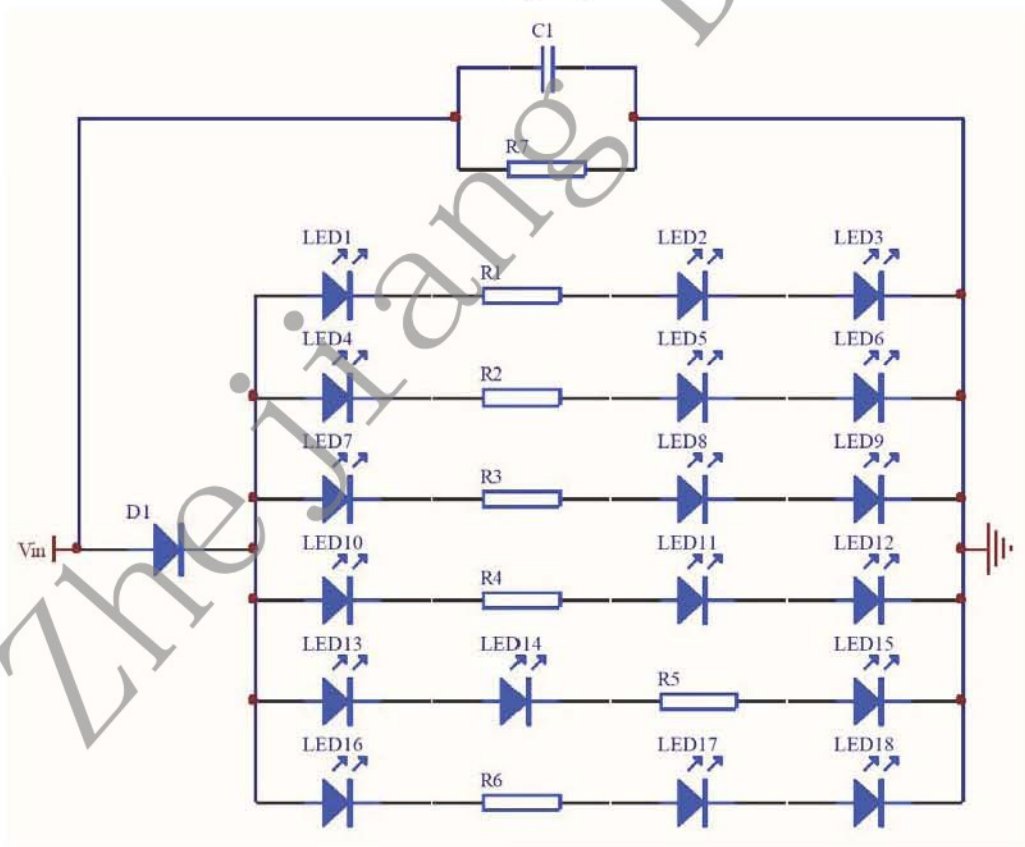


DRAWING NO.TRL006-1 CIRCUIT DIAGRAM

rear fog

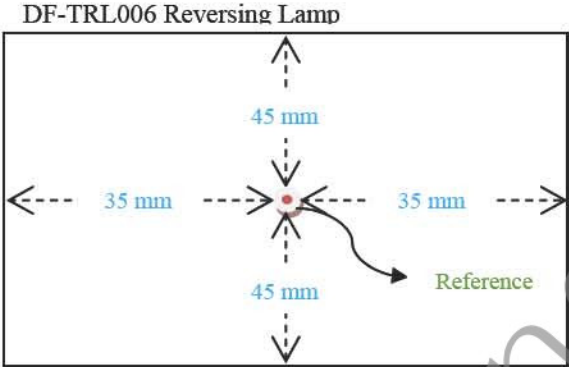


reversing lamp





Determination of the apparent surface



Zhejiang Dahao





THE NETHERLANDS  
(N E D E R L A N D)



COMMUNICATION


Concerning:

- approval granted
- ~~- approval extended~~
- ~~- approval refused~~
- ~~- approval withdrawn~~
- ~~- production definitely discontinued~~

of a type of rear fog lamp for vehicle and their trailers pursuant to Regulation number 38.

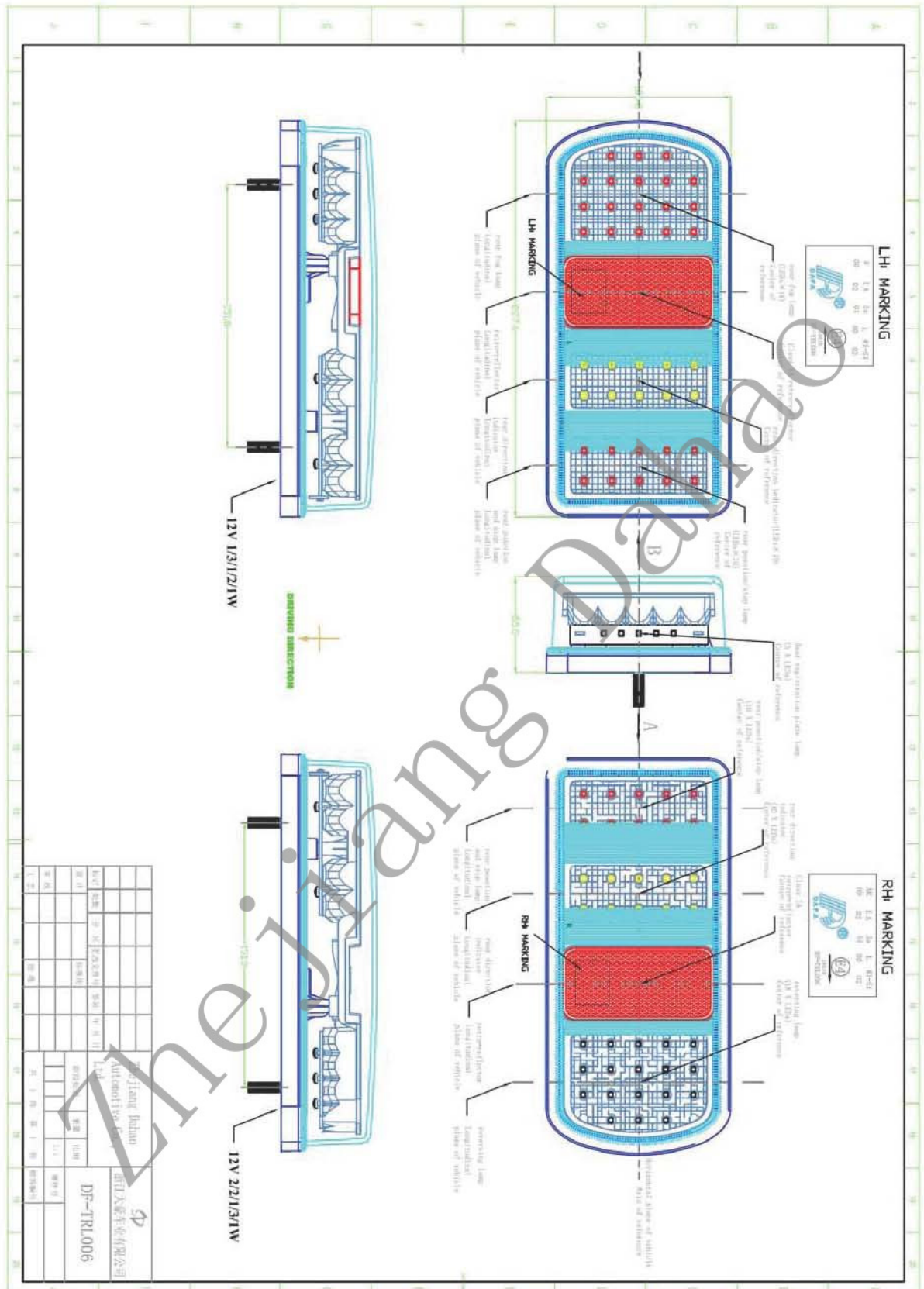
Approval number: E4-38R-00 16616

Extension number: 00

1. Trade name or mark of the device : 
2. Manufacturer's name for the type of device : DF-TRL006
3. Manufacturer's name and address : Zhejiang Dahao Automotive Co., Ltd.  
Xiaotian, Duqiao, Linhai,  
Taizhou City Zhejiang, 317016,  
China
4. If applicable, name and address of the manufacturer's representative : --
5. Submitted for approval on : 26 June 2012
6. Technical service responsible for conducting approval tests : DEKRA Certification B.V.
7. Date of report issued by that service : 24 July 2012
8. Number of reports issued by that service : 2153159-PHO-12-061-36
9. Concise description: Left hand mounted only

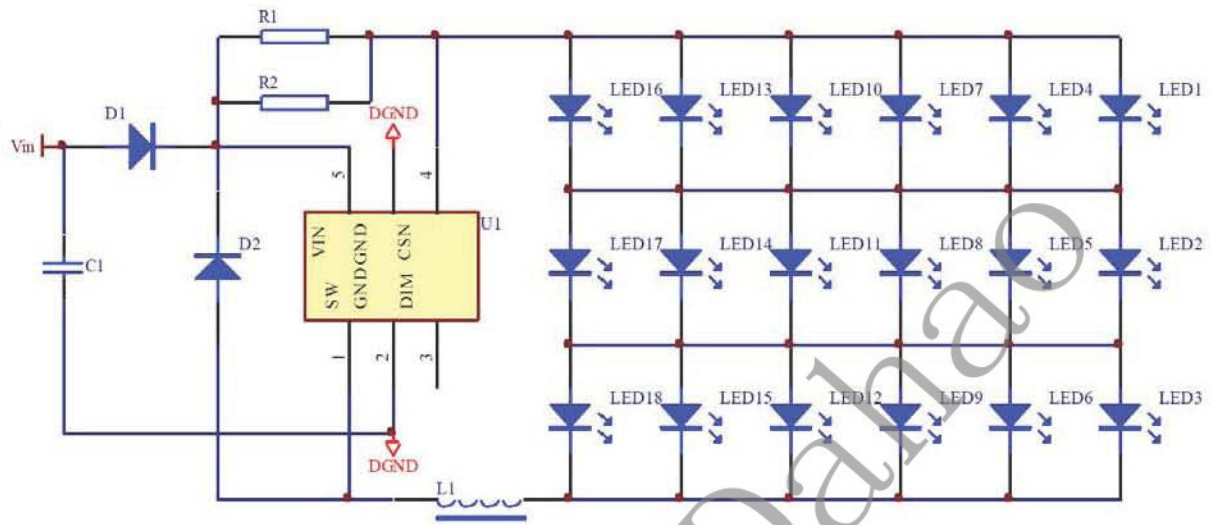


- Number, category and kind of light source(s) : 18 x non replaceable light sources (LED)
- Voltage and wattage : 12V; 1W
- Light source module specific identification code : --
- Geometrical conditions of installation and relating variations, if any : --
- Application of an electronic light source control gear/variable intensity control:
- (a) Being part of the lamp : ~~yes/no~~
- (b) Being not part of the lamp : ~~yes/no~~
- Input voltage(s) supplied by an electronic light source control gear/variable intensity control : --
- Electronic light source control gear/variable intensity control manufacturer and identification number (when the light source control gear is part of the lamp but is not included into the lamp body) : --
- Variable luminous intensity : ~~yes/no~~
10. Position of the approval mark : See annexed drawings
11. Reason(s) for extension (if applicable) : --
12. Approval : ~~granted/extended/refused/withdrawn~~
13. Place : Zoetermeer
14. Date : 06-AUG-2012
15. Signature :  R.F.R. Clement
16. The list of documents deposited with the Administrative Service which has granted approval is annexed to this communication and may be obtained on request.
- 3 Drawings No.DF-TRL006, DF-TRL006-1 circuit diagram and Determination of the apparent surface (annexed)
  - Test report as mentioned in item 8.

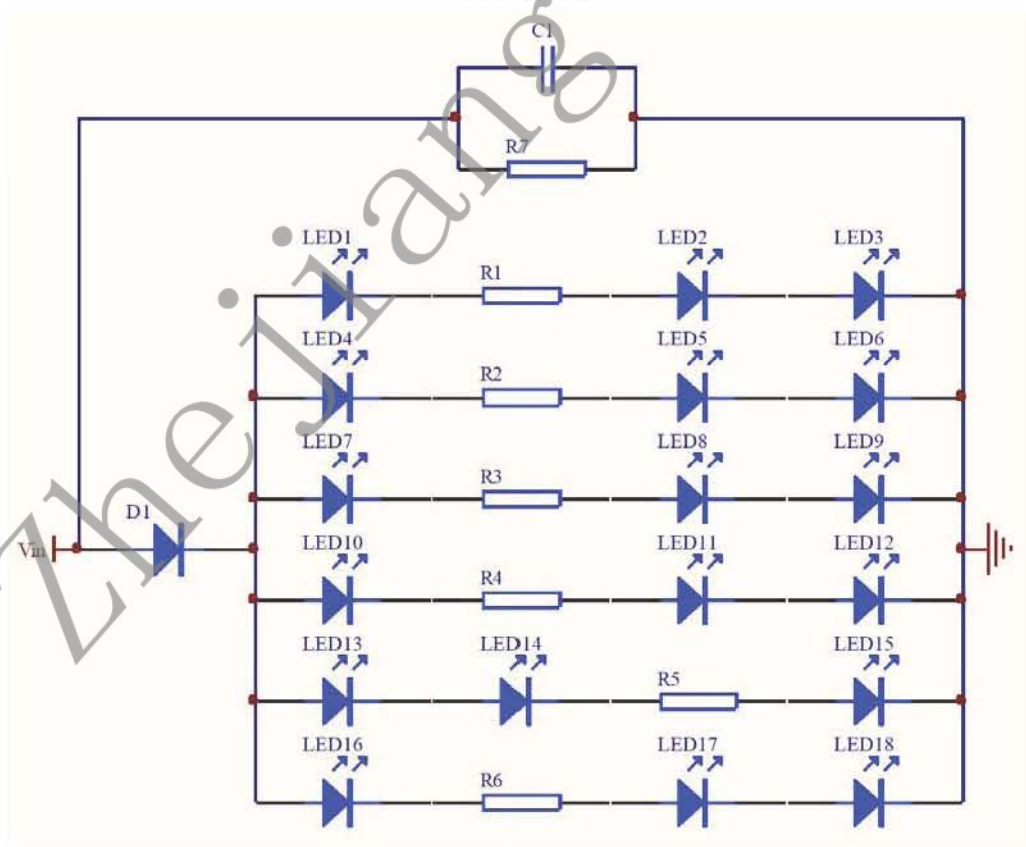


DRAWING NO.TRL006-1 CIRCUIT DIAGRAM

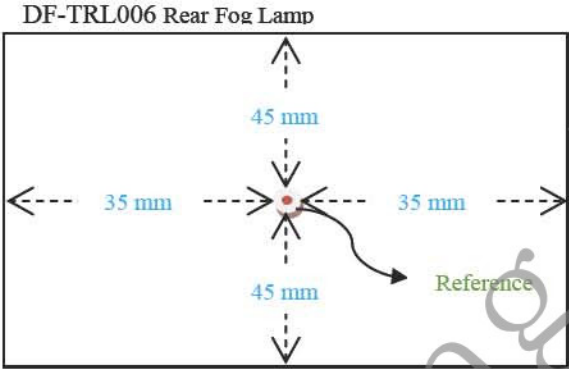
rear fog



reversing lamp



Determination of the apparent surface



Zhejiang Dahao

