



MINISTERIO
DE INDUSTRIA, COMERCIO Y
TURISMO

DIRECCIÓN GENERAL DE INDUSTRIA Y
DE LA PEQUEÑA Y MEDIANA EMPRESA

SUBDIRECCIÓN GENERAL DE
CALIDAD Y SEGURIDAD INDUSTRIAL

E9*38R00/19*22711*01

Página / Page 1/3



COMUNICACIÓN / COMMUNICATION:

Concerniente a ⁽¹⁾: ~~LA CONCESIÓN DE HOMOLOGACIÓN~~
~~LA EXTENSIÓN DE HOMOLOGACIÓN~~
~~LA DENEGACIÓN DE HOMOLOGACIÓN~~
~~LA RETIRADA DE HOMOLOGACIÓN~~
~~EL CESE DEFINITIVO DE PRODUCCIÓN~~

Concerning ⁽¹⁾: ~~APPROVAL GRANTED~~
~~APPROVAL EXTENDED~~
~~APPROVAL REFUSED~~
~~APPROVAL WITHDRAWN~~
~~PRODUCTION DEFINITELY DISCONTINUED~~

de un tipo de luz antiniebla trasera para vehículos a motor y sus remolques en aplicación del Reglamento N° 38.
of a type of rear fog lamps for power-driven vehicles and their trailers pursuant to Regulation No.38.

N° de homologación / Approval No.: E9*38R00/19*22711*01

Extensión N° / Extension No.: 01

1. Marca de fábrica o comercial del dispositivo / Trade name or mark of the device: ORPRO, DEMMON, RAINO
2. Designación del tipo de dispositivo dado por el fabricante / Manufacturer's name for the type of device: SL-5004
3. Nombre y dirección del fabricante / Manufacturer's name and address:
Guangzhou Huiguang Intelligent Technology Co.,Ltd.
Building B, No.3 Donghui Road, Jinghu Industrial Park, Xinya Street, Huadu District, Guangzhou, Guangdong Province, China 510805
4. En su caso, nombre y dirección del representante del fabricante / If applicable, name and address of manufacturer's representative: ---
5. Dispositivo presentado a homologación el / Submitted for approval on: 01/08/2019
6. Servicio técnico encargado de los ensayos de homologación / Technical service responsible for conducting approval test: IDIADA
7. Fecha del informe emitido por dicho servicio / Date of report issued by that service: 15/08/2019
8. Número del informe emitido por dicho servicio / Number of report issued by that service: CN19010122, **CN19080308**

⁽¹⁾ Táchese lo que no proceda / Strike out what does not apply



E9*38R00/19*22711*01

Página / Page 2/3



9. Breve descripción / *Concise description:*

- Número, categoría(s) y tipo de la(s) fuente(s) luminosa(s) / *Number, category and kind of light source(s):*
8 x LEDs
- Voltaje y potencia / *Voltage and wattage:* 12/24V, 4.7W
- Código de identificación específico del módulo de fuente de luz / *Light source module specific identification code:* ---
- Condiciones geométricas de instalación y variaciones relacionadas, en su caso / *Geometrical conditions of installation and relating variations, if any:* ---
- Aplicación de una guía de control electrónica/control de intensidad variable de la fuente luminosa / *Application of an electronic light source control gear/variable intensity control:* ---
 - a) formando parte de la luz / *being part of the lamp:* ~~si/yes~~ ~~no/no~~⁽¹⁾
 - b) no formando parte de la luz / *being not part of the lamp:* ~~si/yes~~ ~~no/no~~⁽¹⁾
- Tensión(es) de entrada suministrada(s) por la guía de control electrónica/control de intensidad variable de la(s) fuente(s) luminosa(s) / *Input voltage(s) supplied by an electronic light source control gear/variable intensity control:* ---
- Fabricante de la guía de control electrónica/control de intensidad variable de la(s) fuente(s) luminosa(s) y número de identificación (cuando la guía de control de la fuente luminosa forma parte de la luz pero no está incluida en el cuerpo de la luz) / *Electronic light source control gear/variable intensity control manufacturer and identification number (when the light source control gear is part of the lamp but is not included into the lamp body):* ---
- Intensidad luminosa variable / *Variable luminous intensity:* ~~si/yes~~ - no / no⁽¹⁾
- La luz es sólo para uso en un vehículo equipado con un testigo que indique el fallo / *The lamp is only for use on a vehicle fitted with a tell-tale indicating failure:* ~~si/yes~~ - no / no⁽¹⁾

⁽¹⁾ Táchese lo que no proceda / *Strike out what does not apply*



E9*38R00/19*22711*01

Página / Page 3/3



10. Posición de la marca de homologación / *Position of the approval mark*: Ver documentación suministrada por el fabricante / *See documentation supplied by the manufacturer*.
11. Motivos de la extensión (en su caso) / *Reason(s) of extension (if applicable)*: Ver informe de ensayo nº / *See test report No.* CN19080308
12. ~~Se concede/deniega/ extiende/retira~~ la homologación ⁽¹⁾ / *Approval ~~granted/refused/extended/withdrawn~~* ⁽¹⁾
13. Lugar / *Place*: Madrid
14. Fecha / *Date*: Ver firma electrónica / *See electronic signature*
15. Firma / *Signature*:

EL SUBDIRECTOR GENERAL DE CALIDAD Y SEGURIDAD INDUSTRIAL
Resolución P.D. del DIRECTOR GENERAL DE INDUSTRIA Y DE LA PYME de 25-10-2012

16. Se adjunta la lista de apartados que constituyen el expediente de homologación depositado en el servicio administrativo que ha concedido la homologación y que pueden ser obtenidos a petición. / *The list of documents deposited with the Administrative Service which has granted approval is annexed to this communication and may be obtained on request.*
 - Informe del ensayo / *Test report*
 - Documentación suministrada por el fabricante / *Documentation supplied by the manufacturer*

⁽¹⁾ Táchese lo que no proceda / *Strike out what does not apply*

**INFORME N° / REPORT No. CN19080308**

RELATIVO A LA HOMOLOGACIÓN DE LAS LUCES ANTINEBLA TRASERAS PARA LOS VEHÍCULOS A MOTOR Y SUS REMOLQUES SEGÚN LAS PRESCRIPCIONES DEL REGLAMENTO ECE 38.00 / *CONCERNING THE APPROVAL OF REAR FOG LAMPS FOR POWER-DRIVEN VEHICLES AND THEIR TRAILERS ACCORDING TO REGULATION 38.00 ECE*

EXTENSIÓN / EXTENSION I

Nombre y dirección del fabricante / *Manufacturer's name and address* : Guangzhou Huiguang Intelligent Technology Co., Ltd.
Building B, No.3 Donghui Road, Jinghu Industrial Park, Xinya Street, Huadu District, Guangzhou, Guangdong Province, P. R. China 510805

Marca comercial / *Trade mark* : ORPRO, DEMMON, RAINO

Tipo / *Type* : SL-5004

Lugar y fecha de emisión del informe / *Place and date of test report issue* : L'Albornar, Santa Oliva (Tarragona)
15/08/2019

CONCLUSIONES / *CONCLUSIONS*: as modificaciones introducidas, que se detallan en el Anexo a este Informe, son objeto de extensión de homologación respecto al tipo homologado por este servicio (Informe N° CN19010122) **CUMPLE** las prescripciones relativas a la homologación de las luces antiniebla traseras de categoría F1 en aplicación del Reglamento ECE 38.00 según se detalla en el anexo que se adjunta a este informe. / *Modifications introduced, as detailed in the Annex attached to this report, are extension of homologation with respect to formerly certified type performed by this technical department (Test Report No. CN19010122) FULFILLS the prescriptions with regard to the approval of rear fog lamps of category F1 in application to Regulation 38.00 ECE as detailed in the annex to this report.*

Realizado por / *Performed by:*

Joan Fonts Sala
INGENIERO DE ENSAYOS
TEST ENGINEER

V. B° / *Revised by:*

Lluís Sans Gomis
JEFE DE DEPARTAMENTO
DEPARTMENT MANAGER

* LOS RESULTADOS PRESENTADOS SE REFIEREN ÚNICAMENTE A LA MUESTRA ENSAYADA.
THE PRESENTED RESULTS REFER ONLY TO THE TESTED SAMPLE

* QUEDA TERMINANTEMENTE PROHIBIDA LA REPRODUCCIÓN PARCIAL DE ESTE INFORME SIN PERMISO EXPRESO DE IDIADA.
THE PARTIAL REPRODUCTION OF THIS REPORT WITHOUT THE PERMISSION OF IDIADA IS COMPLETELY FORBIDDEN

**ANEXO AL INFORME
ANNEX TO THE REPORT**

RELATIVO A LA HOMOLOGACIÓN DE LAS LUCES ANTINEBLA TRASERAS PARA LOS VEHÍCULOS A MOTOR Y SUS REMOLQUES SEGÚN LAS PRESCRIPCIONES DEL REGLAMENTO ECE 38.00 / *CONCERNING THE APPROVAL OF REAR FOG LAMPS FOR POWER-DRIVEN VEHICLES AND THEIR TRAILERS ACCORDING TO REGULATION 38.00 ECE*

Nombre y dirección del fabricante /
Manufacturer's name and address : Guangzhou Huiguang Intelligent Technology Co., Ltd.
Building B, No.3 Donghui Road, Jinghu Industrial Park, Xinya Street, Huadu District, Guangzhou, Guangdong Province, P. R. China 510805

Marca comercial / *Trade mark* : ORPRO, DEMMON, RAINO

Tipo / *Type* : SL-5004

Variantes / *Variants* : SL-5004-L, SL-5004-R, DM-800160, DM-800161
RH-800160, RH-800161

Identificación de las muestras /
Sample identification : CN19080308

Luz / *Lamp* : Simple / *Single* (2.16.1 (a) R.48)

Número y categoría(s) de la(s) fuente(s) luminosa(s) /
Light source(s) number and category(ies) : 8x LEDs

Módulo de fuente luminosa /
Light source module * : ~~Sí / Yes~~ - No / No

Código específico de identificación del módulo de fuente luminosa /
Light source module specific identification code: ----

* Táchese lo que no proceda / *Strike out what does not apply*

MOTIVOS DE LA EXTENSIÓN / REASONS OF EXTENSION

Añadir solicitante, nuevas variantes(DM-800160, DM-800161, RH-800160, RH-800161) y marcas(DEMMON, RAINO). /*Add applicant, new variants(DM-800160, DM-800161, RH-800160, RH-800161) and new trade marks(DEMMON, RAINO).*

Lugar / *Place*: L'Albornar, Santa Oliva (Tarragona)
Fecha / *Date*: 15/08/2019


Joan Fonts Sala
INGENIERO DE ENSAYOS
TEST ENGINEER

* LOS RESULTADOS PRESENTADOS SE REFIEREN ÚNICAMENTE A LA MUESTRA ENSAYADA.
THE PRESENTED RESULTS REFER ONLY TO THE TESTED SAMPLE

* QUEDA TERMINANTEMENTE PROHIBIDA LA REPRODUCCIÓN PARCIAL DE ESTE INFORME SIN PERMISO EXPRESO DE IDIADA.
THE PARTIAL REPRODUCTION OF THIS REPORT WITHOUT THE PERMISSION OF IDIADA IS COMPLETELY FORBIDDEN




DOCUMENTACIÓN TÉCNICA /
TECHNICAL DOCUMENTATION

INFORMATION FOLDER

FIRST APPLICATION DATE: 05/20/2019

FIRST EXTENSION DATE: 01/08/2019

1. Specification data

| | | | | | | | |
|-------------------------------------|---------------|--|--|--|--------------------------------------|---------------------------------------|-----------------|
| Type | | SL-5004 | | | | | |
| Trade name or mark | |  (ORPRO) ,  (DEMMON),  (RAINO) | | | | | |
| Variants | | SL-5004-L, SL-5004-R <u>DM-800160, DM-800161</u> <u>RH-800160, RH-800161</u> | | | | | |
| Function | | Stop lamp | Rear position lamp | Rear direction indicator | Reverse lamp | Rear fog lamp | Retro-reflector |
| Emitted colour | | Red | Red | Amber | White | Red | Red |
| Number and category of light source | | 8x LED, Non-replaceable light source | 36 x LED, Non-replaceable light source | 16 x LED, Non-replaceable light source | 6x LED, Non-replaceable light source | 8 x LED, Non-replaceable light source | /// |
| Rated | Voltage | 12V/24V | 12V/24V | 12V/24V | 12V/24V | 12V/24V | /// |
| | Wattage | 1.5W | 4.6W | 6.1W | 2.3W | 4.7W | /// |
| Applicable Regulation (ECE) | | R7 Cat. S1 | R7 Cat.R1 | R6 Cat.2a | R23 Cat. AR | R38 Cat. F1 | R3 Cat. IA |
| Location of marking | Trade mark | Marked on Lens | | | | | |
| | Approval mark | Marked on Lens | | | | | |

2. Construction and material

| Construction | Material | Remarks |
|-------------------|--------------------------------|---|
| Lens | PC | Clear |
| Inner lens | PC | Stop:Red; Tail:Red; D.I: Amber Fog:Red |
| Housing | PC | Black |
| Electrical wiring | Copper covered with insulation | --- |

CN19080308

IDIADA

3. Name and address of applicant

DEMMON OTO YEDEK PARCA IC VE DIS TIC LTD. STI.
Batikoy Mah. Ibrahimzade Cad. Akkor Sok. No:8 Yesilada
Konutlari A Blok D.2 Sinanoba Buyukcekmece-Istanbul,
TURKEY

4. Name and address of manufacturer

Guangzhou Huiguang Intelligent Technology Co., Ltd.
Building B, No.3 Donghui Road, Jinghu Industrial Park, Xinya
Street, Huadu District, Guangzhou, Guangdong Province, P. R.
China 510805

5. Reason of extension

Add applicant, new variants and new trade marks.

NOTE: APPROVAL MARKINGS ARE SHOWN IN THE ATTACHED DRAWINGS.
THIS INFORMATION FOLDER CONSISTS OF **17** PAGES.



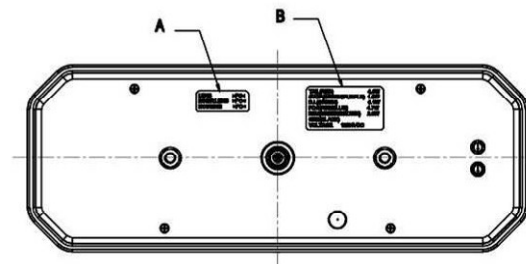
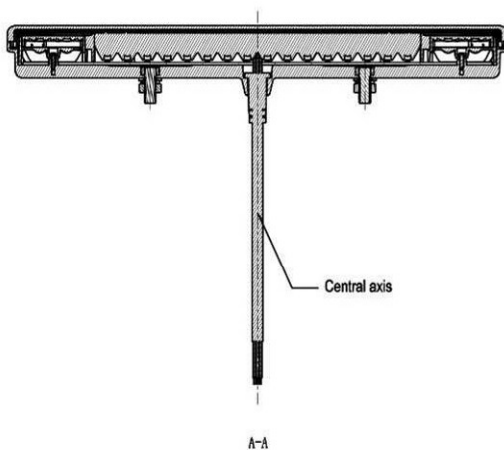
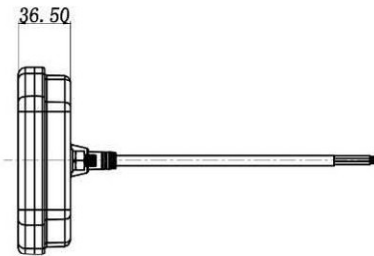
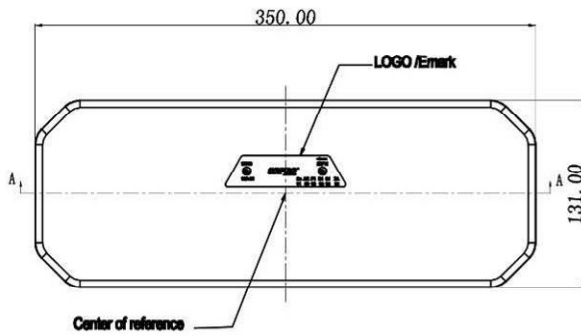
LOGO /Emark
4:1

LENS >PC<
INNER LENS >PC<
HOUSING >PC<

A
4:1

| | |
|--------------------|----------|
| TAIL(RED) | 4.6W |
| STOP(GREEN/PURPLE) | 1.5W |
| D.I.(GREEN) | 6.1W |
| FOG(RED/BLUE) | 4.7W |
| REV(GREEN/BROWN) | 2.3W |
| GND(BLACK) | |
| VOLTAGE | 12/24VDC |

B
4:1



Specification:
1.Functions: Tail/Stop/Direction indicator/ Rear fog/Reversing/Reflec;
2.Input Voltage: 12/24V

SL-5004-L



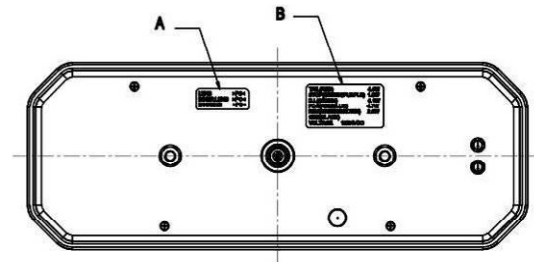
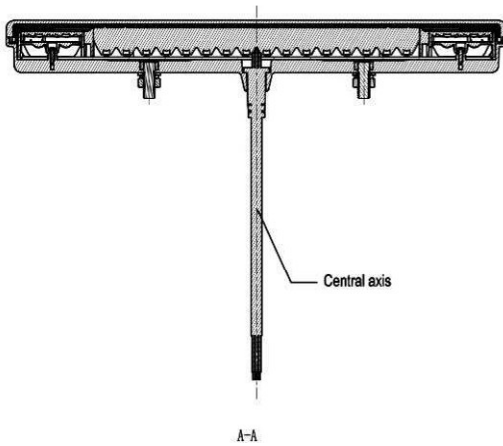
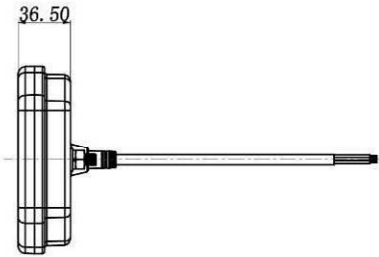
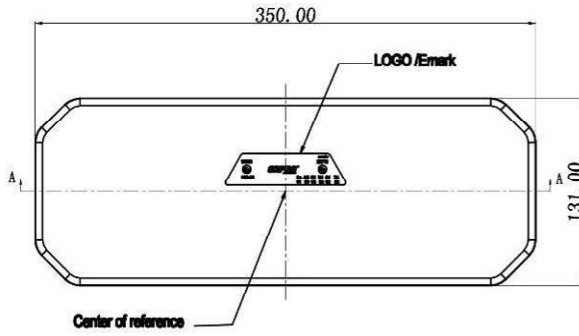
LOGO /Emark
4:1

LENS >PC<
INNER LENS >PC<
HOUSING >PC<

| | |
|---------------------|----------|
| TAIL (RED) | 4.6W |
| STOP (GREEN/PURPLE) | 1.5W |
| D.I. (GREEN) | 6.1W |
| FOG (RED/BLUE) | 4.7W |
| REV (GREEN/BROWN) | 2.3W |
| GND (BLACK) | |
| VOLTAGE | 12/24VDC |

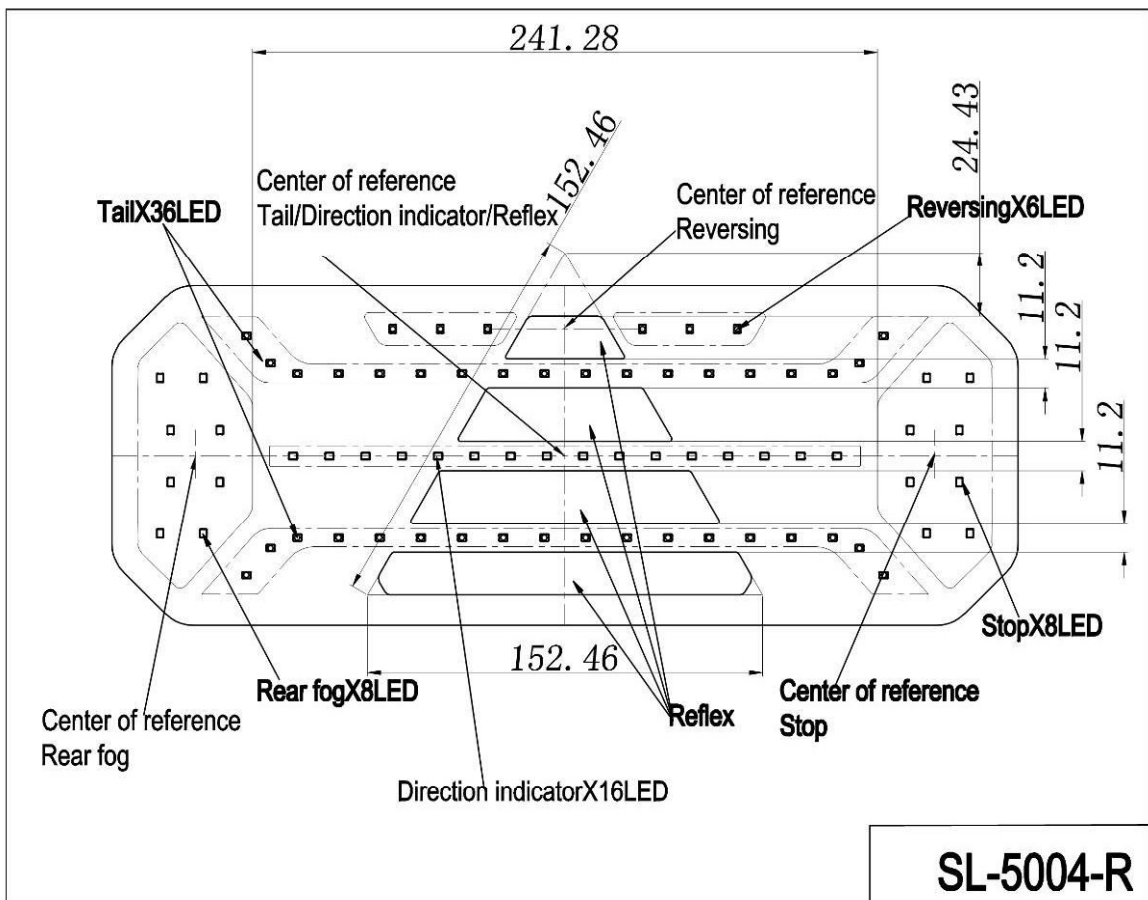
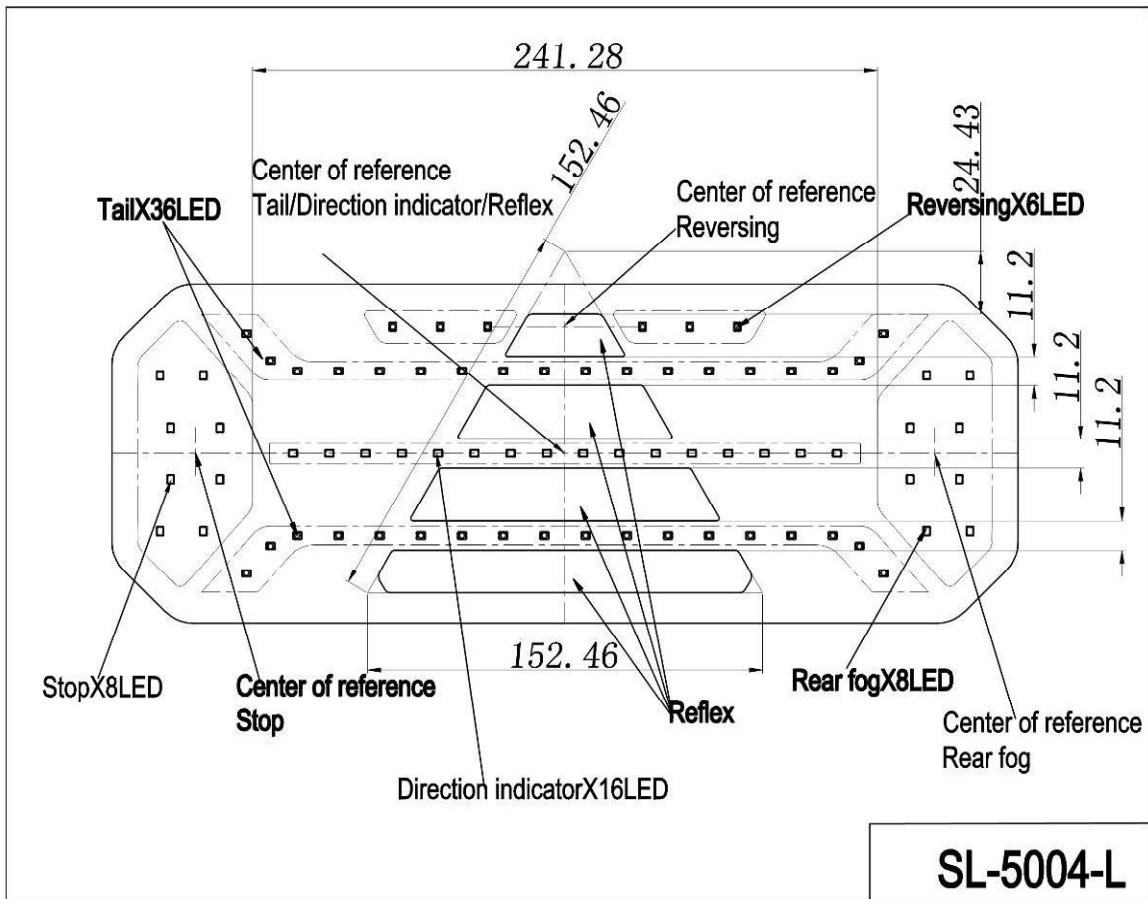
A
4:1

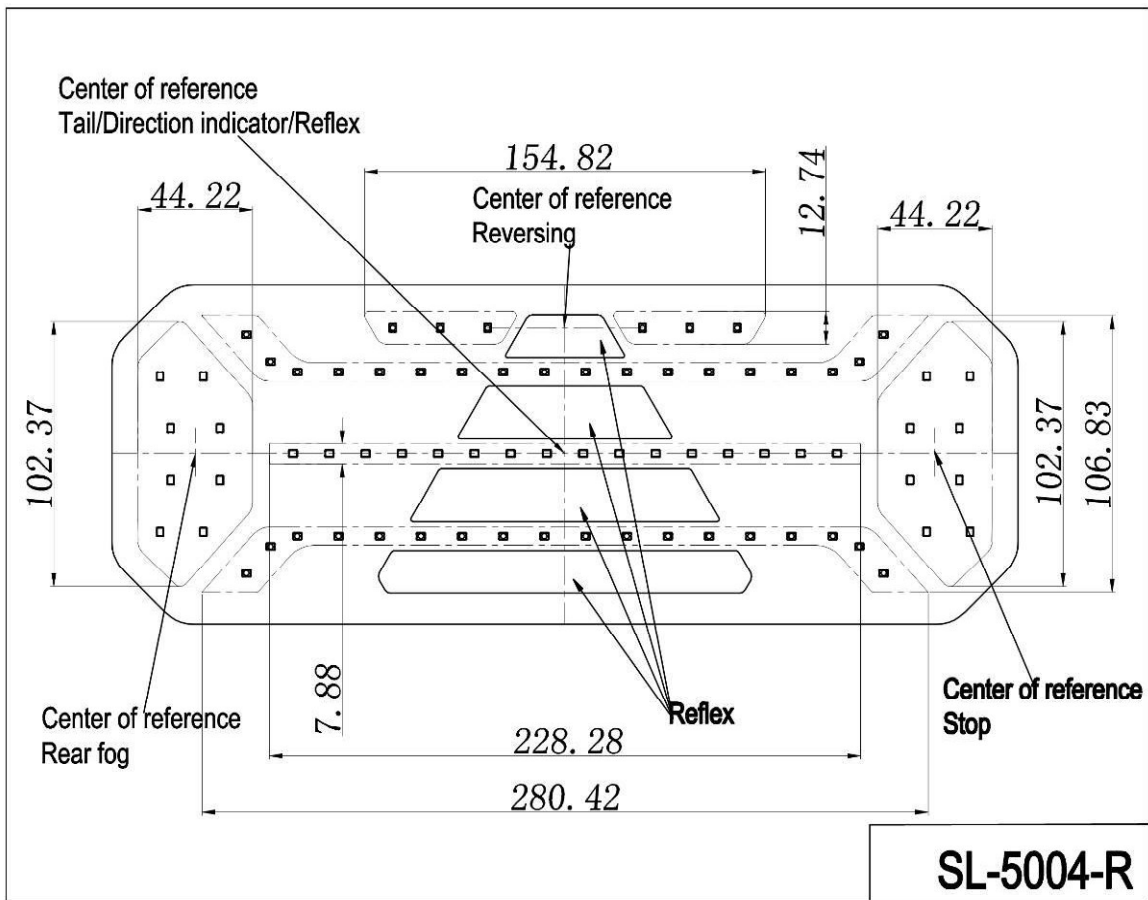
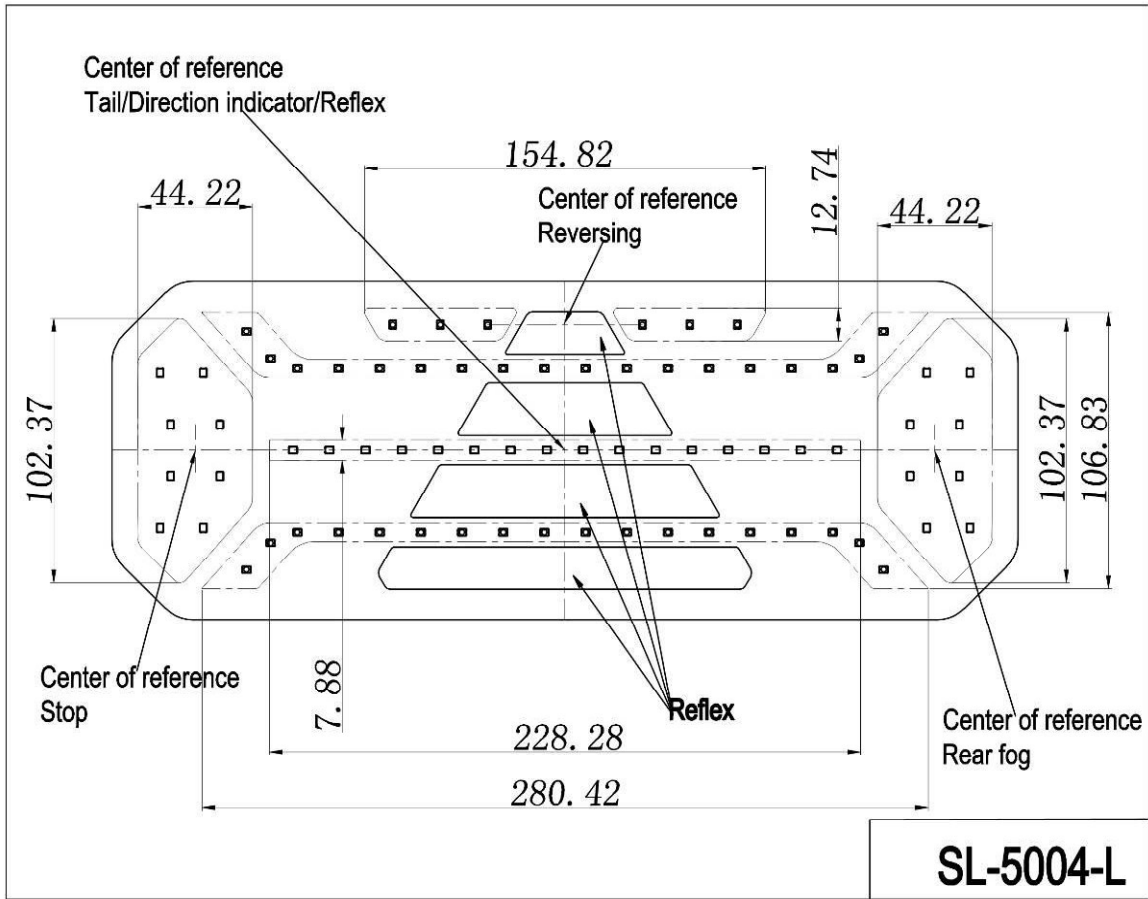
B
4:1

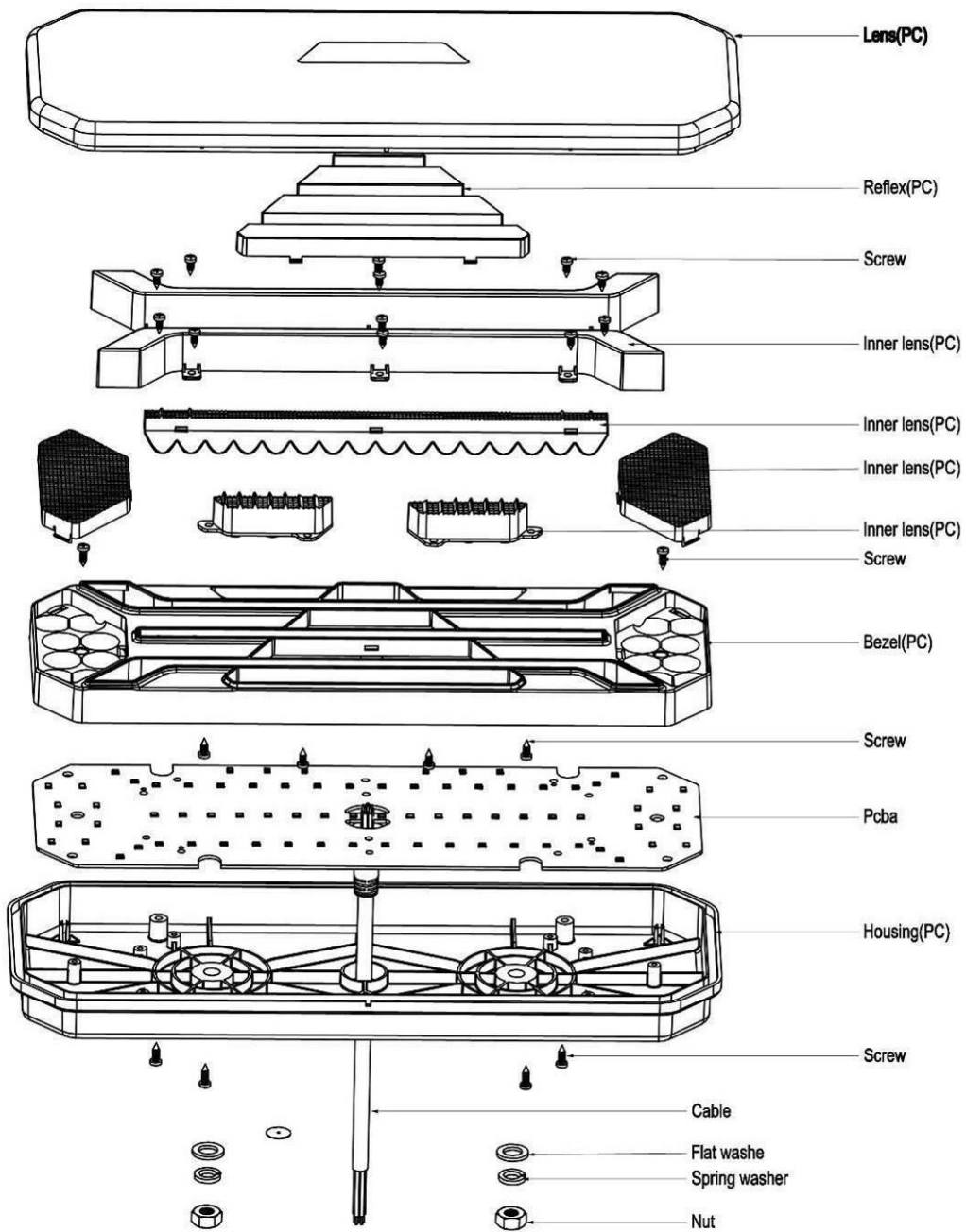


Specification:
1.Functions: Tail/Stop/Direction indicator/ Rear fog/Reversing/Reflex;
2.Input Voltage: 12/24V

SL-5004-R

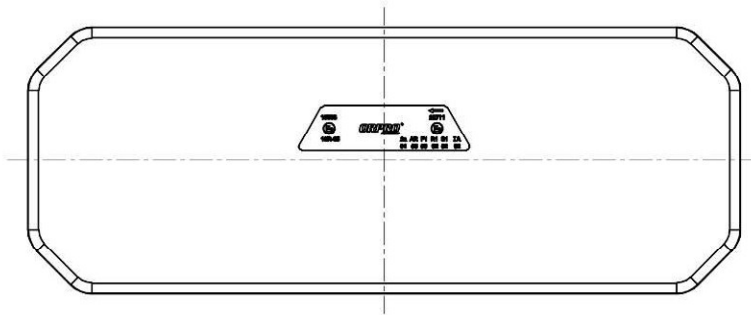




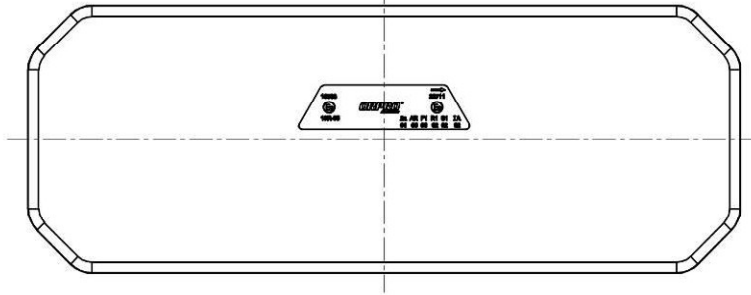


SL-5004

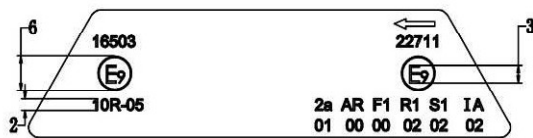
SL-5004-L



SL-5004-R



SL-5004



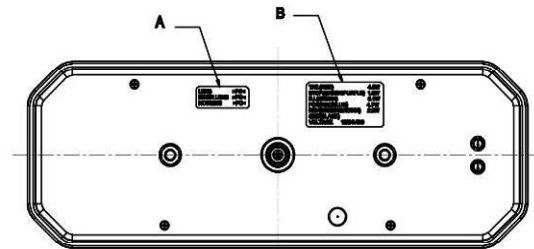
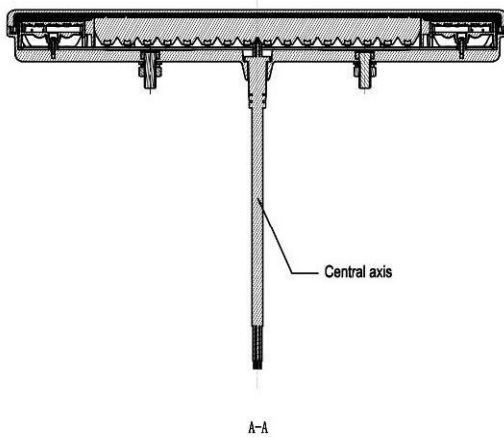
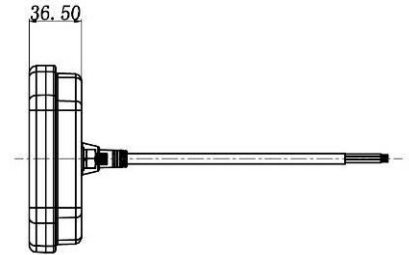
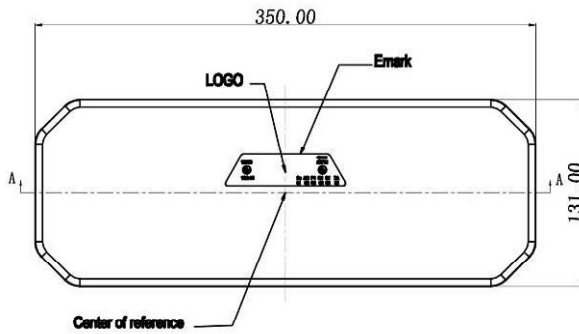
LENS >PC<
 INNER LENS >PC<
 HOUSING >PC<

| | |
|--------------------|----------|
| TAIL(RED) | 4.6W |
| STOP(GREEN/PURPLE) | 1.5W |
| D.I.(GREEN) | 6.1W |
| FOG(RED/BLUE) | 4.7W |
| REV(GREEN/BROWN) | 2.3W |
| GND(BLACK) | |
| VOLTAGE | 12/24VDC |

Emerk
4:1

A
4:1

B
4:1



Specification:
 1.Functions: Tail/Stop/Direction Indicator/ Rear fog/Reversing/Reflex;
 2.Input Voltage: 12/24V

DM-800160



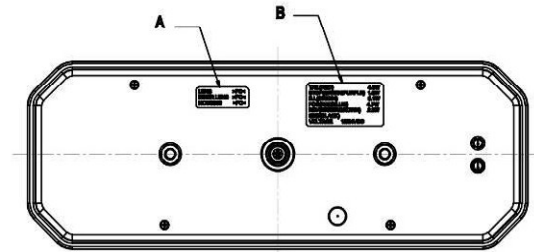
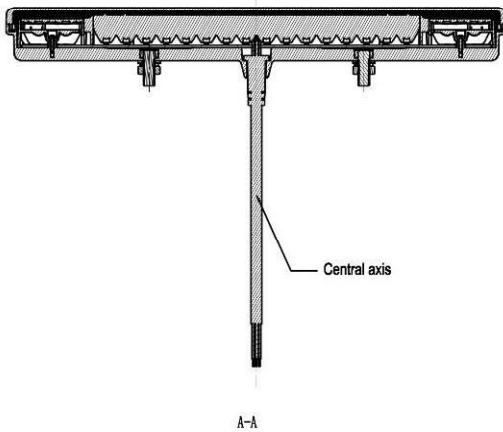
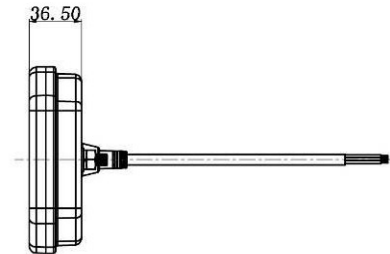
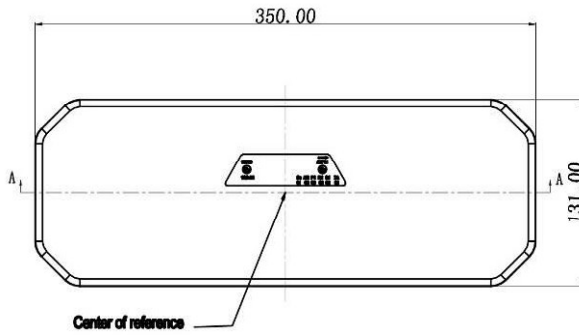
Emark
4:1

LENS >PC<
INNER LENS >PC<
HOUSING >PC<

| | |
|---------------------|----------|
| TAIL (RED) | 4.6W |
| STOP (GREEN/PURPLE) | 1.5W |
| D.I. (GREEN) | 6.1W |
| FOG (RED/BLUE) | 4.7W |
| REV (GREEN/BROWN) | 2.3W |
| GND (BLACK) | |
| VOLTAGE | 12/24VDC |

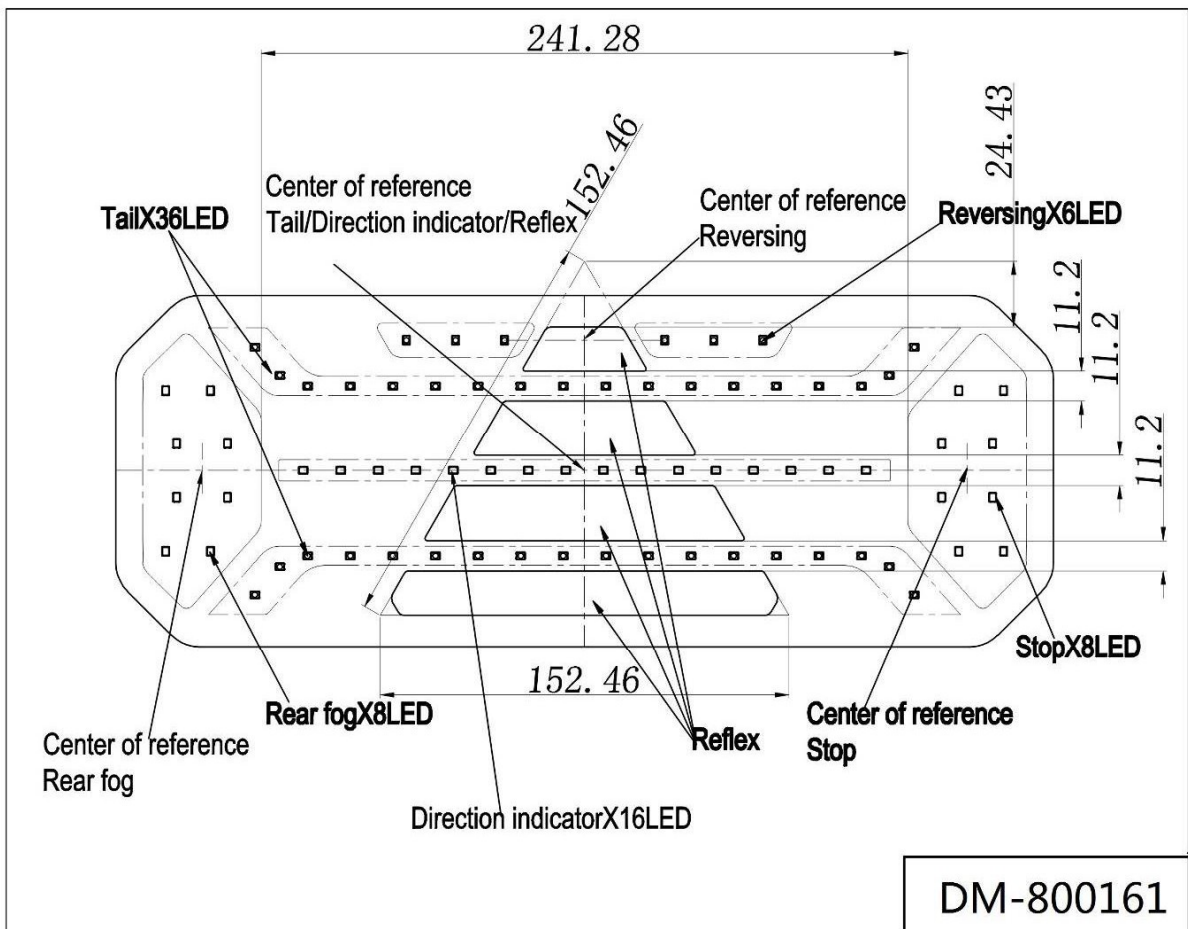
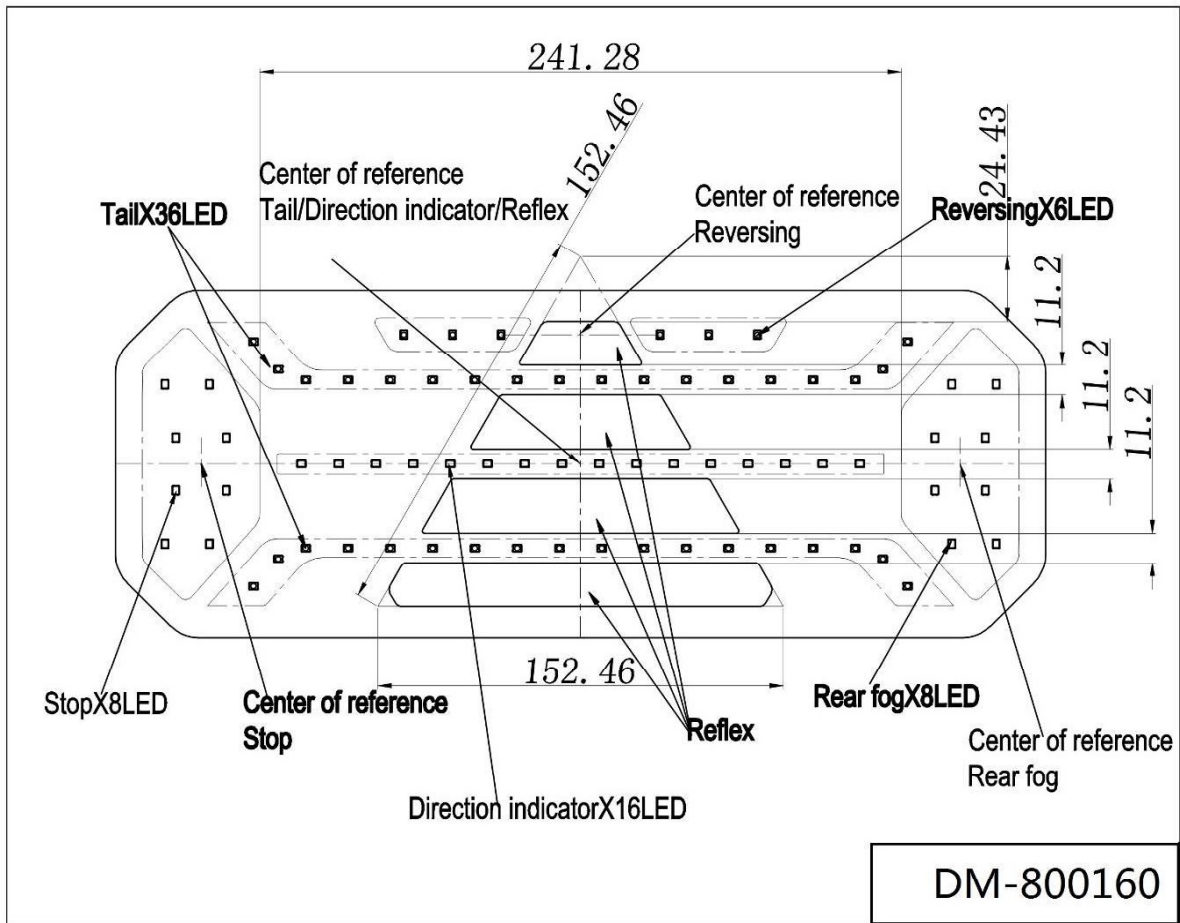
A
4:1

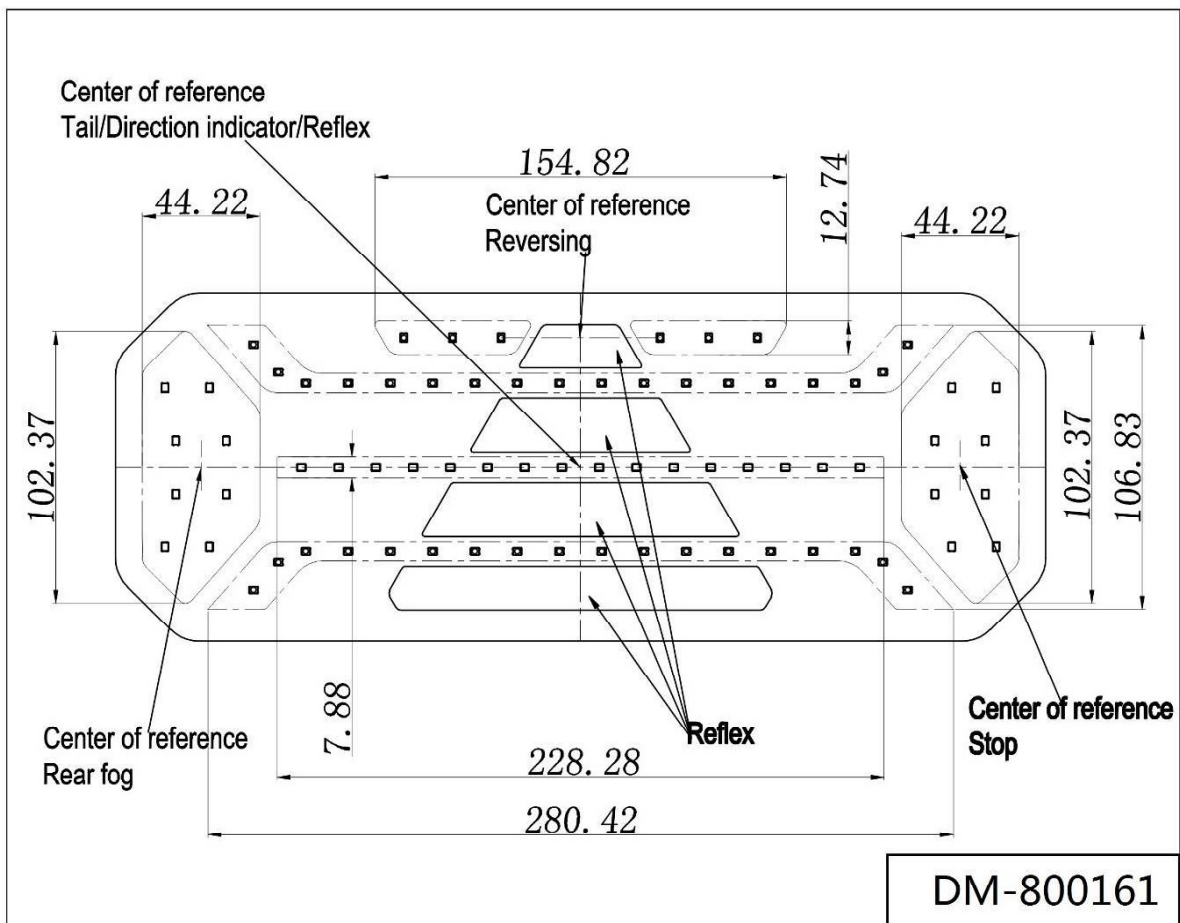
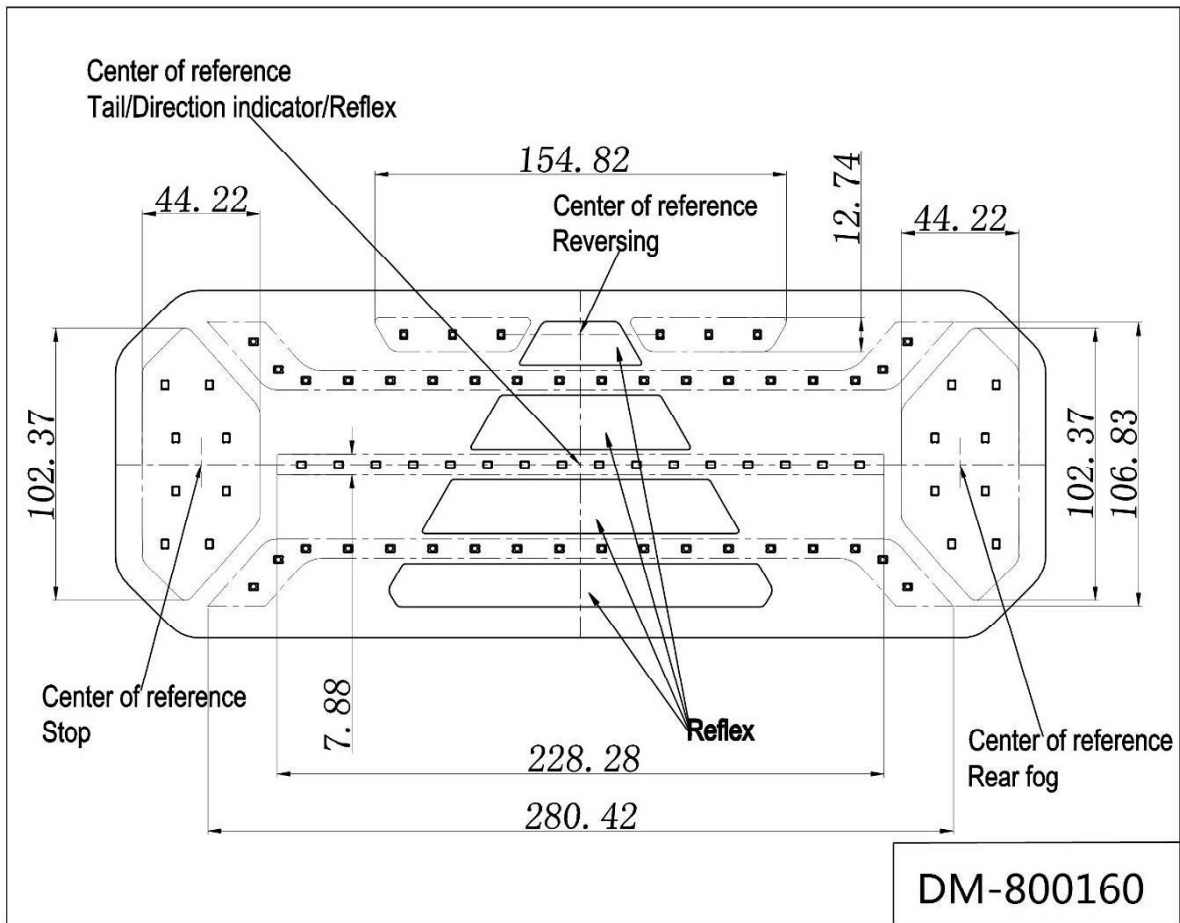
B
4:1

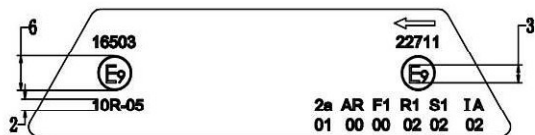


Specification:
1.Functions: Tail/Stop/Direction Indicator/ Rear fog/Reversing/Reflex;
2.Input Voltage: 12/24V

DM-800161







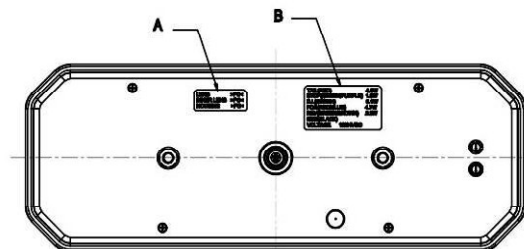
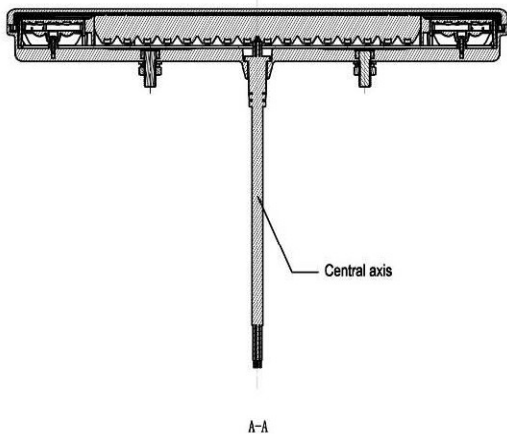
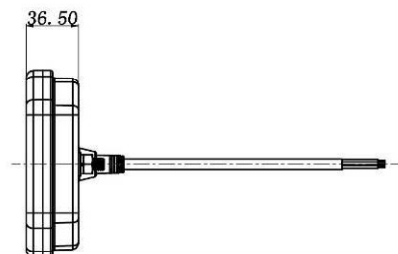
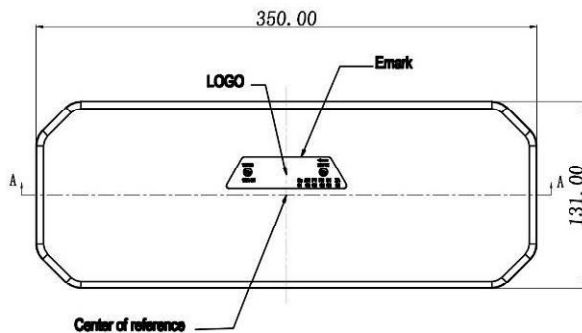
Emerk
4:1

LENS >PC<
INNER LENS >PC<
HOUSING >PC<

A
4:1

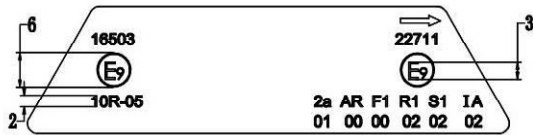
| | |
|--------------------|----------|
| TAIL(RED) | 4.6W |
| STOP(GREEN/PURPLE) | 1.5W |
| D.I.(GREEN) | 6.1W |
| FOG(RED/BLUE) | 4.7W |
| REV(GREEN/BROWN) | 2.3W |
| GND(BLACK) | |
| VOLTAGE | 12/24VDC |

B
4:1



Specification:
1.Functions: Tail/Stop/Direction Indicator/ Rear fog/Reversing/Reflex;
2.Input Voltage: 12/24V

RH-800160



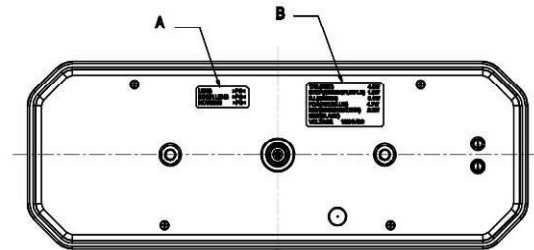
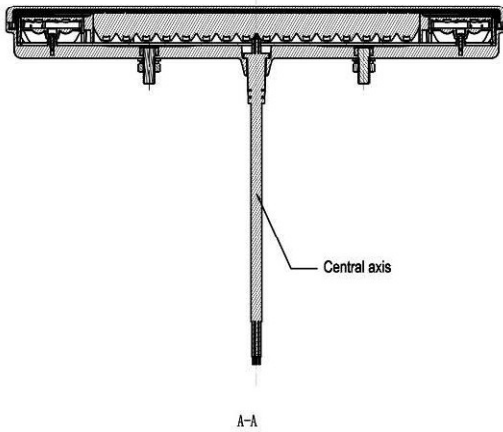
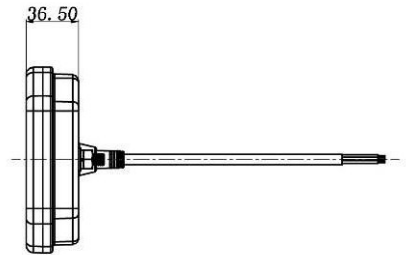
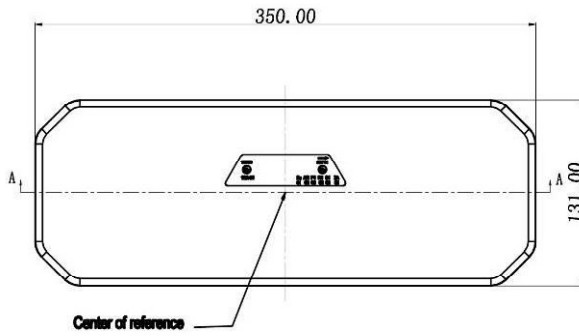
LENS >PC<
 INNER LENS >PC<
 HOUSING >PC<

| | |
|---------------------|----------|
| TAIL (RED) | 4.6W |
| STOP (GREEN/PURPLE) | 1.5W |
| D.I. (GREEN) | 6.1W |
| FOG (RED/BLUE) | 4.7W |
| REV (GREEN/BROWN) | 2.3W |
| GND (BLACK) | |
| VOLTAGE | 12/24VDC |

Emark
4:1

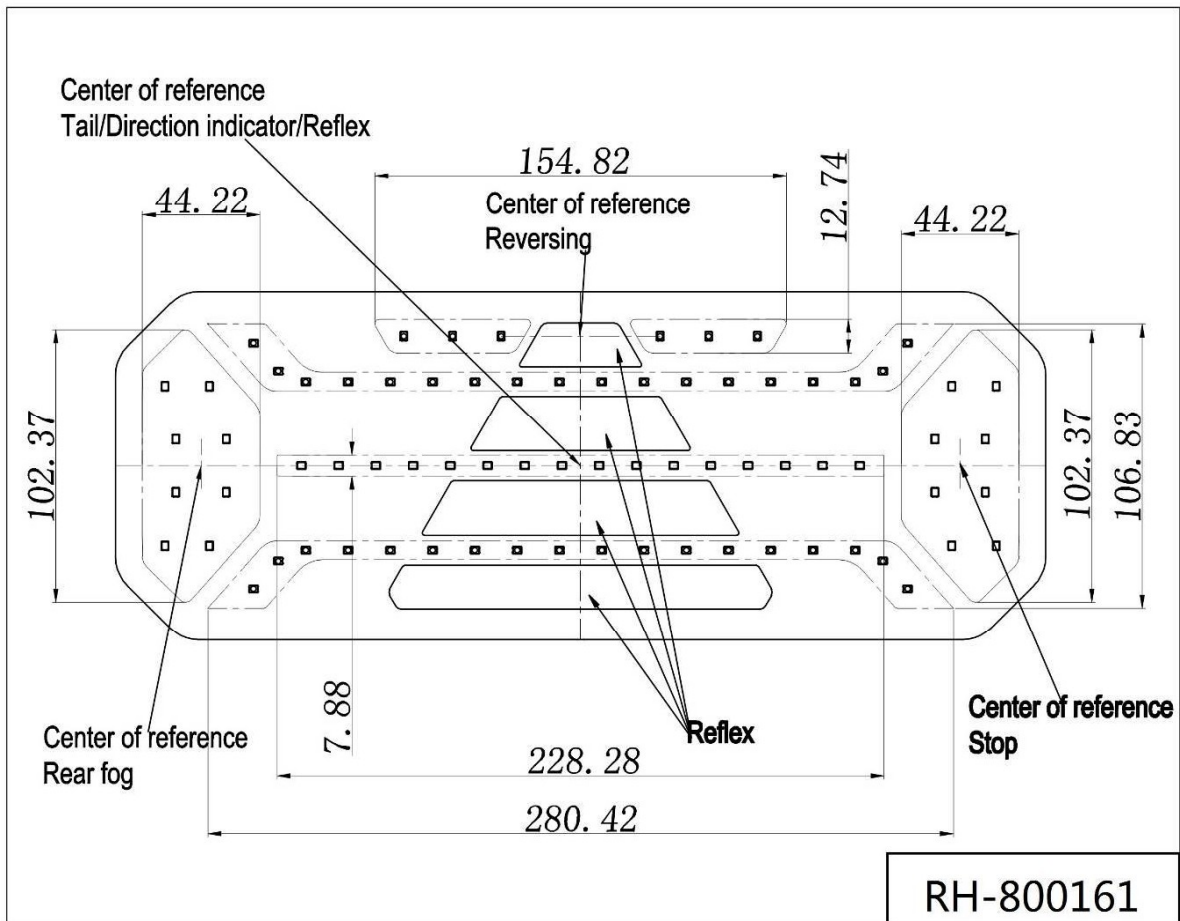
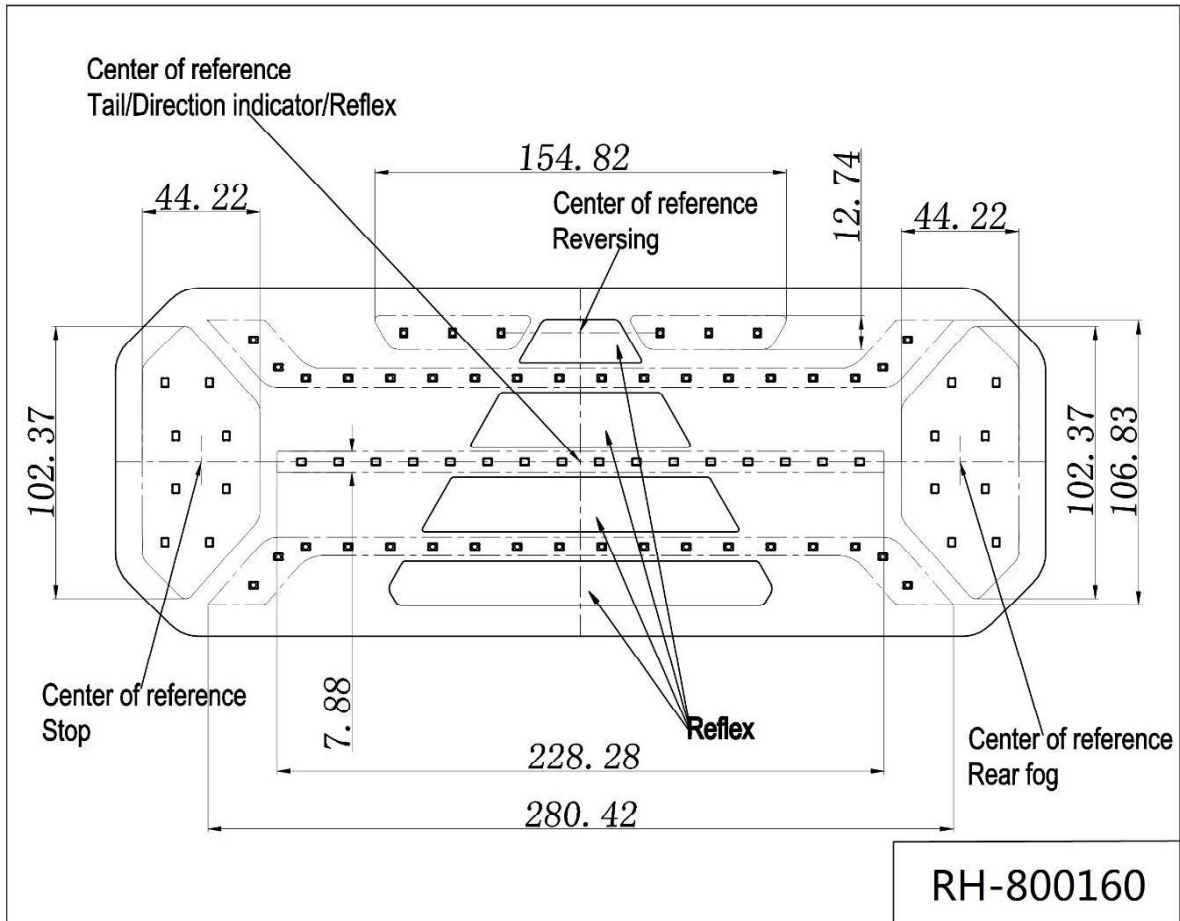
A
4:1

B
4:1

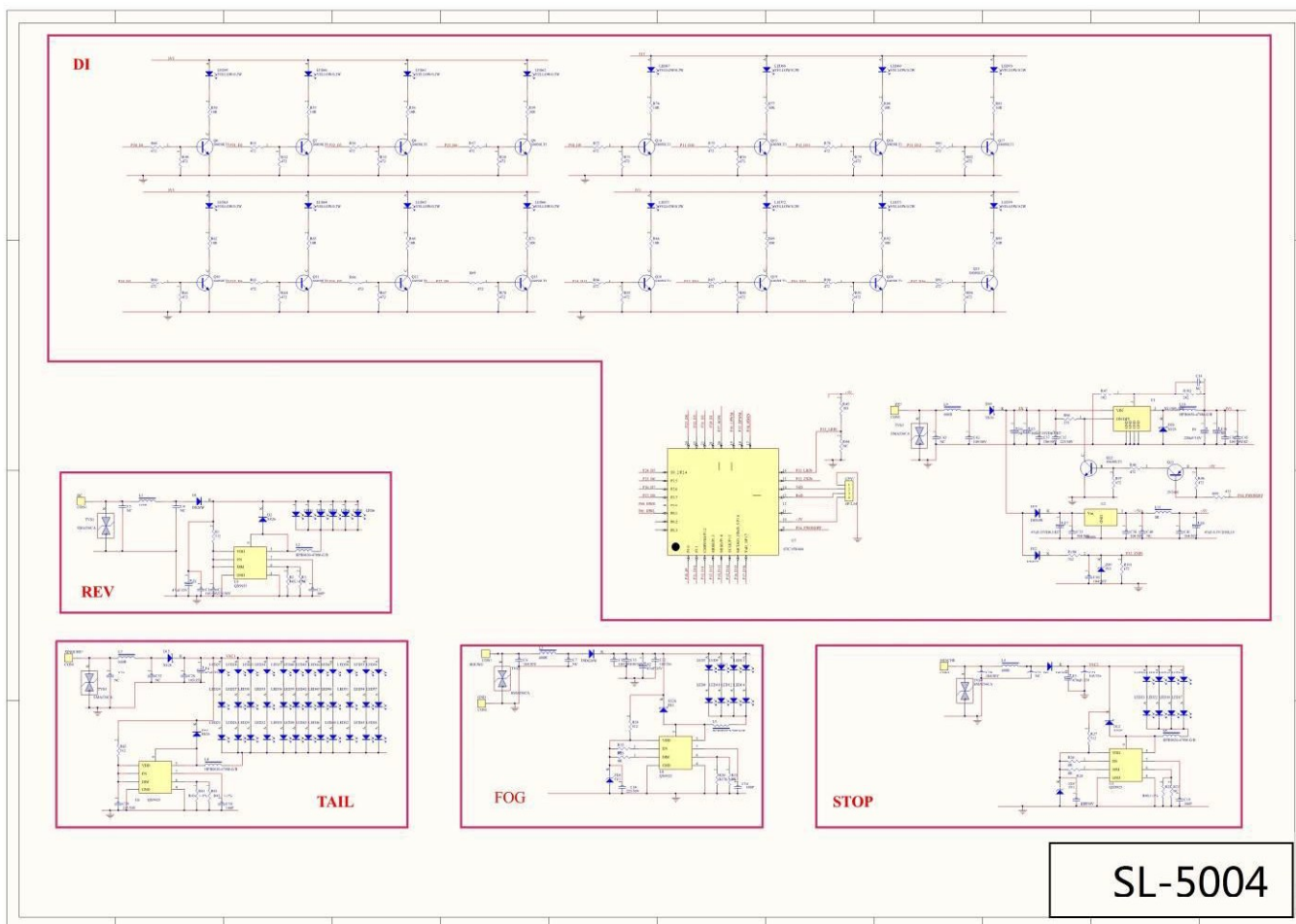


Specification:
 1.Functions: Tail/Stop/Direction Indicator/ Rear fog/Reversing/Reflex;
 2.Input Voltage: 12/24V

RH-800161



CIRCUIT DIAGRAM



12V/24V

Non-replaceable light source