

User Manual

OEM RADIO:Camera Interface for BMW EVO system with 6.5"/8.8"/10.25" screen



Model name	PAS-BM-1914P
Released Date	2019-04-15
Manual Version	1.2
Language	English



1. Car Compatibility Chart

Car Models	Production Year
1 Series	2017-
2 Series	2017-
3 Series	2017-
4 Series	2017-
5 Series	2017-
6 Series	2017-
7 Series	2017-
X1	2017-
X3	2017-
X4	2017-
X5	2017-



Contents

1.Features.....	4
2.Specifications.....	5
3.Packing Lists.....	6
4.Wiring Diagram.....	7
5.DIP Switch Settings.....	8
6.Operation Instructions.....	11
7.Safety Considerations.....	17



1. Features:

- A. Support Intelligent Parking Assist System including PDC (Parking Distance Control) and FPG (Flexible Parking Guidelines)
- B. Support further software update by TF Card
- C. Support adjust FPG position for 8.8" 10.25" screen
- D. Supply power for rear view camera
- E. Supply power for DVR device
- F. Support automatically switched to front view camera, auto trigger after R to D gear



2. Specifications

A. Interface I/O Spec:

Input: CVBS *3 (Front/Rear View Camera, 360, Video), VGA *1 (Specific 360 Panoramic System)

Output: LVDS Output

B. Power Spec:

Input Power: 9V-16V

Consumption: 6W

C. Package Content:

Interface Unit * 1

Main Power Cable * 1

LVDS Cable * 1



3. Packing Lists



Camera Interface



LVDS Cables



Power Harness

Optional Parts(Sold separately at the Cartizan)



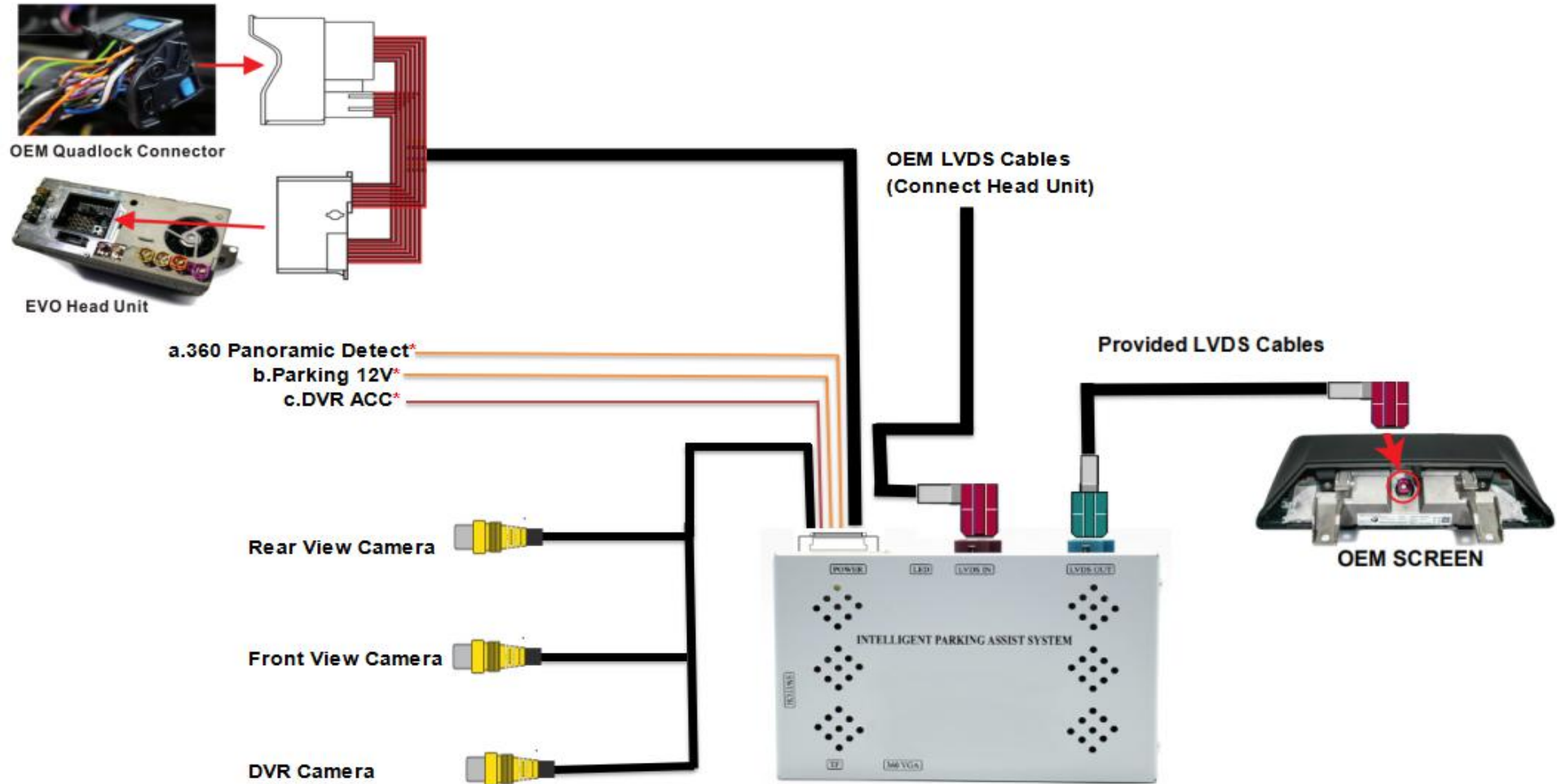
3.5mm AUX cable



AUX IN USB adapter



4. Wiring Diagram



- * a. Connect to 360 Panoramic Detect when install 360,otherwise don't have to.
- * b. Power supply for camera
- * c. Keep 12V power supply

5. DIP Switch Settings



ON (▼) OFF(▲)

Car Model	No.1	No.2	No.3
1-4 series/X3/X4, 8.8 inch with OEM rear camera	OFF(▲)	OFF(▲)	OFF(▲)
1-4 series/X3/X4, 8.8 inch without OEM rear camera	ON (▼)	OFF(▲)	OFF(▲)
5 series 8.8 inch EVO with rear camera	OFF(▲)	ON(▼)	OFF(▲)
5 series 8.8 inch EVO without rear camera	ON(▼)	ON(▼)	OFF(▲)
1-4 series/X1/MINI 6.5 inch EVO	OFF(▲)	OFF(▲)	ON(▼)
5 series/7 series/X5/X6 10.25 inch EVO	ON(▼)	ON(▼)	ON(▼)

PIN	ON (▼)	OFF(▲)
4	Turn off PDC	Turn on PDC
5	Turn off dynamic guideline	Turn on dynamic guideline
6	-	-
7	Turn on front view	Turn off front view



*Please note that DIP Switch 5 and DIP Switch 8 put **ON (▼)** with OEM rear view.

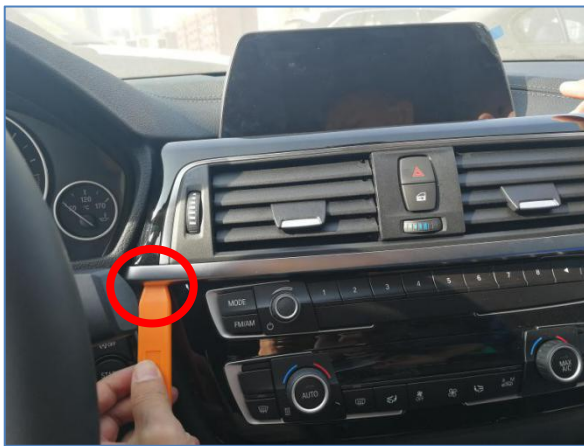
*** Dip Switcher Settings II (Quick Setting) :**

Mode	4	5	6	7	8
aftermarket camera CAN mode valid	OFF(▲)	OFF(▲)	OFF(▲)	OFF(▲)	OFF(▲)
aftermarket camera CAN mode invalid	ON (▼)	OFF(▲)	OFF(▲)	OFF(▲)	OFF(▲)
original camera	OFF(▲)	ON (▼)	OFF(▲)	OFF(▲)	ON (▼)

6. Operation Instructions

5.1 Installation Process

* Please note that there need to power off and take protection measures to avoid damaging in the installation process.



a



b



c

1. Please prize up the air conditioner panel according to the designated position.

*Please note that there are screws on the side panel of copilot, and remove the screws of side panel first if there is any, then prize up the air conditioner panel.



a

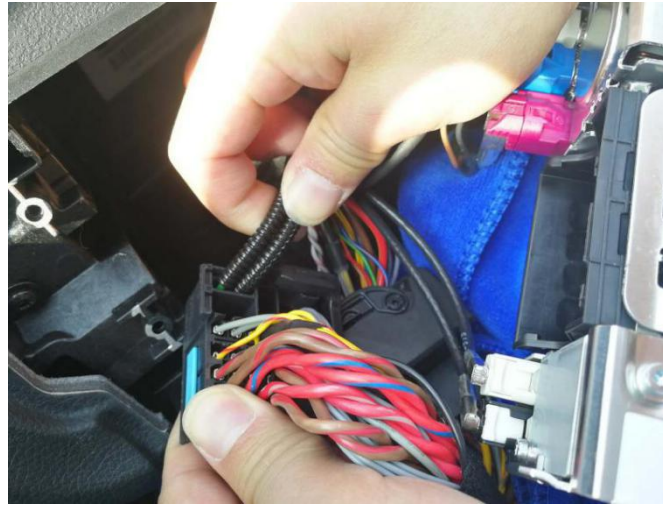


b

2. After prize up the air conditioner panel, pull out the panel cables, then prize up the up plastic panel, remove the six screws in the red circle, and take down the CD panel.



a



b



c

3. Remove the screw in the red circle, take out the head unit. Please note that original car plug has optical fibers, and switch the optical fibers of the original car to the plug according to the pictures.



a



b

4. Pull out the LVDS cables of the OEM screen and connect to the LVDS-IN interface. Another cable connect to the LVDS-OUT interface, plug connect to the OEM screen on the other side. Then connect to the rear view cables and all of cables, check it and confirm the dip switcher, power on at the end.

5.2 DVR Switching

Long time press MENU for 2 seconds to enter DVR if DVR available.

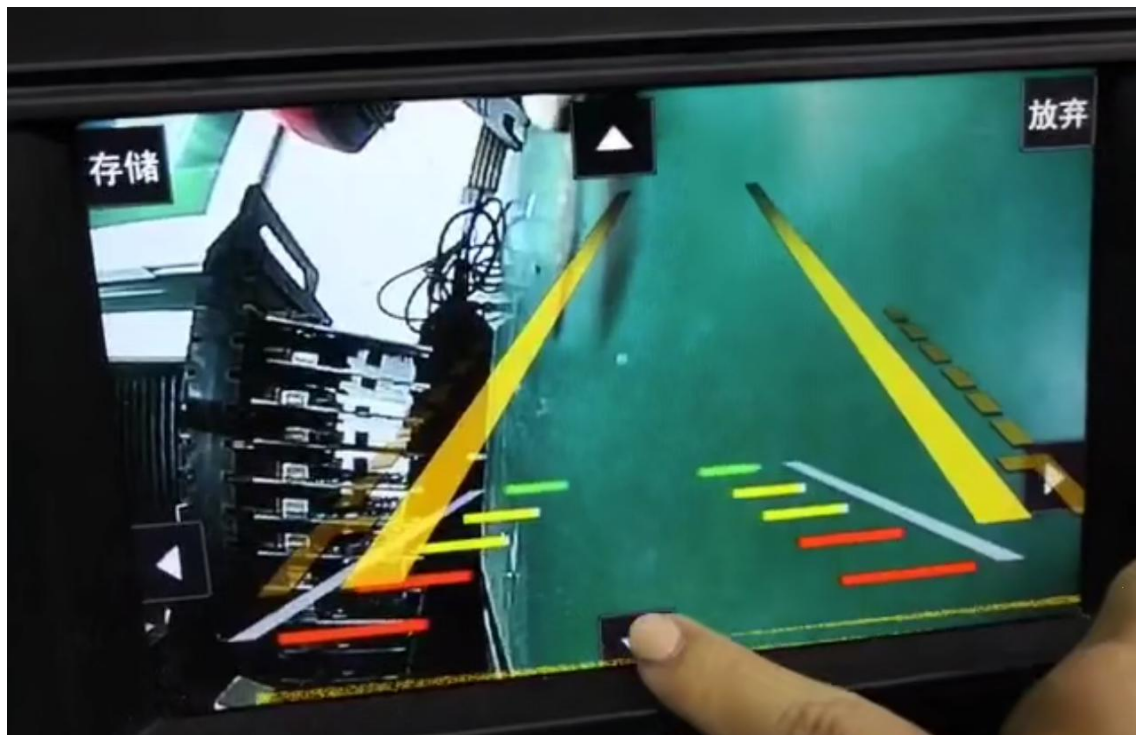


5.3 Switch FPG (Flexible Parking Guidelines) Position

Please press the screen for 20 seconds. The dynamic guidelines will come out from the up, below, left, right four directions.

The dynamic guidelines will be adjusted by press four buttons.

(Please note that it can be adjusted by multimedia button if there does not touch screen.)



7. Safety Considerations

- 1. In order to protect driving safety and avoid breaking the traffic law, please do not watch the program or use this product when you're driving.**
- 2. Please do not put the product in the damp environment or water, in order to avoid electric shock, damaged and fire accident caused by short circuit.**
- 3. The reversing surveillance function just be used in reversing assistance. Once happened reversing accident does not concern us. And hint of fault message need to be confirmed by professional maintenance Center.**
- 4. In order to safety and ensure the use of product, the installation please leave it to the professional. Do not unload by yourself in order to avoid causing damaged or accident.**
- 5. Start the engine before loading, check the interface whether have function displayed, key control whether correct, the vehicle interface whether have scratch. Please give the feedback to customers if there has any questions.**
- 6. Please note that put the disassemble automotive components in a good way on the installation process, avoid scratching the instrument panel, the leftovers of connect cables need to handle and do not leave it in the car. The connecting plug must be insulated in order to short circuit.**

-
- 7. The cables should be connected in a good way, the vehicle installation space is small, so reduce space usage as far as possible, and it will be easy installation for monitor. There should be a good plan about connect cables, avoid affecting the active component of connecting, such as control components of turning steering wheel, throttle and brake pedal. There need to be fasten after connecting cables in case of drop.**
- 8. Please do not plug or pull the connected cables in the state of power-on, in order to avoid damaging monitor or accessory.**



Copyright © Cartizan. All rights reserved.