

c.LOGiC-Interface

C4-PCM30

Compatible with Porsche PCM3.0 and 3.1 navigation systems

Product features

- **Plug and play multimedia interface**
- **3 AV-inputs**
- **Control of after-market DVB-T tuners by factory infotainment**
- **Trigger output (+12V max. 1A) for connected devices**
- **Rear-view camera power (+12V max 1A)**
- **Video-in-motion**
- **Rear-view camera input**
- **Automatic switching to rear-view camera input (only from c.LOGiC mode)**
- **Rear-seat-entertainment output for AV-sources connected to the c.LOGiC**
- **USB update-port for software-updates by consumer**

Contents

1. Prior to Installation

- 1.1. Delivery contents
- 1.2. Check compatibility of vehicle and accessories
- 1.3. Setting the dip-switches of the Interface-box C4C-M821
- 1.4. LED's of the interface-box C4C-M821

2. Connection schema

3. Installation

- 3.1. Connecting interface-box and harnesses
- 3.2. Quadlock connector
- 3.3. Connecting peripheral devices
 - 3.3.1. AV-source(s)
 - 3.3.2. Installing AV-source's IR-sensor additionally
 - 3.3.3. Factory rear-view camera
 - 3.3.4. After-market rear-view camera
 - 3.3.5. After-market rear-seat-entertainment

4. Operation

- 4.1. Activation of the video-in-motion function
- 4.2. Selecting the c.LOGiC as current AV-source
- 4.3. Switching between AV1, AV2 and AV3
- 4.4. Assigning device controls for connected AV-sources
- 4.5. Control of a connected DVB-T tuner
- 4.6. Picture settings

5. Specifications

6. Connections (interface-box)

7. Technical support

Appendix A – Device control table

Legal Information

By law, watching moving pictures while driving is prohibited, the driver must not be distracted. We do not accept any liability for material damage or personal injury resulting, directly or indirectly, from installation or operation of this product. This product should only be used while standing or to display fixed menus or rear-view-camera video when the vehicle is moving, for example the MP3 menu for DVD upgrades.

Changes/updates of the vehicle's software can cause malfunctions of the interface. We offer free software-updates for our interfaces for one year after purchase. To receive a free update, the interface must be sent in at own cost. Labor cost for and other expenses involved with the software-updates will not be refunded.

1. Prior to installation

Read the manual prior to installation. Technical knowledge is necessary for installation. The place of installation must be free of moisture and away from heat sources.

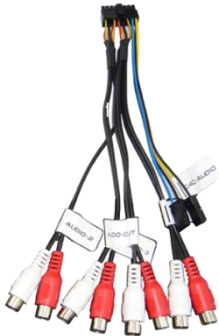
1.1. Delivery contents

Take down the SW-version and HW-version of the interface boxes, and store this manual for support purposes.

Interface-box
C4C-M821
HW _____ SW _____



Audio-cable
C4C-AUDIO



Harness
C4C-POR03

Video-cable
C4C-VIDEO



1.2. Check compatibility of vehicle and accessories

Requirements

Vehicle Porsche Cayenne E1, 911, Boxster, Cayman, Cayenne E2, Panamera

Navigation PCM3.0 and 3.1

Limitations

Factory-TV-tuner Must NOT be installed. If uninstalled, optical ring must be closed.

After-market rear-view camera Automatic switching to camera only works from c.LOGiC mode.

1.3. Setting the dip-switches of the interface-box C4C-M821

With the interface-box dip-switches it is possible to activate or deactivate the video-in-motion (dip 1) and the rear-view camera-function (dip 2) and to preselect the type of camera which is (to be) installed (dip 3).

Dip position “down” is OFF and position “up” is ON.



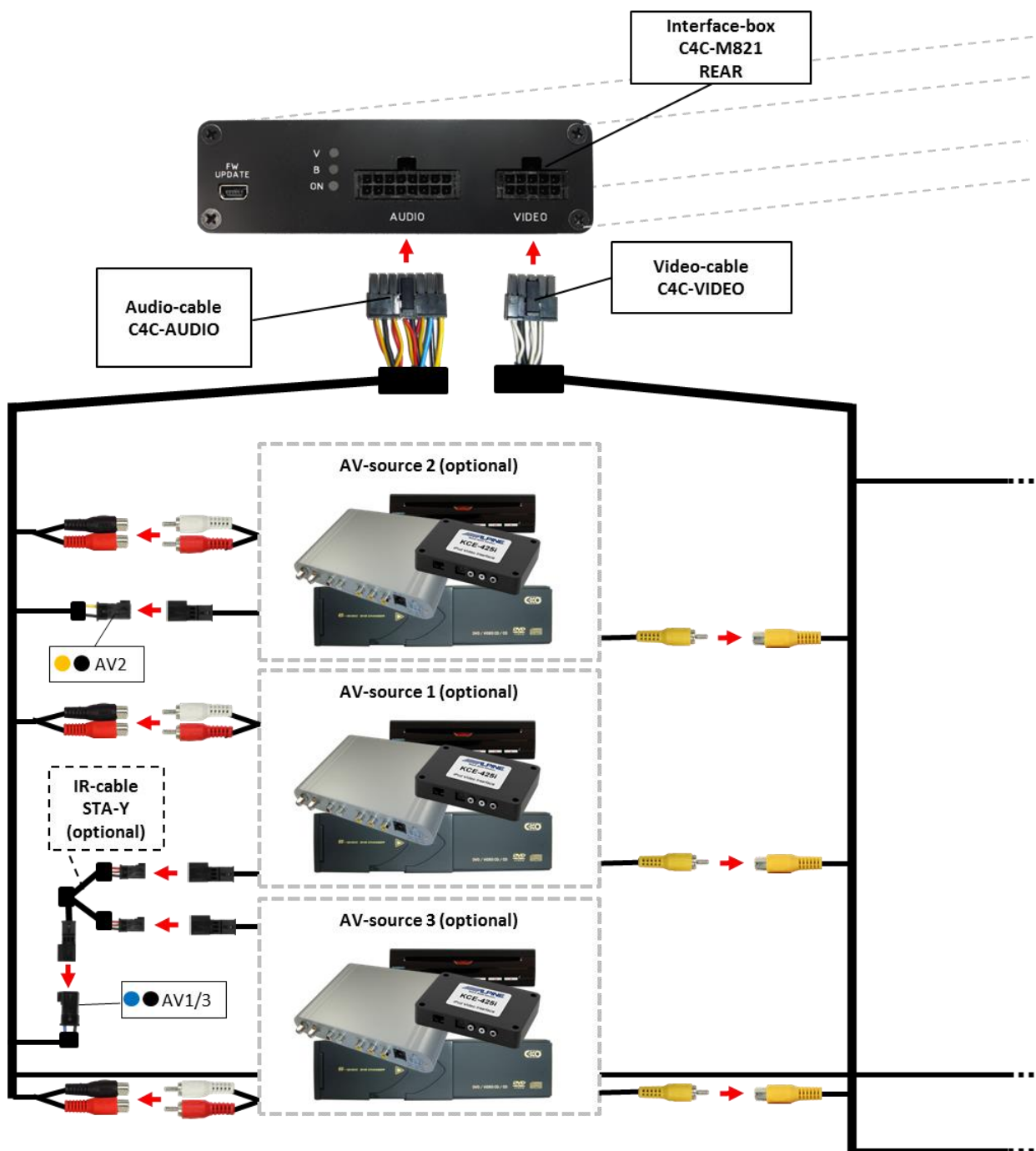
Dip-switch	ON	OFF
Dip 1	TV-free on	TV-free off
Dip 2	Rear-view camera on	Rear-view camera off
Dip 3	Factory RVC	After-market RVC

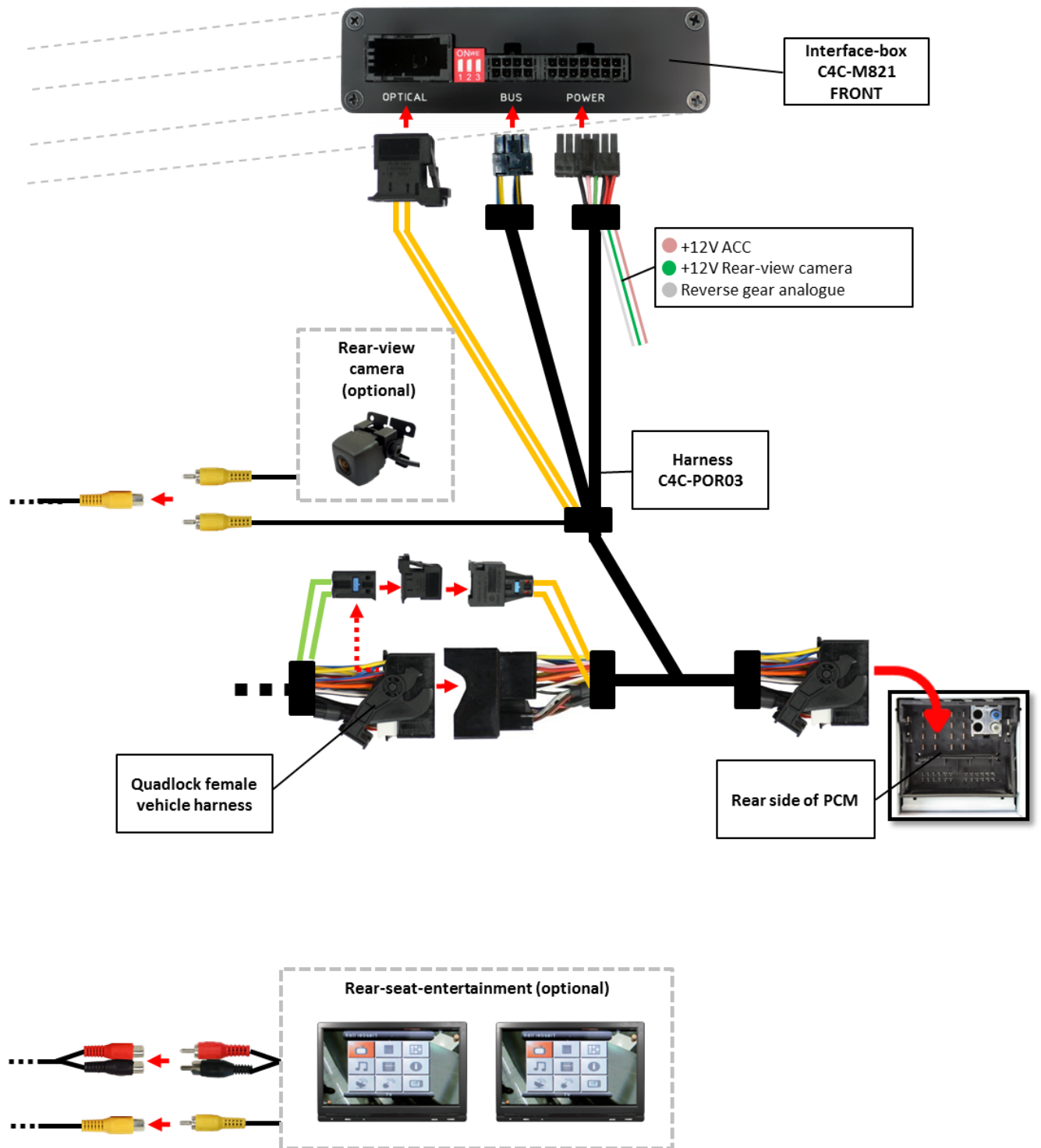
After each change of the dip switch settings you have to execute a power reset of the c.LOGiC interface-box!

1.4. LED's of the interface-Box C4C-M821



2. Connection schema



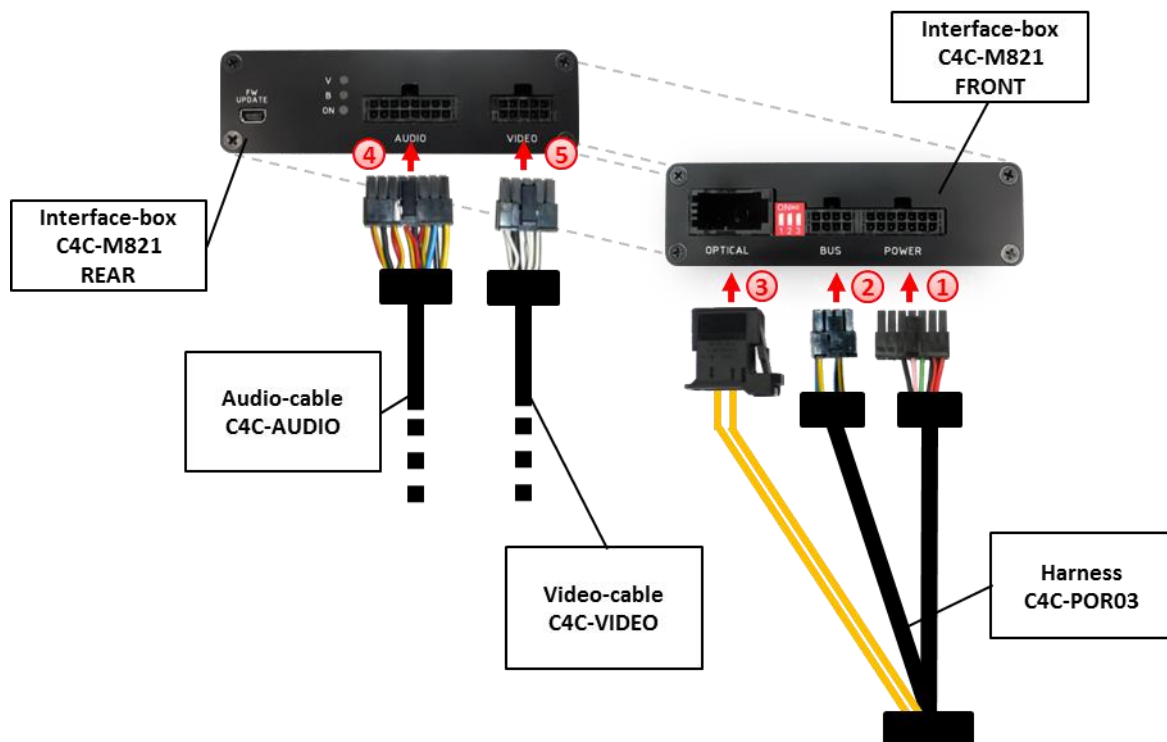


3. Installation

Switch off ignition and disconnect the vehicle's battery! If according to factory rules disconnecting the battery has to be avoided, it is usually sufficient to put the vehicle in sleep-mode. In case the sleep-mode does not show success, disconnect the battery with a resistor lead.

Place of installation is behind the PCM head-unit.

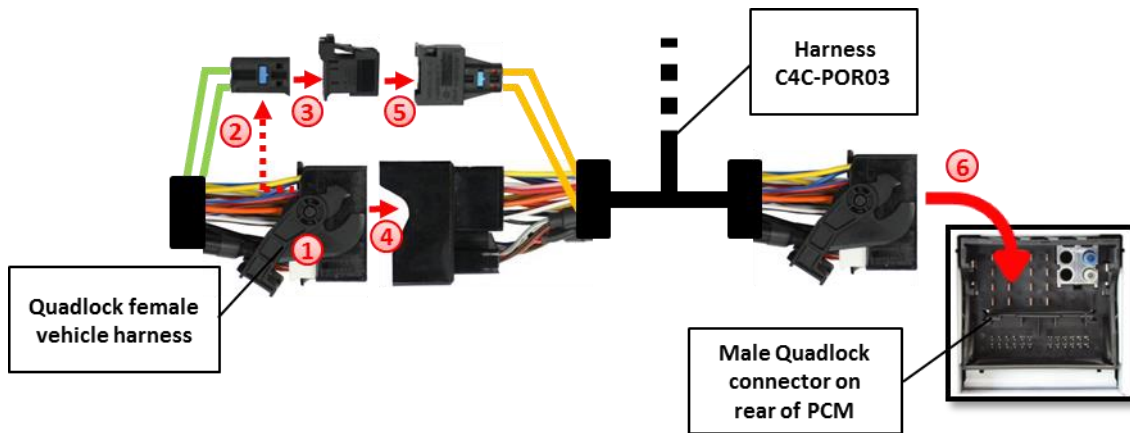
3.1. Connecting interface-box and harnesses



- ① Connect female 14pin Micro-Fit connector of harness C4C-POR03 to the male 14pin Micro-Fit connector (POWER) on the front of the interface-box C4C-M821.
- ② Connect female 8pin Micro-Fit connector of harness C4C-POR03 to the male 8pin Micro-Fit connector (BUS) on the front of the interface-box C4C-M821.
- ③ Connect female MOST®-connector of harness C4C-POR03 to the male MOST®-connector (OPTICAL) of the interface-box C4C-M821.
- ④ Connect female 16pin Micro-Fit connector of the audio-cable C4C-AUDIO to the male 16pin Micro-Fit connector (AUDIO) on the rear of the interface-box C4C-M821.
- ⑤ Connect female 10pin Micro-Fit connector of the video-cable C4C-VIDEO to the male 10pin Micro-Fit connector (VIDEO) on the rear of the interface-box C4C-M821.

3.2. Quadlock connector

Remove the PCM from the dash-board.



- ① Disconnect female Quadlock connector of vehicle harness from the back of the PCM.
- ② Remove MOST®-insert from the factory harness female Quadlock connector.
- ③ Plug MOST®-insert of vehicle harness into male MOST®-connector shell of harness C4C-POR03.
- ④ Connect female Quadlock connector of vehicle harness to male Quadlock connector of harness C4C-POR03.
- ⑤ Plug male MOST®-connector into female MOST®-socket of C34-POR03.
- ⑥ Connector female Quadlock connector of harness C4C-POR03 to male Quadlock connector of the PCM.

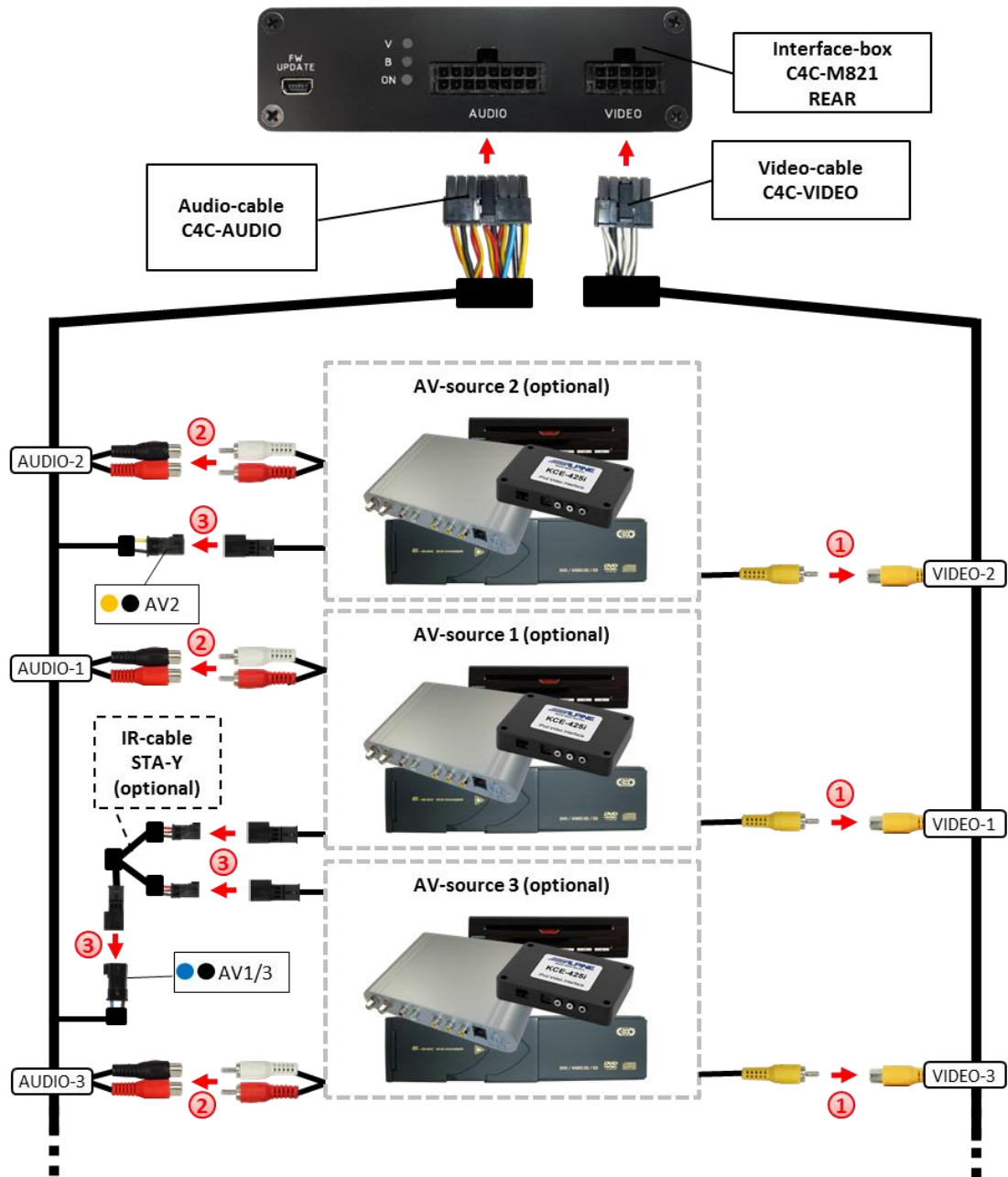
3.3. Connecting peripheral devices

It is possible to connect 3 after-market AV-sources, an after-market rear-view camera and rear-seat-entertainment to the c.LOGiC interface.

Before final installation of the peripheral devices, we recommend to test-run the c.LOGiC functions to detect incompatibility of vehicle, navigation, factory accessories or peripheral devices as soon as possible.

3.3.1. AV-source(s)

The c.LOGiC interface has the possibility to connect up to 3 pre-programmed devices. The device list in the device control table (Appendix A) shows the pre-programmed remote channels and the related IR-remote cables STA-xxx which must be ordered separately for the control of the device.

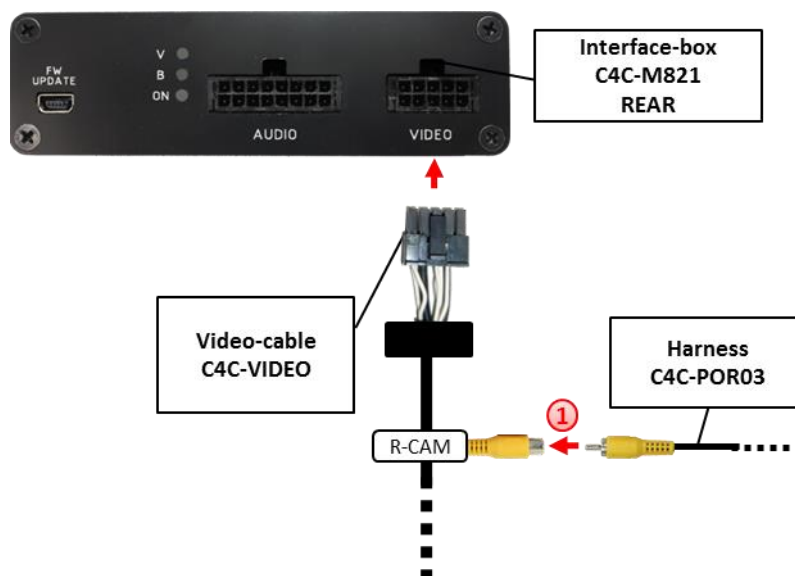


- ① Connect video RCA of AV-source 1 to female RCA connector VIDEO-1, the video RCA of AV-source 2 to female RCA connector VIDEO-2 and video RCA of AV-source 3 to female RCA connector VIDEO-3 of the video-harness C4C-VIDEO.
- ② Connect audio RCA of AV-source 1 to female RCA connectors AUDIO-1, the audio RCA of AV-source 2 to female RCA connectors AUDIO-2 and audio RCA of AV-source 3 to female RCA connectors AUDIO-3 of the audio-harness C4C-AUDIO.
- ③ Using the respective STA-xxx IR-control cable, interconnect the blue-black (yellow-black) female 3pin AMP connector of harness C4C-AUDIO and the IR-port of the AV-source 1 (AV-source 2). If 3 AV-sources are connected, connect the optionally available IR-control cable STA-Y between the blue-black female 3pin AMP connector and the IR-ports of the AV-sources 1 and 3.

3.3.2. Installing AV-source's IR-sensor additionally

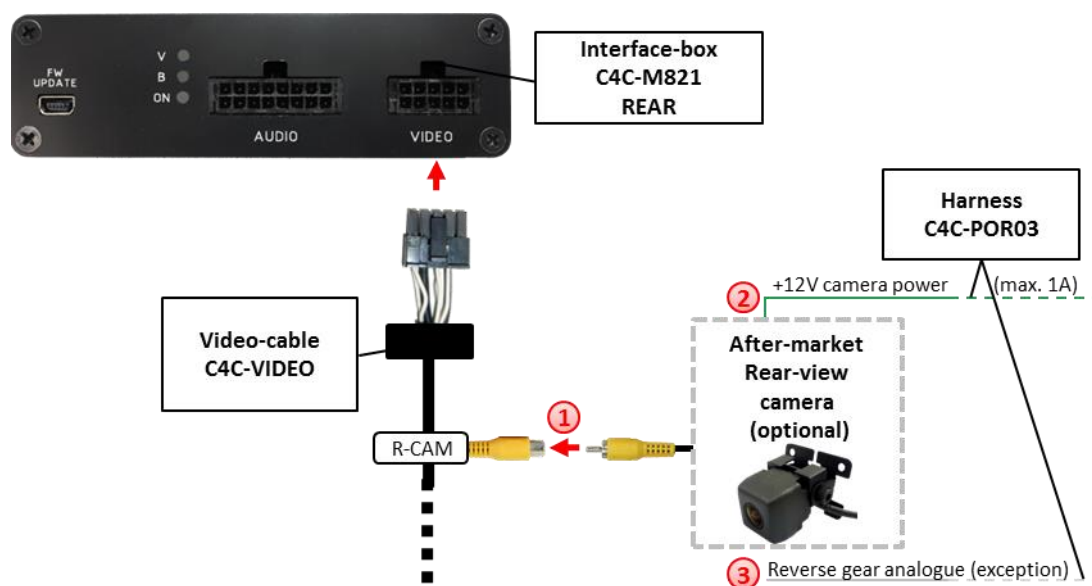
Additionally to the control via OEM navigation, it is possible to install the original IR-sensor of a connected device. By using the respective Y-adapter (e.g. STA-Y35MM or STA-RJ12) for the IR-Port of the connected device, the controls of navigation AND device's IR-sensor can be connected and used simultaneously. Installation of the IR-sensor is recommended as the controls via navigation are limited, and not all functions may be covered.

3.3.3. Factory rear-view camera



- 1 Connect the video RCA of harness C4C-POR03 to the female RCA connector R-CAM IN of the video-cable C4C-VIDEO if a factory rear-view camera is installed.

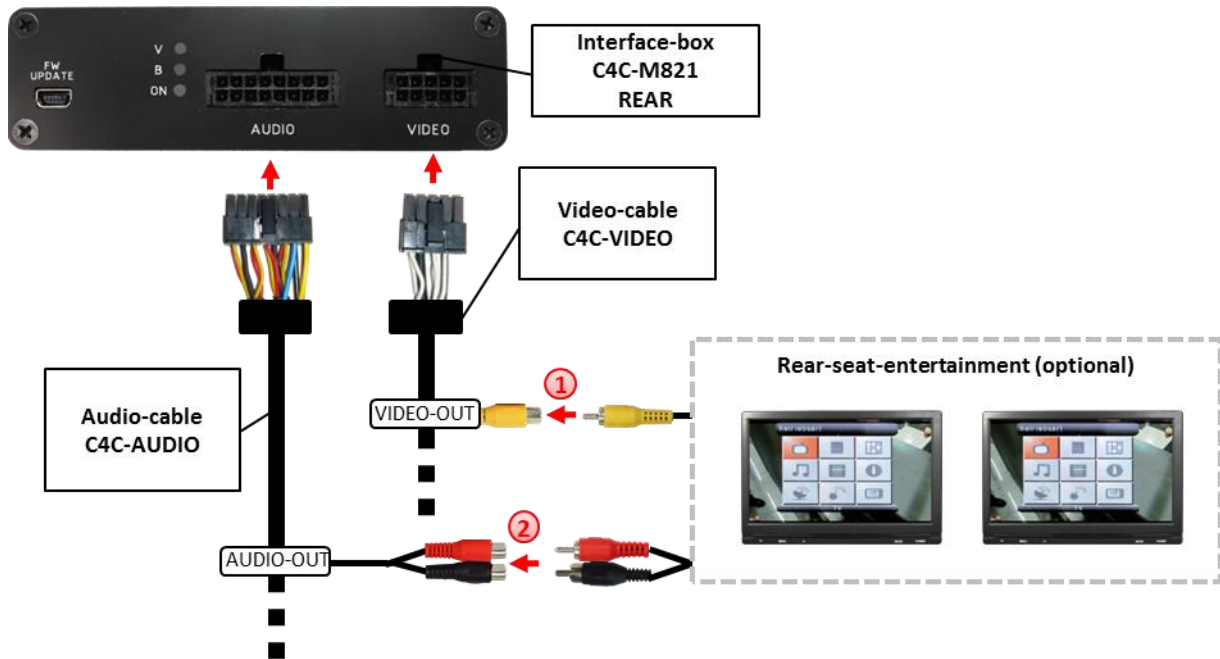
3.3.4. After-market rear-view camera



- ① Connect the video RCA of the after-market rear-view camera to the female RCA connector R-CAM IN of the video-cable C4C-VIDEO.
- ② Connect the green wire of harness C4C-POR03 to the camera power supply (+12V max. 1A). The green wire is high (+12V) when reverse gear is engaged.
- ③ The white wire is not connected and has to be isolated. In some cases it is possible that the automatic switching does not work. In this case connect the white wire to the reverse gear light (+12V max. 1A).

Note: Automatic switching to the after-market rear-view camera only works from c.LOGiC mode.

3.3.5. Rear-seat-entertainment



- ① Connect the video RCA of the rear-seat-entertainment to the female RCA connector VIDEO-OUT of video-cable C4C-VIDEO.
- ② Connect the audio RCA of the rear-seat-entertainment to the female RCA connectors AUDIO OUT of the audio-cable C4C-AUDIO.

Note: The last source keeps active on rear-seat-entertainment if you switch the navigation to OEM mode.

3.4. Activation of remote functions

To use the touch screen for switching the AV-sources and for remote functions of a connected DVB-T tuner, press the "Autostore TV1" button for about 1 sec while in TV menu. The touch screen buttons "TV" (1) to "OK" (6) are activated.



4. Operation

4.1. Activation of the video-in-motion function

With the interface-box dip-switch 1 it is possible to activate or deactivate the video-in-motion (dip 1). The video-in-motion function is activated permanently without disturbing the navigation performance if it is activated.

Dip position “down” is OFF and position “up” is ON.

Dip-switch	ON	OFF
Dip 1	TV-free on	TV-free off

4.2. Selecting the c.LOGiC as current AV-source

Push the **Source** button of the PCM and after it choose **TV** via touchscreen to choose the c.LOGiC as current AV-source.



4.3. Switching between AV1, AV2 and AV3

It is possible to choose the AV-sources in the TV menu via touchscreen after activation of the remote functions (see chapter “Activation of remote functions):

TV = AV1
 DVD = AV2
 AV = AV3



Note: It is possible to choose the AV-sources by colour-display in the tachometer unit alternatively.



4.4. Assigning device controls for connected AV-sources

Choose “**Option**” in TV menu via touch-screen or by Option-button.

Choose “**Videotext**” in Option menu via touch-screen.

It is possible to assign the device controls in the Videotext menu. A numeric keypad to enter the code will be shown by pressing on the teletext number of page (P100) via touch-screen.

Enter “**1**” followed by the two-digit device-related IR-code for **AV1**,

enter “**2**” followed by the two-digit device-related IR-code for **AV2** and

enter “**3**” followed by the two-digit device-related IR-code for **AV3**.

The entry is saved automatically. The two-digit device-related IR-codes are described in device control table (appendix A).

Note: The IR-control channels DEVICE1-3 (AV1-3) are preinstalled to RC-01.



4.5. Control of a connected DVB-T tuner

It is possible to choose 3 control commands for a connected DVB-T tuner in the TV menu via touch-screen after activation of the remote functions (see chapter “Activation of remote functions”):

SCAN
POWER
OK



Note: It is possible to choose the 3 control commands for a connected DVB-T tuner by colour-display in the tachometer unit alternatively.

The arrow keys of the PCM can be used additionally:

< = **CH-**
 > = **CH+**



Note: Installation of the IR-sensor is recommended as the controls via touch-screen are limited.

4.6. Picture settings


It is possible to change the picture settings of the PCM in the TV menu, menu “Options”, submenu “SET TV”, menu item “Bildparameter TV”.

Note: The picture settings of the PCM apply to all connected AV-sources.

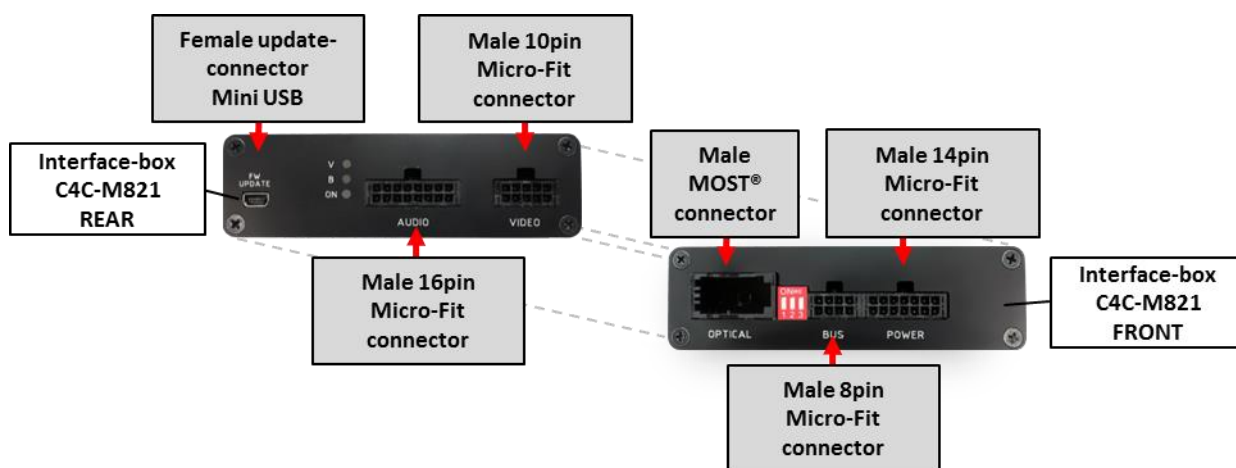


5. Specifications

Operation voltage	10.5 – 14.8V DC
Stand-by power drain	3mA
Operation power drain	95mA
Power consumption	13W
Temperature range	-30°C to +80°C
Weight	190g
Measurements (box only) B x H x T	105 x 30 x 84 mm

CE  12V DC

6. Connections (interface-box)



7. Technical Support

Caraudio-Systems Vertriebs GmbH
manufacturer/distribution
In den Fuchslöchern 3
D-67240 Bobenheim-Roxheim

email support@caraudio-systems.de

Legal disclaimer: Mentioned company and trademarks, as well as product names/codes are registered trademarks ® of their corresponding legal owners.