

PAZIŅOJUMS
COMMUNICATIONizsniegusi: **Ceļu satiksmes drošības direkcija**
issued by: **Road traffic safety directorate**par: ⁽¹⁾
concerning: ⁽¹⁾APSTIPRINĀJUMA PIEŠĶIRŠANU
APPROVAL GRANTED
~~APSTIPRINĀJUMA PAPLAŠINĀŠANU~~
~~APPROVAL EXTENDED~~
~~APSTIPRINĀJUMA ATTEIKŠANU~~
~~APPROVAL REFUSED~~
~~APSTIPRINĀJUMA ATSAUKŠANU~~
~~APPROVAL WITHDRAWN~~
~~PILNĪGU RAŽOŠANAS IZBEIGŠANU~~
~~PRODUCTION DEFINITELY DISCONTINUED~~saskaņā ar Noteikumiem Nr. 7.
of a type of device pursuant to Regulation No. 7.Apstiprinājuma Nr.: **E32*7R02/26*0075*00**
Approval No:Paplašinājuma Nr.: **00**
Extension No:

1. Ierīces tirdzniecības nosaukums vai preču zīme: **HOJA**
Trade name or mark of the device:
2. Ierīces tipa ražotāja nosaukums: **112602C**
Manufacturer's name for the type of device:
3. Ražotāja nosaukums un adrese: **Yuyao Hoja Lighting Products Co., Ltd.
A Section, Huangjiabu Industrial Development Zone,
Yuyao City, Zhejiang Province, 315400 P.R. China**
Manufacturer's name and address:
4. Ražotāja pārstāvja (ja tāds ir) nosaukums un adrese: **Nav attiecināms**
If applicable, name and address of the manufacturer's representative:
Not applicable
5. Iesniegts apstiprinājumam (datums): **07.12.2017.**
Submitted for approval on:
6. Tehniskais dienests, kas ir atbildīgs par apstiprinājuma testu veikšanu: **TÜV Rheinland-KTI Ltd.**
Technical service responsible for conducting approval tests:
7. Šā dienesta izsniegtā protokola datums: **21.11.2017.**
Date of report issued by that Service:
8. Šā dienesta izsniegtā protokola numurs: **87-R7-1826/17-00**
Number of report issued by that Service:

9. Īss apraksts:
 Concise description:
- 9.1. Saskaņā ar luktura kategoriju: **Priekšējais gabarītgaismas lukturis, A kategorija**
 By category of lamp: **Front position lamp, category A**
- Montēšanai transportlīdzekļa ārpusē vai iekšpusē, vai gan ārpusē, gan iekšpusē ⁽¹⁾
 For mounting either ~~outside or inside or both~~ ⁽¹⁾
- Izstarotās gaismas krāsa: ~~sarkana~~/balta ⁽¹⁾
 Colour of light emitted: ~~red~~/white ⁽¹⁾
- Gaismas avota(-u) skaits, kategorija un veids: **2 nomaināmi LED gaismas avoti**
 Number, category and kind of light source(s): **2 LEDs, non-replaceable light source**
- Spriegums un jauda: **12V, 0.5W**
 Voltage and wattage:
- Gaismas avota moduļa īpašais identifikācijas kods: **Nav attiecināms**
 Light source module specific identification code: **Not applicable**
- Montēšanai tikai ierobežotā augstumā, kas nepārsniedz 750 mm virs zemes: ~~jā~~/nē ⁽¹⁾
 Only for limited mounting height of equal to or less than 750 mm above the ground: ~~yes~~/no ⁽¹⁾
- Uzstādīšanas ģeometriskie nosacījumi un saistītās variācijas, ja ir: **Skatīt informācijas dokumentu**
 Geometrical conditions of installation and relating variations, if any: **See information document**
- Gaismas avota elektroniskās kontroles iekārtas/mainīgas intensitātes regulatora izmantošana:
 Application of an electronic light source control gear/variable intensity control:
- a) ir luktura daļa ~~jā~~/nē ⁽¹⁾
 being part of the lamp: ~~yes~~/no ⁽¹⁾
- b) nav luktura daļa ~~jā~~/nē ⁽¹⁾
 being not part of the lamp: ~~yes~~/no ⁽¹⁾
- Gaismas avota elektroniskās kontroles iekārtas/mainīgas intensitātes regulatora radītais ieejas spriegums(-i): **Nav attiecināms**
 Input voltage(s) supplied by an electronic light source control gear/variable intensity control: **Not applicable**
- Gaismas avota elektroniskās kontroles iekārtas/mainīgas intensitātes regulatora ražotājs un identifikācijas numurs (ja gaismas avota kontroles iekārta ir luktura daļa, bet nav iekļauta luktura korpusā): **Nav attiecināms**
 Electronic light source control gear/variable intensity control manufacturer and identification number (when the light source control gear is part of the lamp but is not included into the lamp body): **Not applicable**
- Mainīga gaismas intensitāte: ~~ir~~/nav ⁽¹⁾
 Variable luminous intensity: ~~yes~~/no ⁽¹⁾
- Priekšējais gabarītgaismas lukturis** ⁽¹⁾, ~~pakalējais gabarītgaismas lukturis~~ ⁽¹⁾, ~~bremžu signāllukturis~~ ⁽¹⁾, ~~kontūrgaismas lukturis~~ ⁽¹⁾ ir izmantojams tikai transportlīdzeklim, kas aprīkots ar indikatoru, kas norāda, ja radušies traucējumi: ~~ir~~/nav ⁽¹⁾
The front position lamp ⁽¹⁾, ~~rear position lamp~~ ⁽¹⁾, ~~stop lamp~~ ⁽¹⁾, ~~end-outline marker lamp~~ ⁽¹⁾ is only for use on a vehicle fitted with a tell-tale indicating failure: ~~yes~~/no ⁽¹⁾



9.2. Savstarpēji atkarīgu lukturu, kas ir savstarpēji atkarīgu lukturu sistēma, funkcija(-as):

Functions(s) produced by an interdependent lamp forming part of an interdependent lamp system:

| | |
|--------------------------------------------------------------|----------------------------------------------------------|
| Priekšējie gabarītgaismas lukturi Front position lamp | jā/nē ⁽¹⁾ yes/no ⁽¹⁾ |
| R1 Pakaļējie gabarītgaismas lukturi R1 Rear position lamp | jā/nē ⁽¹⁾ yes/no ⁽¹⁾ |
| R2 Pakaļējie gabarītgaismas lukturi R2 Rear position lamp | jā/nē ⁽¹⁾ yes/no ⁽¹⁾ |
| S1 Bremžu signāllukturis S1 Stop lamp | jā/nē ⁽¹⁾ yes/no ⁽¹⁾ |
| S2 Bremžu signāllukturis S2 Stop lamp | jā/nē ⁽¹⁾ yes/no ⁽¹⁾ |
| S3 Bremžu signāllukturis S3 Stop lamp | jā/nē ⁽¹⁾ yes/no ⁽¹⁾ |
| S4 Bremžu signāllukturis S4 Stop lamp | jā/nē ⁽¹⁾ yes/no ⁽¹⁾ |
| Kontūrgaismas lukturis End-outline marker lamp | jā/nē ⁽¹⁾ yes/no ⁽¹⁾ |

10. Apstiprinājuma marķējuma novietojums:

Position of the approval mark:

Uz gaismas izkļiedētāja

On the lens

11. Paplašināšanas pamatojums (ja piemērojams):

Reason(s) for extension (if applicable):

Nav attiecināms

Not applicable

12. Apstiprinājums ~~piešķirts/paplašināts/atteikts/atsaukts~~ ⁽¹⁾

Approval ~~granted/extended/refused/withdrawn~~ ⁽¹⁾

13. Vieta:

Place:

S.Eizenšteina iela 6, Rīga,

LV-1079, Latvija

14. Datums:

Date:

12.12.2017.

15. Paraksts:

Signature:

Jānis Liepiņš

16. Šim paziņojumam pievienots dokumentu saraksts, kuri deponēti tipa apstiprinātājā iestādē, kas piešķir apstiprinājumu, un kurus var saņemt pēc pieprasījuma.

The list of documents deposited with the Administrative Service, which has granted approval, is annexed to this communication and may be obtained on request.

Pievienotie dokumenti:
Attachments:

Informācijas pakete.
Information package.

112602C-00, 03.11.2017.

Pārbaudes protokols.
Test report.

87-R7-1826/17-00, 21.11.2017.



⁽¹⁾ Lieko svītrot.
Strike out what does not apply.

Application date : November 03, 2017

1. Specification data

| | | | |
|----------------------------------------------------|---------------------------|----------------------------------------|----------------|
| Type | | 112602C | |
| Function | | Front position lamp | |
| Emitted colour | | White | |
| Rated | Voltage | 12V | |
| | Wattage | 0.5W | |
| Applicable Regulation (ECE) | | R7.02 Category A | |
| Number and category of filament lamp(light source) | | 2 LEDs Non-replaceable light source | |
| Location of marking | Rated voltage and wattage | Marked on Housing | |
| | Trade mark | HOJA | Marked on Lens |
| | Approval mark | Marked on Lens | |

2. Construction and material

| Construction | Material | Remarks |
|-------------------|--------------------------------|---------|
| Lens | PC | Clear |
| Reflector | PCB Plate | Black |
| Housing | ABS | Black |
| Electrical wiring | Copper covered with insulation | - |

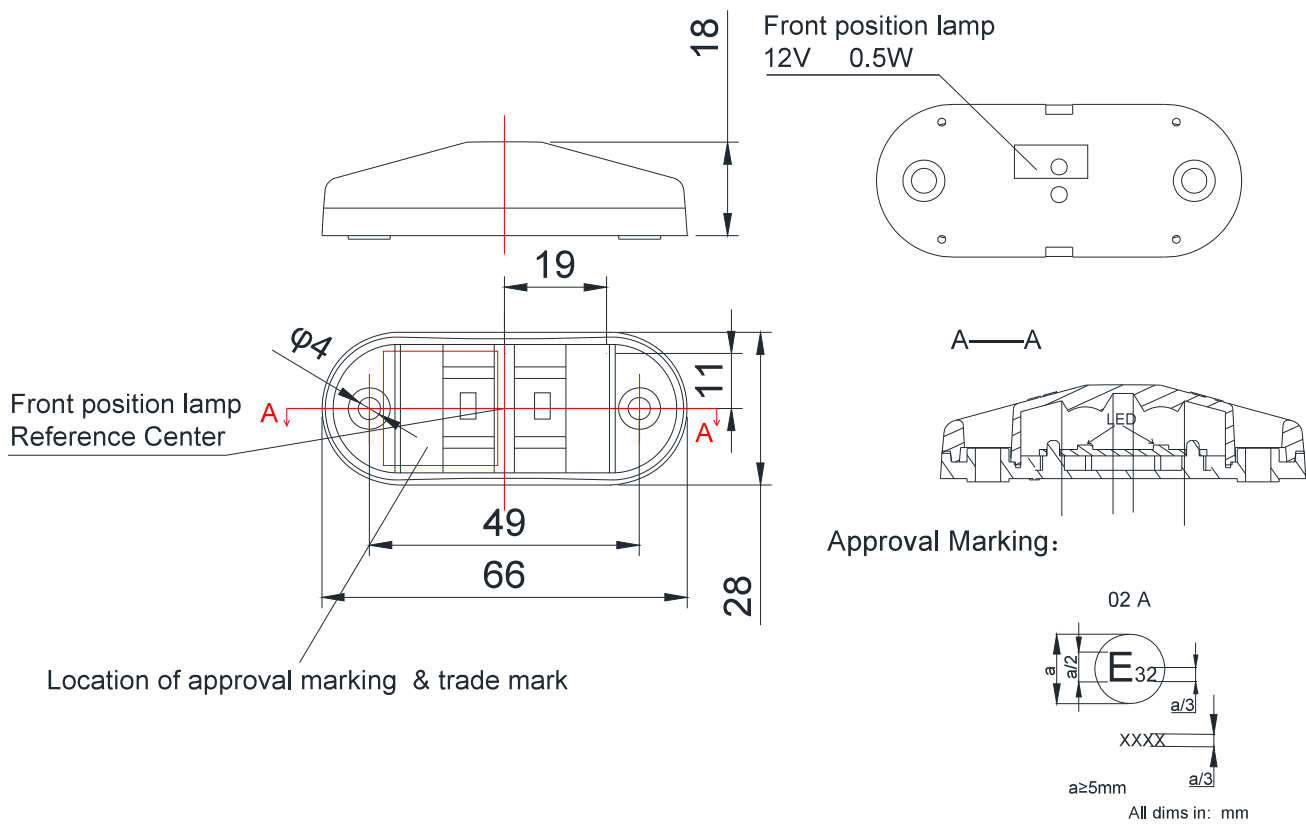
3. Name and address of manufacturer : Yuyao Hoja Lighting Products Co., Ltd.
A Section, Huangjiabu Industrial Development Zone,
Yuyao City, Zhejiang Province, 315400 China

4. Name and address of authorized representative, if any : Not applicable

This information document consists of 3 pages.



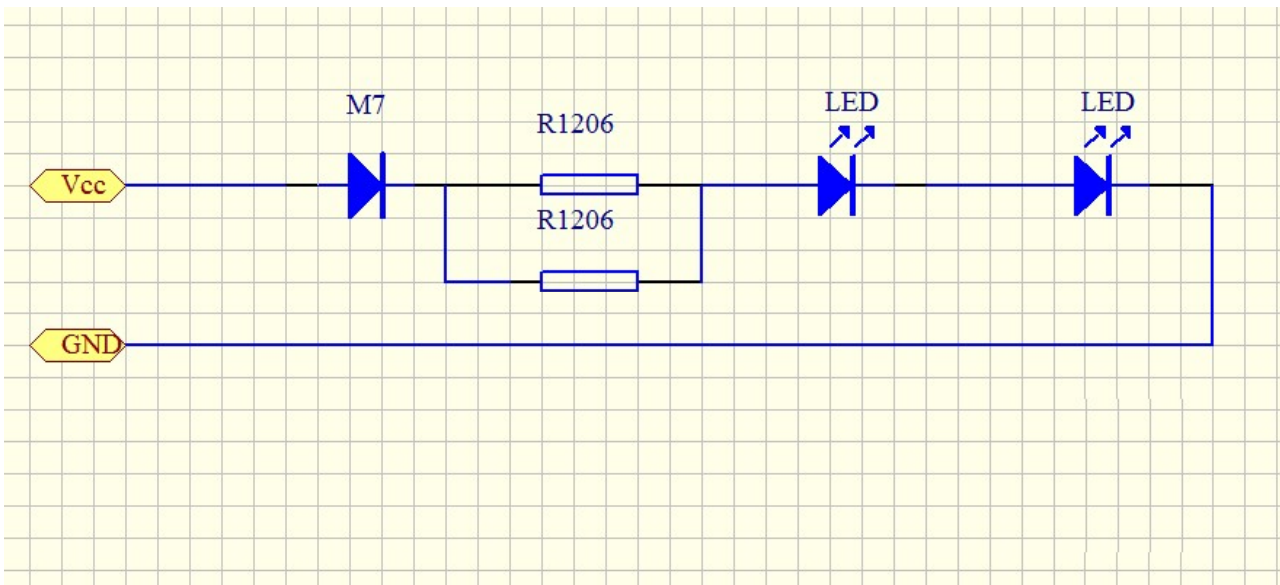
E32*7R02/26*0075*00



| | | | |
|------|---------------------|------|---------|
| Name | Front position lamp | Type | 112602C |
|------|---------------------|------|---------|

Yuyao Hoja Lighting Products Co., Ltd.

E32*7R02/26*00/5*00



Front position lamp: 2 LEDs, 12V 0.5W
Non-replaceable light source



| | | | |
|----------------------------------------|---------------------|------|---------|
| Name | LED circuit diagram | Type | 112602C |
| Yuyao Hoja Lighting Products Co., Ltd. | | | |

Manufacturer : Yuyao Hoja Lighting Products Co., Ltd.
Type : 112602C

TEST REPORT

according to ECE-Regulation

Uniform provisions concerning the approval of front and rear position lamps, stop-lamps and end-outline marker lamps for motor vehicles(except motor cycles) and their trailers

ECE-R7

including all amendments until

series of Amendments: 02
Supplement 26

| | |
|--------------------|-------|
| Previously granted | |
| ECE - certificate | : --- |

Structure of report:

0. General information
1. Test object(s) and general test information
2. Test minutes
3. Remarks concerning tested object(s)
4. Appendices
5. Statement of conformity

The Test Report shall be reproduced and published in full by the client only. It shall however be reproduced partially with the written permission of the Testing Laboratory only.



E32*7R02/26*0075*00

Manufacturer : Yuyao Hoja Lighting Products Co., Ltd.
Type : 112602C

0. General information

- 0.1. Trademark or trade name of the lamp : **HOJA**
- 0.2. Manufacturer's name for the type of the lamp : 112602C
- 0.3. Name and address of the manufacturer : Yuyao Hoja Lighting Products Co., Ltd.
A Section, Huangjiabu Industrial Development Zone,
Yuyao City, Zhejiang Province, 315400 China
- 0.4. Name and address of manufacturer's authorized representative : ---
- 0.5. No. of information folder : 112602C-00
date of issue : November 03, 2017
date of last amendment : ---

1. Test object(s) and general test information

- 1.1. Test object(s)
- 1.1.1. ~~Vehicle~~/ object
- Commercial description : Not Applicable
- Type(s) /~~variant(s)~~/version(s) : 112602C
- Remark : 2 LEDs, non-replaceable light source
- 1.1.2. Condition of ~~vehicle(s)~~/ Object(s) : new, ~~used, pretested~~
- 1.2. Worst case selection : The determination of the worst case was done according to internal procedures of the Technical Service (QMA 1.301.005, section 6.2.2.2.).
- 1.2.1. Test date : November 10, 2017
- 1.2.2. Test site : Automotive Component Testing Center Of Ningbo
No. 99, Jingu South Road, Yinzhou Investment & Business Incubation, 315104, Ningbo, P.R. China
- 1.2.3. Remark : The results of the test refer exclusively to the object(s) mentioned under point 1.1 of this report.



E32*7R02/26*0075*00

Manufacturer : Yuyao Hoja Lighting Products Co., Ltd.
Type : 112602C

2. Test minutes

2.1. Test facilities : The test facilities are in compliance with the requirements of the regulation.

2.2. Test results : ~~The type has been examined according to the amendments mentioned in appendix 0.~~

~~An actual test of the type was not required. The results of the previous tests are still valid.~~

Markings : The trade mark is marked clearly legible and indelible on the lens ~~and on the housing~~ of the lamp.

The rated voltage and rated wattage is clearly legible and indelible marked ~~on the lens and~~ on the housing of the lamp.

Space for the approval mark and for additional symbols is provided on the lens (the lens can not be separated from the housing).

2.3. General specifications : The lamps are designed and made that under normal use their satisfactory operation is ensured and they retain the required characteristics.

The colour of the light emitted is within the limits of the coordinates for WHITE as prescribed in Para.8 of the Regulation.

2.4. Photometric tests : The light intensity was measured after 1 minute burning period and after 30 minutes burning in reference axis. The distribution of the light intensity after 1 minute burning period was calculated using the ratio of the two described measurements. The light intensity and its distribution are in compliance with the requirement after 1 minute burning period and after 30 minutes burning period.

The light distribution angles and levels of intensity have been measured in accordance with Annex 4 of the Regulation, based on the manufacturer's indication of the centre of reference and axis of reference.

All light sources are connected in a series as one light source.



E32*7R02/26*0075*00

Manufacturer : Yuyao Hoja Lighting Products Co., Ltd.
Type : 112602C

Results of photometric tests of the **front position lamp, category A** (tested with 13.5V)

measured after **1 minute** burning period when all light sources lit

| | light intensity of the lamps in reference axis [cd] | allowable maximum | required minimum |
|--------------|--------------------------------------------------------|----------------------|---------------------|
| sample no. 1 | 10.61 | 140 | 4 |
| sample no. 2 | 11.93 | 140 | 4 |

measured after **30 minutes** burning period when all light sources lit

| distribution of the intensity of the lamps in [cd] | | | | | | | | |
|----------------------------------------------------|------|-------|-------|-------|-------|-------|-------|-------|
| horizontal angle | | L20° | L10° | L5° | V | R5° | R10° | R20° |
| vertical angle required minimum intensity | U10° | - | - | 0.8 | - | 0.8 | - | - |
| | U5° | 0.4 | 0.8 | - | 2.8 | - | 0.8 | 0.4 |
| | H | - | 1.4 | 3.6 | 4 | 3.6 | 1.4 | - |
| | D5° | 0.4 | 0.8 | - | 2.8 | - | 0.8 | 0.4 |
| | D10° | - | - | 0.8 | - | 0.8 | - | - |
| vertical angle sample no. 1 | U10° | - | - | 12.62 | - | 12.14 | - | - |
| | U5° | 10.02 | 10.65 | - | 10.79 | - | 9.95 | 8.96 |
| | H | - | 10.15 | 10.19 | 10.53 | 10.07 | 9.75 | - |
| | D5° | 9.41 | 10.34 | - | 10.77 | - | 10.00 | 9.04 |
| | D10° | - | - | 11.20 | - | 11.03 | - | - |
| vertical angle sample no. 2 | U10° | - | - | 14.22 | - | 13.79 | - | - |
| | U5° | 11.14 | 11.91 | - | 12.39 | - | 11.58 | 10.59 |
| | H | - | 11.45 | 11.63 | 11.77 | 11.47 | 10.93 | - |
| | D5° | 10.69 | 11.51 | - | 11.93 | - | 10.96 | 10.14 |
| | D10° | - | - | 13.46 | - | 12.93 | - | - |

| | sample no. 1 | sample no. 2 | allowable maximum | required minimum |
|---------------------------------------------------------------------------------------|--------------|--------------|----------------------|---------------------|
| maximum intensity [cd] | 15.78 | 16.87 | 140 | 4 |
| minimum intensity in the fields defined in Annex 1 of the Regulation [cd] | 0.498 | 0.527 | - | 0.05 |

E32*7R02/26*0075*00

Manufacturer : Yuyao Hoja Lighting Products Co., Ltd.
Type : 112602C

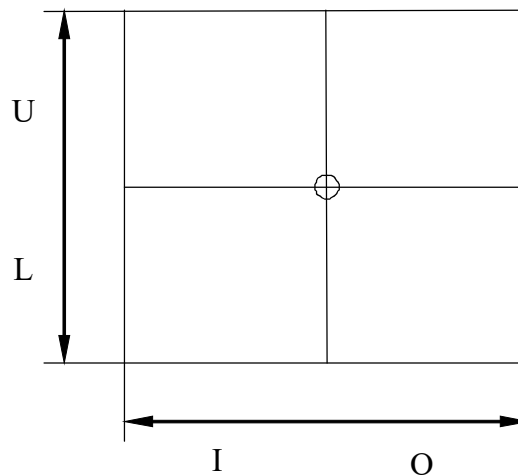
2.5. Colour test : The CIE trichromatic coordinates of the light emitted by lamp are within the limits for white prescribed in the paragraph 2.29. of the Regulation No.48.

| Chromatic coordinates | Reference axis | |
|-----------------------|----------------|--------------|
| | sample no. 1 | sample no. 2 |
| x | 0.3704 | 0.3776 |
| y | 0.3630 | 0.3706 |

2.6. Illuminating surface : Vertical and horizontal outlines of the illuminating surface of the light-signalling device in relation to the centre of reference and in accordance with Annex 3 of the Regulation No. 48

Definition of the illuminating surface of the device

⊕ centre of reference



| function | upper boundary (U) [mm] | lower boundary (L) [mm] | inner boundary (I) [mm] | outer boundary (O) [mm] |
|---------------------|-------------------------|-------------------------|-------------------------|-------------------------|
| front position lamp | 10 | 10 | 17 | 17 |

2.7. Explanatory note : Not applicable



E32*7R02/26*0075*00

Manufacturer : Yuyao Hoja Lighting Products Co., Ltd.
Type : 112602C

3. Remark concerning tested object(s)

All versions of the lamps as stated in the information document are covered with the tested version(s) and test object(s) respectively.

4. Appendices

- 0 List of modifications
1 Information folder no. : 112602C-00

5. Statement of conformity

The in point 0.5. mentioned information folder and the type described in that comply with the requirements mentioned on page 1.

With regard to the required level of performance to be achieved, the tested items were representative for the type to be approved (see point 1.2).

The mentioned test results refer to the vehicle(s)/object(s) described under point 1.1. of this report.

Engineering Centre Shanghai, November 21, 2017
HH/ EY



Heng Huang
Expert Technical Service



E32*7R02/26*0075*00

Manufacturer : Yuyao Hoja Lighting Products Co., Ltd.
Type : 112602C

List of modifications

Appendix 0

Correction of : ---

Modification of : ---

Addition of : ---

Deletion of : ---



E32*7R02/26*0075*00