



GRAND-DUCHÉ DE LUXEMBOURG

Ministère du Développement durable  
et des Infrastructures  
Département des Transports

L-2938 Luxembourg

SOCIÉTÉ NATIONALE DE  
CERTIFICATION ET D'HOMOLOGATION

s.à r.l.

Registre de Commerce: B.27180



L-5201 Sandweiler



Référence: E13\*65R00\*65R00\*0074\*00

Annexes: - Rapport technique  
- Fiche de renseignements du constructeur

Sandweiler, le 29 avril 2016

## COMMUNICATION



concernant 2/: - **HOMOLOGATION ACCORDEE**  
concerning 2/: APPROVAL GRANTED  
- **HOMOLOGATION ETENDUE**  
APPROVAL EXTENDED  
- **HOMOLOGATION REFUSEE**  
APPROVAL REFUSED  
- **HOMOLOGATION RETIREE**  
APPROVAL WITHDRAWN  
- **ARRET DEFINITIF DE LA PRODUCTION**  
PRODUCTION DEFINITELY DISCONTINUED

d'un type de feu spécial d'avertissement pour automobiles, application du Règlement N° 65  
of a type of special warning lamp for motor vehicles, pursuant to Regulation N° 65

Numéro d'homologation:  
Approval number:

E13\*65R00\*65R00\*0074\*00

Marque d'homologation:  
Approval mark:

refer to the manufacturer's information document

- Feu spécial d'avertissement / tournant / à éclat stationnaire / à éclat directionnel / rampe complète / demi-rampe / de couleur bleue / de couleur jaune-auto / de couleur rouge 2/:**  
Special warning lamp / rotating / stationary flashing lamp / directional flashing lamp / complete bar / half bar / blue / amber / red 2/:  
stationary flashing lamp / amber  
Type: E-R65-3640
- Le feu spécial d'avertissement a un / deux niveau(x) d'intensité 2/:**  
**Le feu spécial d'avertissement est composé de ... unité distinctes.**  
Special warning lamp has one / two level(s) of intensity 2/:  
Special warning lamp consist of ... separate units.  
one level of intensity  
consists of 1 separate unit
- Pour les feux spéciaux d'avertissement ayant deux niveaux d'intensité, système employé pour obtenir une intensité renforcée de jour:**  
For special warning lamps having two levels of intensity, indicate the system used to obtain increased intensity at day-time:  
not applicable / current limitation during night-time run

4. **Source lumineuse utilisée,**  
Used light source,
- Catégorie de lampe à incandescence .. ou** No  
Category of filament lamp or
- Source lumineuse à décharge ---** No  
**oui / non 2/ -- ou**  
Gas discharge light source yes / no 2/ or
- Source lumineuse à DEL oui / non 2/ -- ou** Yes  
LED yes / no 2/ or
- Module d'éclairage : oui / non 2/** No  
Light source module: yes / no 2/
- Code d'identification spécifique du module d'éclairage:** not applicable  
Light source module specific identification code:
5. **Tension nominale de feu spécial d'avertissement;** 12V  
Rated voltage of special warning lamp:
6. **Marque ou désignation commerciale:** refer to the manufacturer's information document  
Trade name or mark:
7. **Nom et adresse du fabricant:** ETHER PHOTOELCTRIC LIMITED  
Manufacturer's name and address: 6F, Huazi Industrial Park, Shilou Town, panyu District, Guangzhou City, Guangdong province, P.R. China
8. **Le cas échéant, nom et adresse du représentant du fabricant:** not applicable  
If applicable, name and address of the manufacturer's representative:
9. **Présenté à l'homologation le:** 16.03.2016  
Submitted for approval on:
10. **Autorité déléguée:** Société Nationale de Certification et d'Homologation  
Assigned authority: L-5201 Sandweiler
- Service technique chargé des essais d'homologation:** Luxcontrol SA  
Technical service responsible for approval tests: B.P. 349  
L-4004 Esch-sur-Alzette
11. **Date du procès-verbal délivré par ce service:** 14.04.2016  
Date of test report issued by that service:
12. **Numéro du procès-verbal délivré par ce service:** LCA 51 1170 002 16  
Number of test report issued by that service:

13. **L'homologation est 2/:** accordée / refusée / étendue / retirée  
Approval 2/: granted / refused / extended / withdrawn
14. **Motif(s) de l'extension (le cas échéant):** not applicable  
Reason(s) of extension (if applicable):
15. **Lieu:** Sandweiler  
Place:
16. **Date:** 29 avril 2016  
Date:
17. **Signature:**  
Signature:

Pour le Département des Transports

Pour la SNCH



**Marco FELTES**  
Inspecteur Principal 1<sup>er</sup> en rang



**Claude LIESCH**  
Directeur



18. **On trouvera en annexe à la présente communication, la liste des pièces constituant le dossier d'homologation déposé auprès du Service administratif qui a accordé l'homologation: ces pièces peuvent être obtenus sur demande:** voir "INDEX DU DOSSIER D'HOMOLOGATION" ci-joint /  
The list of documents filed with the administration service which has granted approval and available on request is annexed to this communication: see "INDEX TO TYPE-APPROVAL REPORT"

2/ Biffer les mentions qui ne conviennent pas/ Strike out what does not apply



GRAND-DUCHÉ DE LUXEMBOURG

Ministère du Développement durable  
et des Infrastructures  
Département des Transports

L-2938 Luxembourg

SOCIÉTÉ NATIONALE DE  
CERTIFICATION ET D'HOMOLOGATION

s.à r.l.

Registre de Commerce: B 27180



L-5201 Sandweiler



Référence: E13\*65R00\*65R00\*0074\*00

Annexes: - Rapport technique  
- Fiche de renseignements du constructeur

Sandweiler, le 29 avril 2016

## Index du dossier d'homologation

Index to type-approval report

**Numéro d'homologation:**

Approval number:

E13\*65R00\*65R00\*0074\*00

**Révision:**

Revision:

00

**Marque de fabrique ou de commerce:**

Trade name or mark:

refer to the manufacturer's information document

**Type:**

Type:

E-R65-3640

1.

**Procès-verbal d'essai:**

Test report:

N° LCA 51 1170 002 16

- Technical report:
- Index to information package:
- Test results:

Pages 1 to 6  
Annex A - Page 1  
Annex B - Pages 1 to 3

2.

**Dossier du constructeur:**

Report of the manufacturer:

N° 16-0119

- Manufacturer's information document  
& drawings:

Pages 1 to 5

3.

**Autres documents annexés:**

Other documents annexed:

not applicable

4.

**Date de délivrance de l'homologation  
initiale:**

Date of issue of initial type approval:

29.04.2016

5.

**Date de la dernière délivrance de pages  
révisées:**

Date of last issue of revised pages:

not applicable

6.

**Date de la dernière délivrance d'une  
homologation révisée:**

Date of last extension:

not applicable



## TECHNICAL REPORT

No.: **LCA 51 1170 002 16**

Inspection concerning the

**Special warning lights for motor vehicles**

performed according to

**ECE-Regulation No. 65**

Type: **E-R65-3640**

Manufacturer: **ETHER PHOTOELECTRIC LIMITED**  
**6F, Huazi Industrial Park, Shilou Town,**  
**panyu District, Guangzhou City,**  
**Guangdong province, P.R. China**

### Index:

1. General	2
2. Inspections and their results	3
3. Evaluation of test results	5
4. Statement of compliance	6
Annex (beginning with an index)	

A reproduction of this report and its annexes, except in full, is prohibited without the written permission of Luxcontrol s.a.

...

**Luxcontrol SA**

1, Av. des Terres Rouges  
BP 349  
L-4004 Esch-sur-Alzette  
LUXEMBOURG

Tél: ++352-54.77.11-1  
Fax: ++352-54.77.11-203  
E-Mail: info@luxcontrol.com  
Int.: www.luxcontrol.com  
N ident: LU 113 536 61  
RC Lux.: B15664

Fortis Banque Luxembourg  
IBAN: LU56 0030 1612 0727 0000  
BIC: BGLLLULL  
Dexia-BIL  
IBAN: LU48 0026 1824 1543 2600  
BIC: BILLULL

E13\*65R00\*65R00\*0074\*00

Société Nationale de Certification et d'Homologation



1. **General**

1.1. **Test Provisions**

The inspection was carried out according to the requirements of the ECE-Regulation No. 65, including Supplement 9 to the 00 series of amendments which entered into force on October 9, 2014.

1.2. **Information concerning the device and the requested approval**

The statements below apply to the previous ECE type-approval as referred to on page 1.

1.2.1. [ ] Numbering according to the communication concerning the approval following ECE-R65.

[1.] **Special warning lamp** /rotating/ **stationary flashing lamp** /directional flashing lamp/ complete bar / blue / **amber** /red

**Type: E-R65-3640**

[2.] Special warning lamp has **one** /two level(s) of intensity:

Special warning lamp consists of **1** separate unit.

[3.] For special warning lamps having two levels of intensity, indicate the system used to obtain increased intensity at day-time:

**Not applicable**

[4.] Used light-source,

- category of filament lamp: **no**

- gas discharge light source **yes** / **no** or

- LED **yes** / **no** or

Light source module: **yes** / **no**

Light source module specific identification code: **not applicable**

[5.] Rated voltage of special warning lamp:

**12V**

[6.] Trade name or mark:

...



[7.] Manufacturer's name and address:

**ETHER PHOTOELECTRIC LIMITED**  
**6F,Huazi Industrial Park ,Shilou Town, panyu District , Guangzhou**  
**City, Guangdong province, P.R. China**

[8.] If applicable, name and address of manufacturer's authorized representative:

**Not applicable**

[9.] Submitted for approval on:

**March 16, 2016**

[14.] Reason(s) for extension:

**Not applicable**

## 2. Inspections and their results

### 2.1. Version of the tested vehicle / technical unit / component

Following samples have been used for testing:

- 2 samples with amber light and 12V voltage

### 2.2. Inspection items

	Location of test:	Date of receipt of test item:	Date of test:	Inspector:
Main report	ISOQA, Taiwan, ROC	March 16, 2016	March 16 - 21 , 2016	L. Lee A. Tang

#### 2.2.1. Markings:

The trademark is marked clearly legible and indelible on the device.

The rated voltage and the category of the light source are clearly and indelible marked on the lamp.

Space for the approval mark and additional symbols is provided on the device, which is permanently connected to the base of the device.

#### 2.2.2. General specifications

Requirements with voltage higher than 50 V: **not applicable.**

After mounting of the device, no maladjustment is possible.

Requirements for frequency on-time and off-time:

See Annex B.

...



2.2.3. Photometric specifications

The light distribution angles and levels of intensity have been measured in accordance with Annex 5 of the Regulation, after 1min and after 30min.

See Annex B

2.2.4. Colour

The requirements for colour are fulfilled. See Annex B.

2.3. Explanatory note

2.3.1. General

Inspection results are only applicable to the ~~vehicle / technical unit~~ / components which have been tested.

2.4. Test facilities

Calibration of measuring and test equipment used to carry out the inspections is in accordance with the EEC-Directive and/or ECE-Regulation stated in 1.1. of this report and with ISO 17025.

...





3. **Evaluation of test results**

3.1. **Variants and equipment covered**

The tests carried out cover the following variations:

- Not applicable

3.2. **Remarks**

3.2.1. **Main report:**

Not applicable.

...



4. **Statement of compliance**

The inspections and measurements carried out have shown the compliance of the device described in this report and the attached Annex with the requirements of the ECE-Regulation No. 65, including supplement 9 to the 00 series of amendments which entered into force on October 9, 2014.

Shanghai, April 14, 2016

Luxcontrol s.a.  
Service Homologation-automobile

Leonie Lee  
Ingénieur-Inspecteur

Jason Shih  
Ingénieur-Inspecteur

**Annex**



\* LCA 51 1170 002 16 \* ETHER PHOTOELECTRIC LIMITED \* E-R65-3640 \*--\*R65\* Annex A, Page 1

---

Index to the information package, including a summary in chronological order, concerning extensions and/or amendments

**ECE type-approval No.: E13\*65R00\*65R--\*--\*00**

---

### **Main Report**

Technical Report No.: LCA 51 1170 002 16 Page 1 to 6

### **Composition of the Annex:**

A: Index	Page 1
B: Test results	Page 1 to 3
C: Information folder	Page 1 to 5

### **Index to the information folder:**

- manufacturer's information document & drawings (pages 1 to 5)
- 





## Photometric specifications

Record No.	16-0119	Approval No.	0074
Requirement	ECE R65 Clause 6 Annex 5	Function	Special warning lamp
Subject	E-R65-3640	Date	16 March 2016

12 V  
Min

Test Point	minimum (cd)	Sample. 1		Sample. 2		Result	max
		1 min	30 mins	1 min	30 mins		
H V	100	183.68	174.19	169.43	165.15	T T	700
2U V	-	191.47	181.58	158.44	154.44	T T	700
2D V	-	181.47	172.09	162.83	158.72	T T	700
8U V	70	128.09	121.47	96.91	94.46	T T	600
8D V	70	111.42	105.66	118.88	115.88	T T	600
Outside the above areas	-	75.83	71.91	90.31	88.03	T T	300

Max

Test Point	minimum (cd)	Sample. 1		Sample. 2		Result	max
		1 min	30 mins	1 min	30 mins		
H V	100	200.56	195.55	188.71	183.08	T T	700
2U V	-	193.26	188.43	184.58	179.07	T T	700
2D V	-	180.28	175.78	194.51	188.71	T T	700
8U V	70	126.20	123.05	100.67	97.67	T T	600
8D V	70	111.06	108.29	141.52	137.30	T T	600
Outside the above areas	-	85.11	82.98	107.30	104.10	T T	300



### Requirements for frequency on-time and off-time

Record No.	16-0119	Approval No.	0074
Requirement	ECE R65 Clause 7 Annex 3	Function	Special warning lamp
Subject	E-R65-3640	Date	16 March 2016

Colour: <u>Amber</u>				
Rotating system or flash light sources			category : <u>TAL</u>	
Rated voltage: 12 V			Vaule	Result
Frequency $f$ (Hz)	max	4	2.501	T
	min	2		
ON time $t_{on}$ (s)	max	0.4/f	0.146	T
OFF time $t_{off}$ (s)	min	0.1	0.2538	T

Rated voltage: 12V

Temperature	Frequency at 90% of rated voltage	Frequency at 100% of rated voltage	Frequency at 115% of rated voltage
+23.5°C	2.526	2.526	2.526
-20°C	2.501	-	-
+50°C	2.501	-	-





## Colour

Record No.	16-0119	Approval No.	0074
Requirement	ECE R65 Clause 7 Annex 3	Function	Special warning lamp
Subject	E-R65-3640	Date	16 March 2016

Requirement		Measurement		
<b>Amber</b>	color of light emitted	test point	Sample. 1 (LH)	Sample. 2 (RH)
		x=	0.6017	0.6051
		y=	0.3964	0.3937
Trichromatic Co-ordinates				
Limit toward green :	$y \leq x - 0.120$	=	T	T
Limit toward red :	$y \geq 0.390$	=	T	T
Limit towards white :	$y \geq 0.790 - 0.670$	=	T	T
Remark				

## Rain Test



E-R65-3640 During the Rain Test



E-R65-3640 after rain test

No Water Accumulated After The Rain Test

**ETHER PHOTOELECTRIC LIMITED**

6F, Huazi Industrial Park, Shilou Town, Panyu District, Guangzhou City,  
Guangdong Province, P.R. China

TEL: 86-020-85173655

FAX: 86-020-85173200

MODEL INFORMATION DOCUMENT NO. 16-0119


ECE

**APPLICATION DOCUMENTS**

Device Name: E-R65-3640  
 Initial Application  
 Date: 16 February 2016  
 Manufacturer: ETHER PHOTOELECTRIC LIMITED  
 Address: 6F, Huazi Industrial Park, Shilou Town, Panyu District, Guangzhou City, Guangdong province, P.R. China

## I. SPECIFICATION DATE

## 1. FUNCTION, APPLICABLE REGULATION, LAMP &amp; COLOUR:

TRADE MARK			
FUNCTION	ECE APPLICABLE REGULATION	TYPE OF FILAMENT BULB	COLOUR OF EMIT
- Special warning lamp	R65.00 Category TA1	non-replaceable light source (36 x LEDs)	Amber

2. Drawing No.: E-R65-3640

3. MAKE: E-R65-3640

E13\*65R00\*65R00\*0074\*00

Société Nationale de Certification et d'Homologation

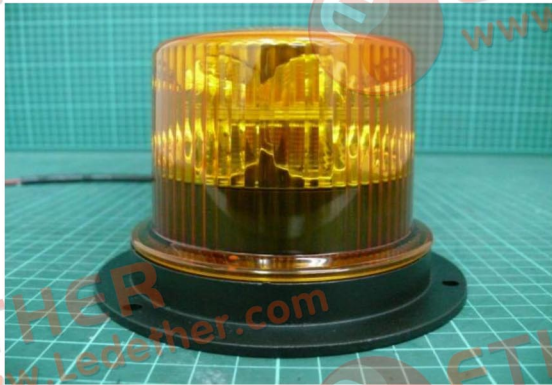
L-5201 SANDWEILER (Luxembourg)

Organisme accrédité OLAS ISO/IEC 17065

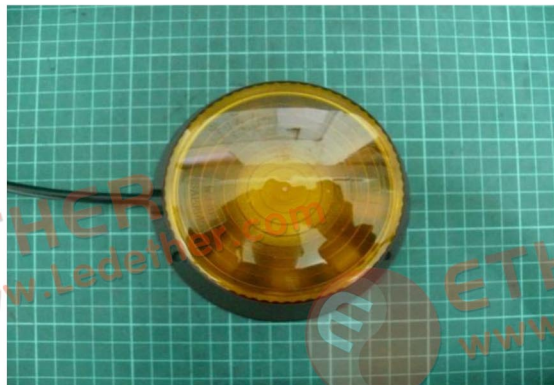
Accréditation N° 5/001 (Portée communiquée sur demande)

ETHER PHOTOELECTRIC LIMITED

E-R65-3640



Front View



ToP View



Bottom View

E13\*65R00\*65R00\*0074\*00

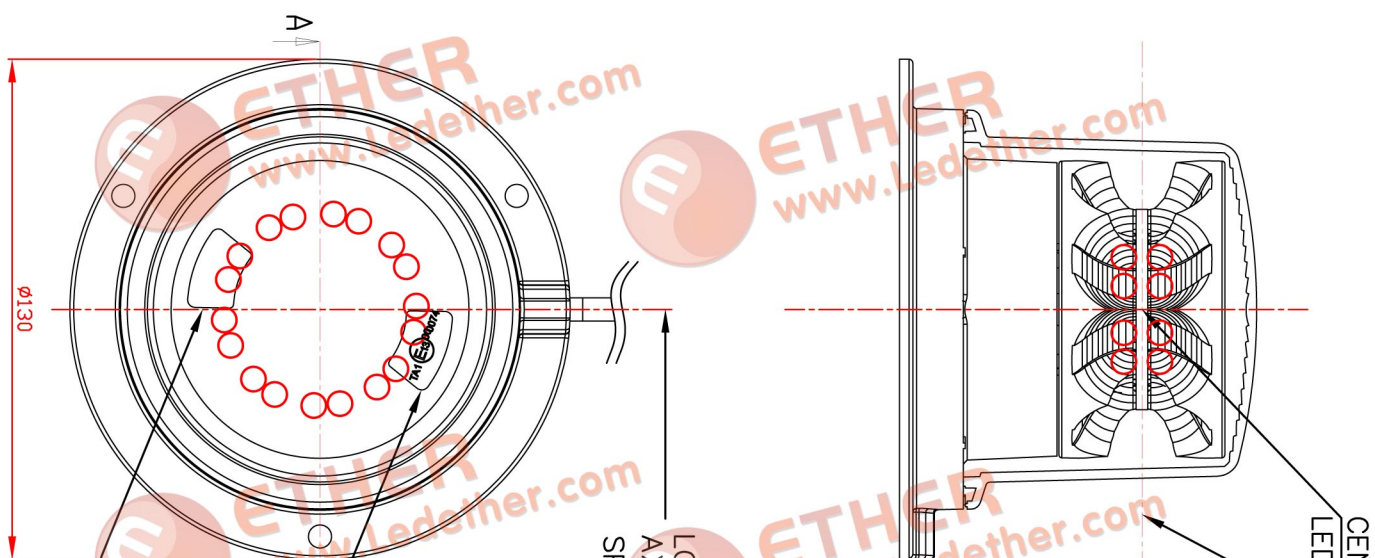
Société Nationale de Certification et d'Homologation

L-5201 SANDWEILER (Luxembourg)

Organisme accrédité OLAS ISO/IEC 17065

Accréditation N° 5/001 (Portée communiquée sur demande)





CENTER OF REFERENCE (36 LED'S)

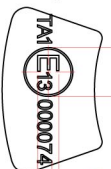
HORIZONTAL PLANE OF VEHICLE

AXIS OF REFERENCE SPECIAL WARNING LAMP

LONGITUDINAL PLANE OF VEHICLE  
AXIS OF REFERENCE  
SPECIAL WARNING LAMP

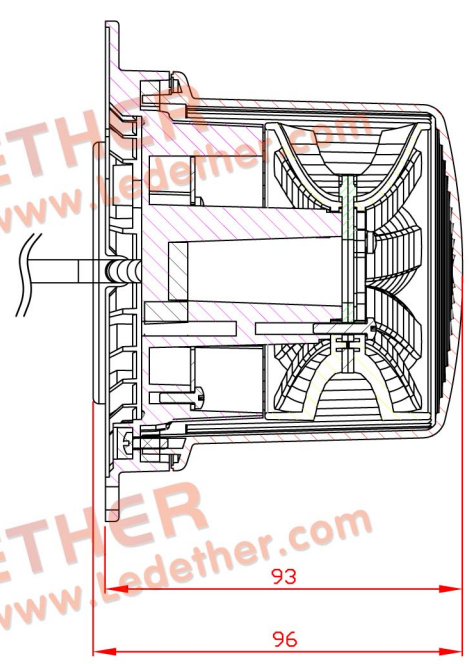


E-MARK

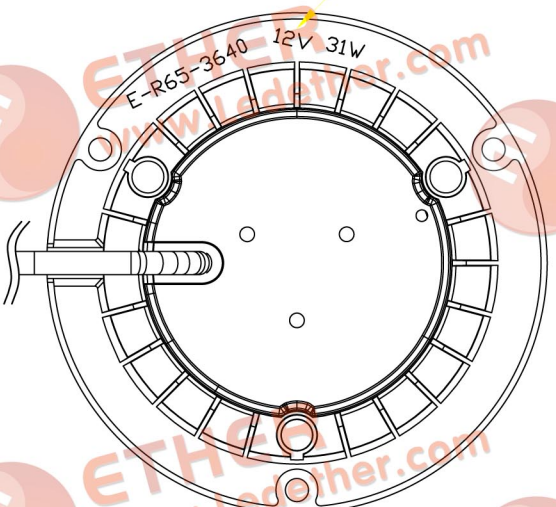


2.12  
3.18

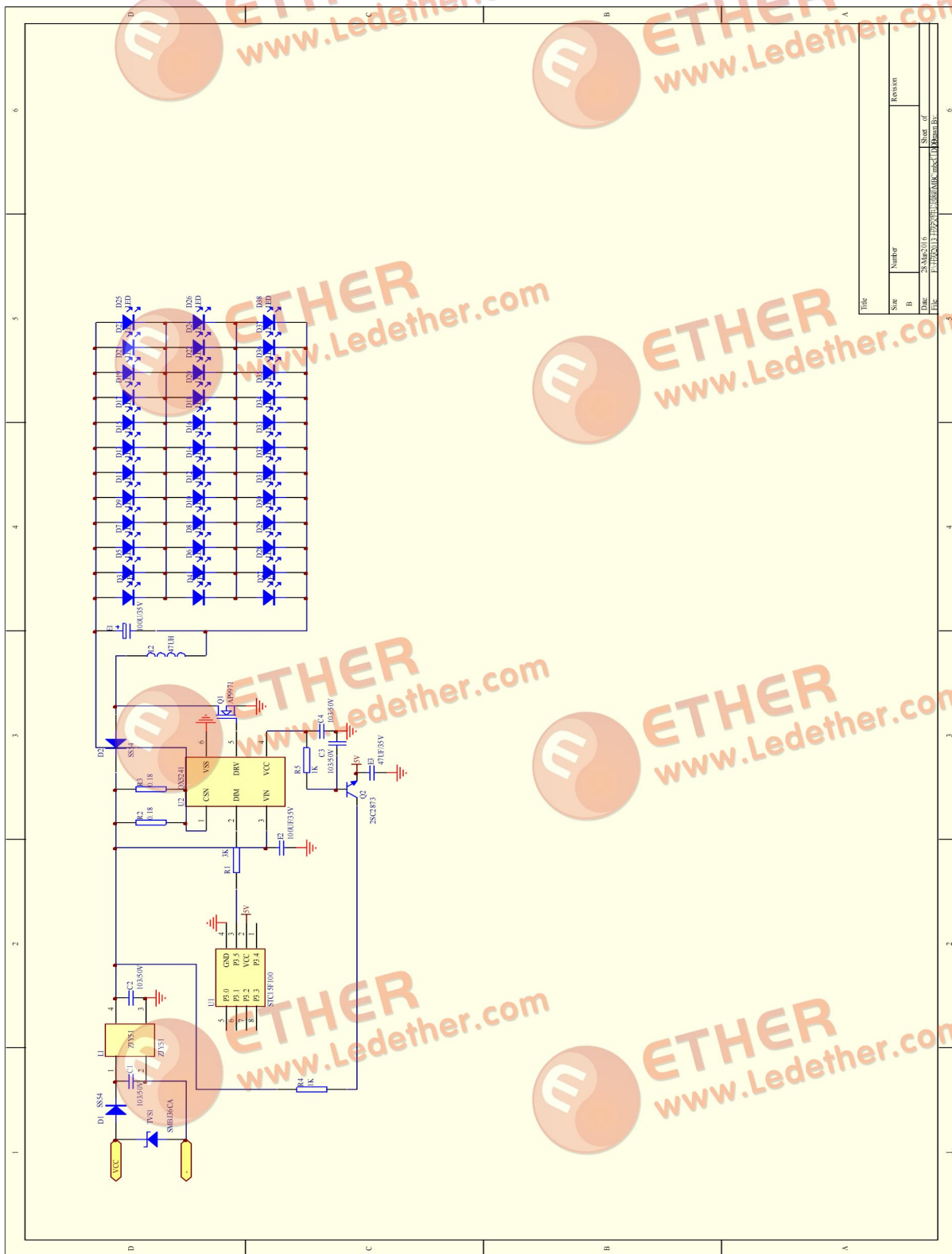
E-R65-3640  
12V 31W



SECTION A-A



MBC WARNING LAMP			
E-R65-3640			
材料			
设计	审核	工艺	
标记处数	方	更改文件号	签名
日期			
批准			
A0	阶数标记	重量	比例
共	页	第	页



E-R65-3640 circuit diagram

