


THE NETHERLANDS
(N E D E R L A N D)**COMMUNICATION**Concerning ⁽¹⁾:

- ~~approval granted~~
- approval extended
- ~~approval refused~~
- ~~approval withdrawn~~
- ~~production definitely discontinued~~

of a type of device pursuant to Regulation number 7.

Approval number: E4-7R-028642**Extension number: 01**

1. Trade name or mark of the device : 
2. Manufacturer's name for the type of device : DF-TRL021/DF-TRL022
3. Manufacturer's name and address : Zhejiang Dahao Automotive Co., Ltd.
Xiaotian Village, Duqiao Town, Linhai City,
Taizhou City, Zhejiang Province, P.R. China
317000
4. If applicable, name and address of the manufacturer's representative : Not applicable
5. Submitted for approval on : 9 September 2014
6. Technical service responsible for conducting approval tests : RDW
P.O. Box 777
2700 AT Zoetermeer
The Netherlands
7. Date of report issued by that service : 10 September 2014
8. Number of report issued by that service : RDW-97/24-0023074

9. Concise description:
- 9.1. By category of lamp: 1) AM
2) RM1
- For mounting either outside or ~~inside or both~~⁽¹⁾: Outside
- Colour of light emitted : 1) ~~red~~/white⁽¹⁾
2) ~~red~~/white⁽¹⁾
- Number, category and kind of light source(s) : Not applicable (Lamp consists of 3 LED's)
- Voltage and wattage : 12V/0.5W
24V/0.5W
- Light source module specific identification code : Not applicable
- Only for limited mounting height of equal to or less than 750 mm above the ground : ~~yes~~/no⁽¹⁾
- Geometrical conditions of installation and relating variations, if any : See information document
- Application of an electronic light source control gear/variable intensity control:
- (a) Being part of the lamp : ~~yes~~/no⁽¹⁾
- (b) Being not part of the lamp : ~~yes~~/no⁽¹⁾
- Input voltage(s) supplied by an electronic light source control gear/variable intensity control : Not applicable
- Electronic light source control gear/variable intensity control manufacturer and identification number (when the light source control gear is part of the lamp but is not included into the lamp body) : Not applicable
- Variable luminous intensity : ~~yes~~/no⁽¹⁾
- 9.2. Function(s) produced by an interdependent lamp forming part of an interdependent lamp system:
- Front position lamp : ~~yes~~/no⁽¹⁾
- R1 Rear position lamp : ~~yes~~/no⁽¹⁾
- R2 Rear position lamp : ~~yes~~/no⁽¹⁾
- S1 Stop lamp : ~~yes~~/no⁽¹⁾
- S2 Stop lamp : ~~yes~~/no⁽¹⁾
- S3 Stop lamp : ~~yes~~/no⁽¹⁾
- S4 Stop lamp : ~~yes~~/no⁽¹⁾
- End-outline marker lamp : ~~yes~~/no⁽¹⁾
10. Position of the approval mark : On the lens

11. Reason(s) for extension (if applicable) : See information document
12. Approval : ~~granted/extended/refused/withdrawn~~⁽¹⁾
13. Place : Zoetermeer
14. Date : 26 April 2017
15. Signature :


Uwe Löbig

16. The list of documents deposited with the Administrative Service which has granted approval, is annexed to this communication and may be obtained on request.
-Information document: DF-TRL021/DF-TRL022-01, 16 pages dated on April 1, 2017.

⁽¹⁾ Strike out what does not apply.


Zhejiang Dahao Automotive Co., Ltd.
Xiaotian Village, Duqiao Town, Linhai City,
Taizhou City, Zhejiang Province, P.R. China 317000

April 1, 2017

Dear Sirs,

We would like to apply for the type approval according to ECE.

Function	ECE approval number
Front end-outline marker lamp	E4-7R-028642 Ext. 01
Rear end-outline marker lamp	E4-7R-028642 Ext. 01

Trade name or mark	:	
Manufacturer's name for type of device	:	DF-TRL021/DF-TRL022
Name and address of manufacturer	:	Zhejiang Dahao Automotive Co., Ltd. Xiaotian Village, Duqiao Town, Linhai City, Taizhou City, Zhejiang Province, P.R. China 317000

We confirm that the above mentioned application has not been submitted to any other EC member state nor has any other member state granted a corresponding approval.

Sincerely




Ms. Jin Lingxiao
Zhejiang Dahao Automotive Co., Ltd.



Information folder No. : DF-TRL021/DF-TRL022-01

First extended date : April 1, 2017

1. Specification data

Type		DF-TRL021/DF-TRL022	
Function		Group lamp	
		Front end-outline marker lamp	Rear end-outline marker lamp
Color		White	Red
Rated	Voltage	Version1: 12V Version2: 24V	Version1: 12V Version2: 24V
	Wattage	Version1: 0.5W Version2: 0.5W	Version1: 0.5W Version2: 0.5W
Application Regulation ECE		ECE R7.02 Cat. AM	ECE R7.02 Cat. RM1
Location of marking	Number and category of light source	3*LED Non-replaceable light source	3*LED Non-replaceable light source
	Marked on housing		
	Trade mark		
	Approval mark	Marked on lens	
Part number		DF-TRL019, DF-TRL023, DF-TRL024, DF-TRL028	

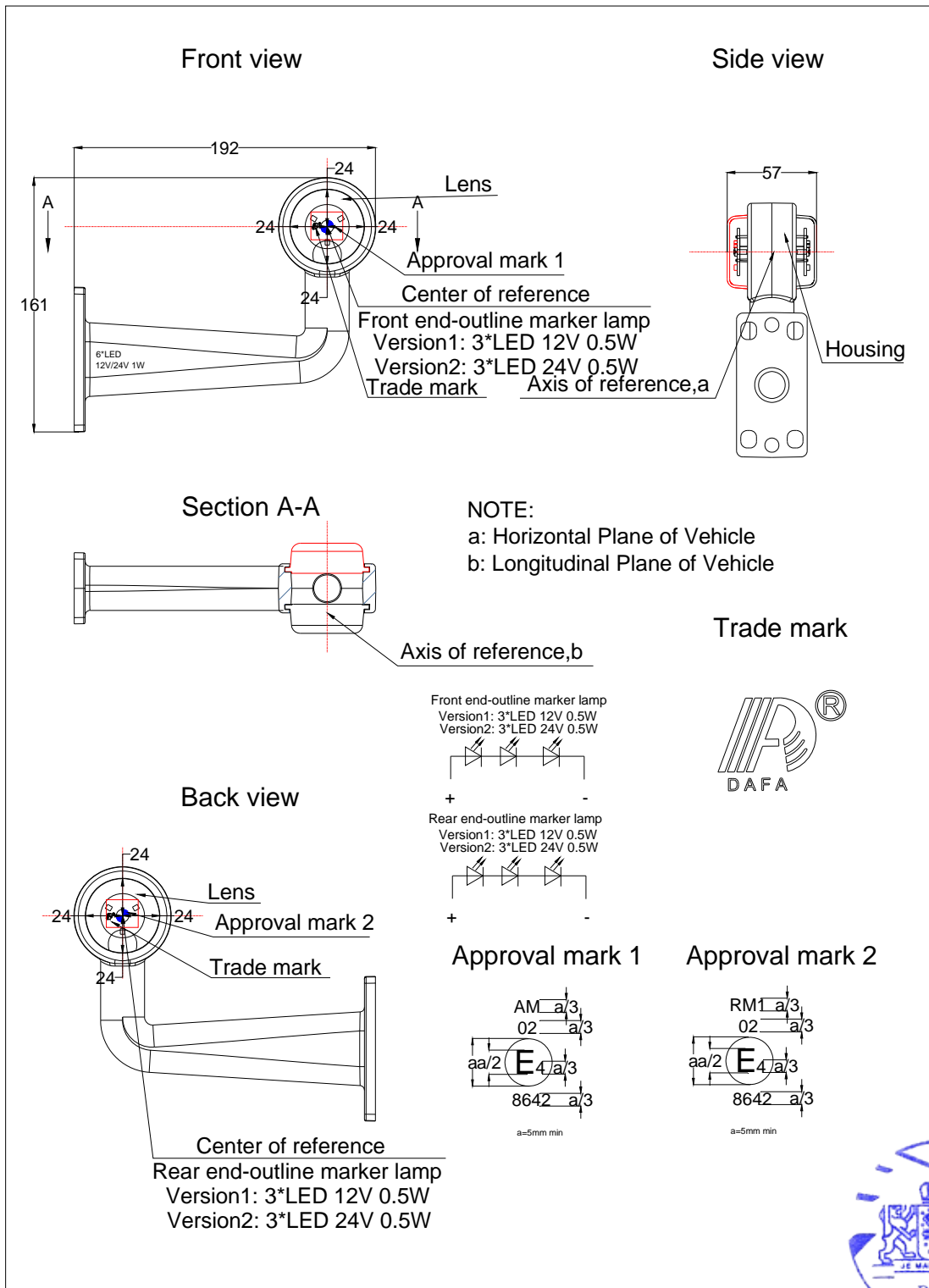
2. Construction and material

Construction	Material	Remarks
Lens	PMMA	Front end-outline marker lamp: White Rear end-outline marker lamp: Red
Reflector	--	--
Housing	Rubber	--
Electrical Wiring	Copper covered with insulation	--

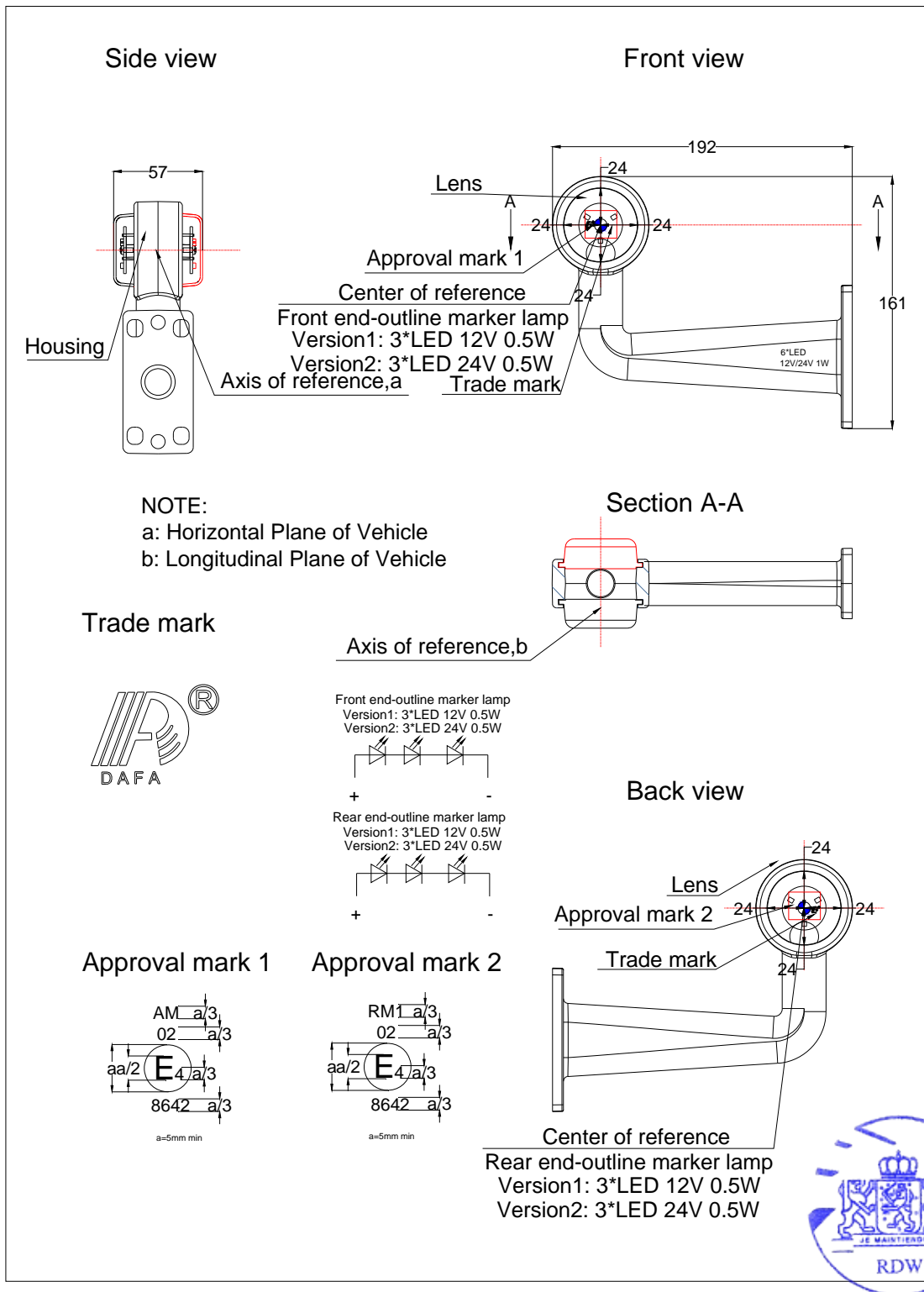
3. Name and address of manufacturer : Zhejiang Dahao Automotive Co., Ltd.
Xiaotian Village, Duqiao Town, Linhai City,
Taizhou City, Zhejiang Province, P.R. China 317000

4. Name and address of the manufacturer's representative : N/A

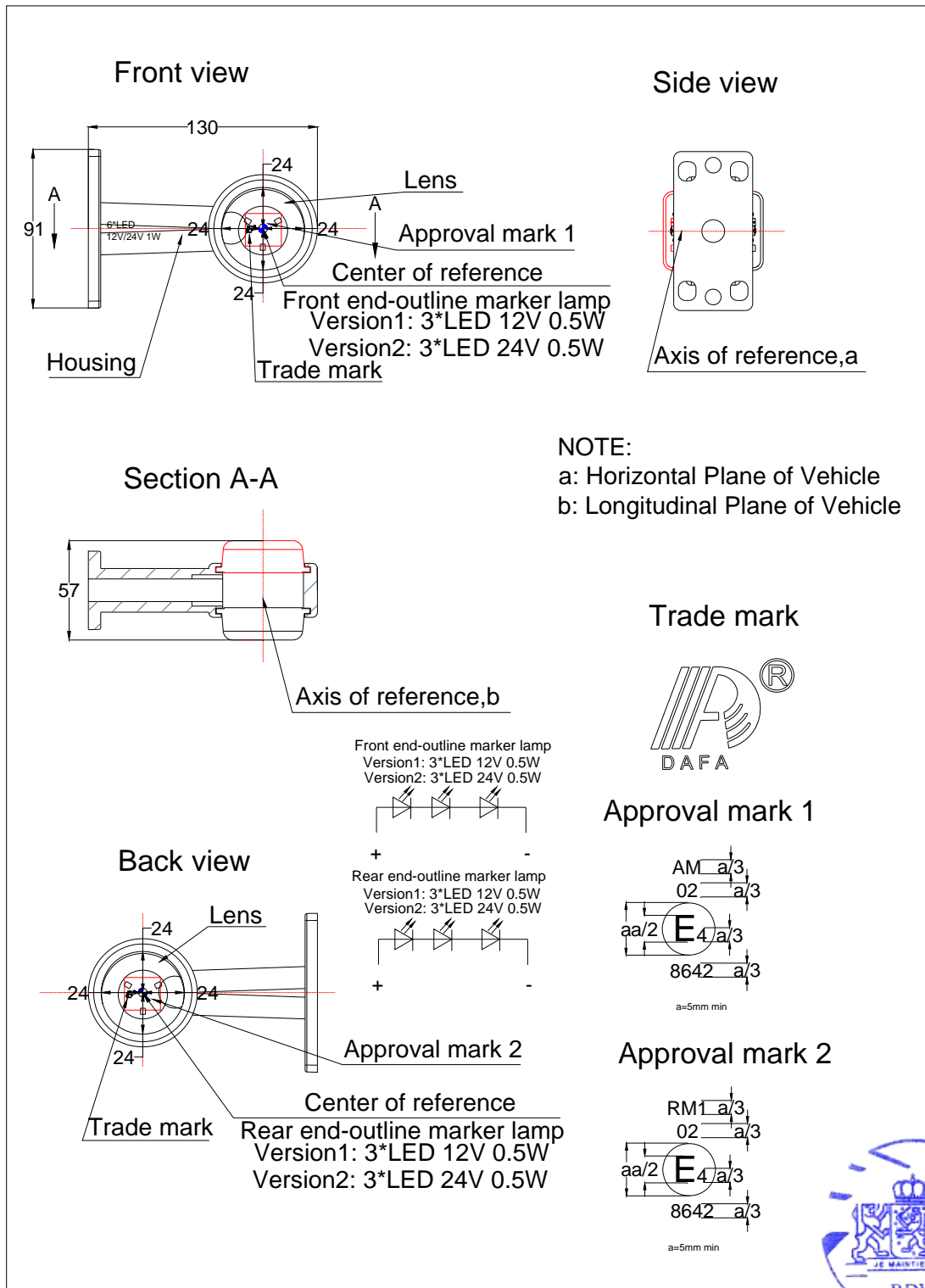




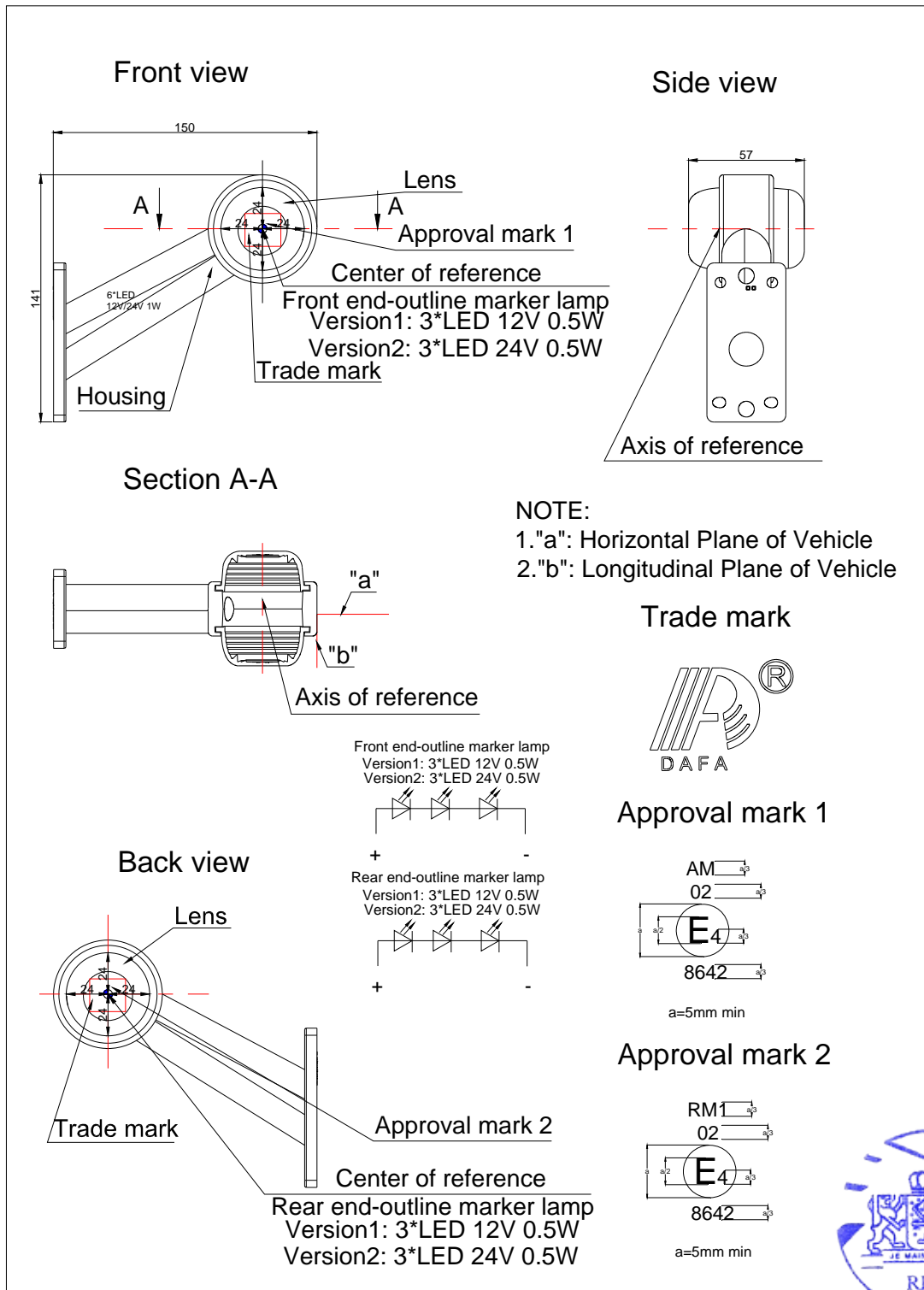
Product Type	DF-TRL021/DF-TRL022
General assembly drawing (Left side)	
Drawing No.	DF-TRL021



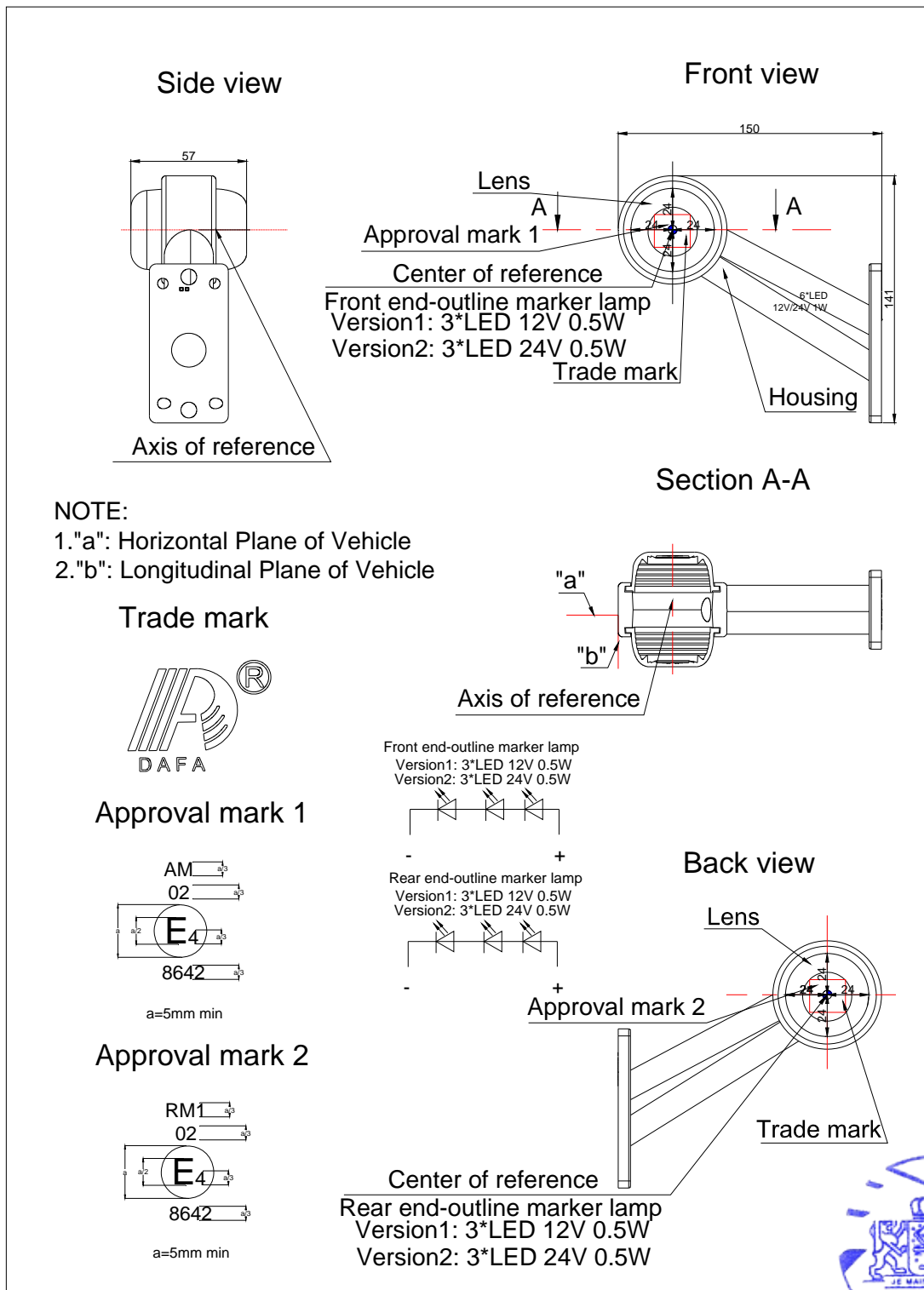
Product Type	DF-TRL021/DF-TRL022
General assembly drawing (Right side)	
Drawing No.	DF-TRL021



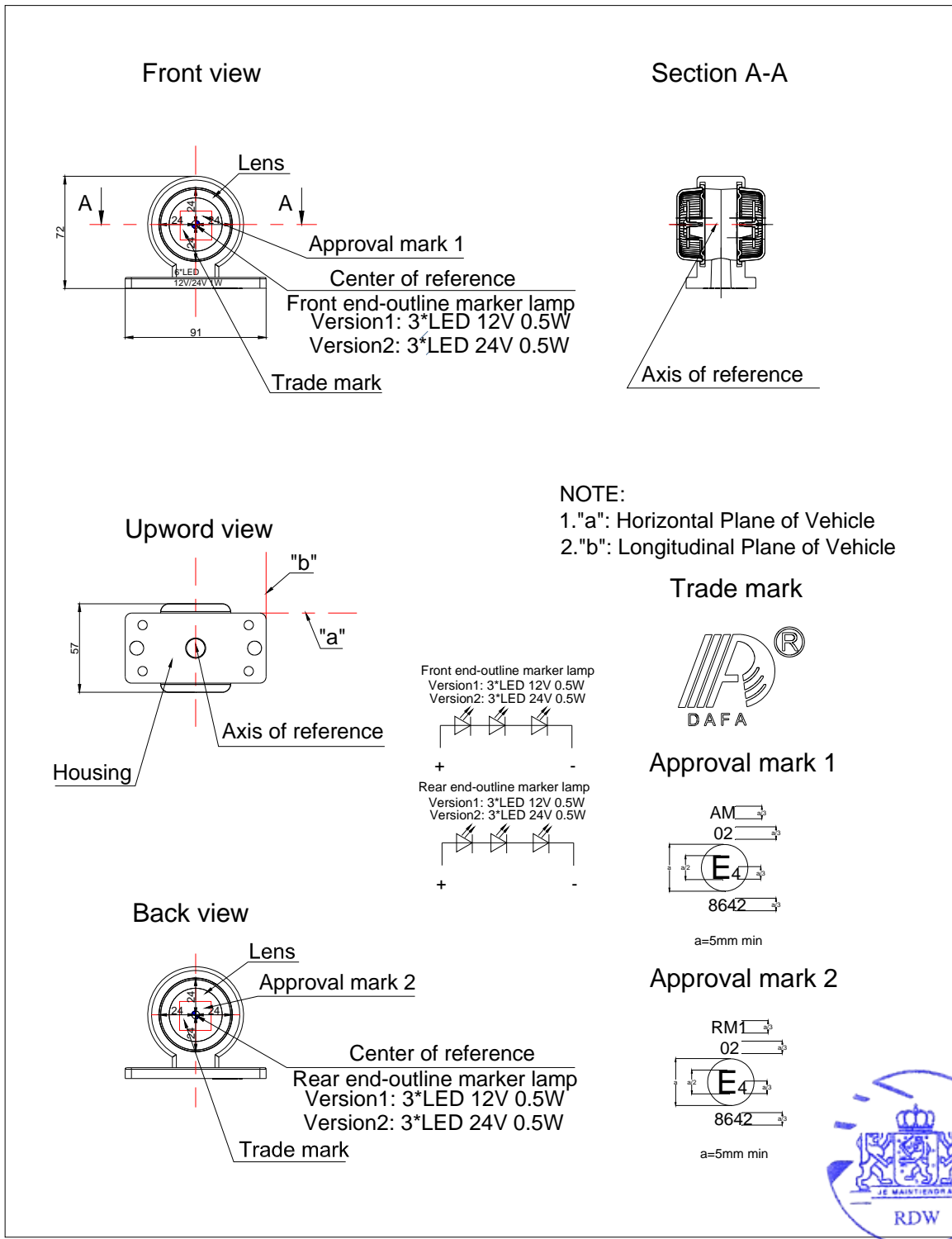
Product Type	DF-TRL021/DF-TRL022
General assembly drawing (Left side)	
Drawing No.	DF-TRL022



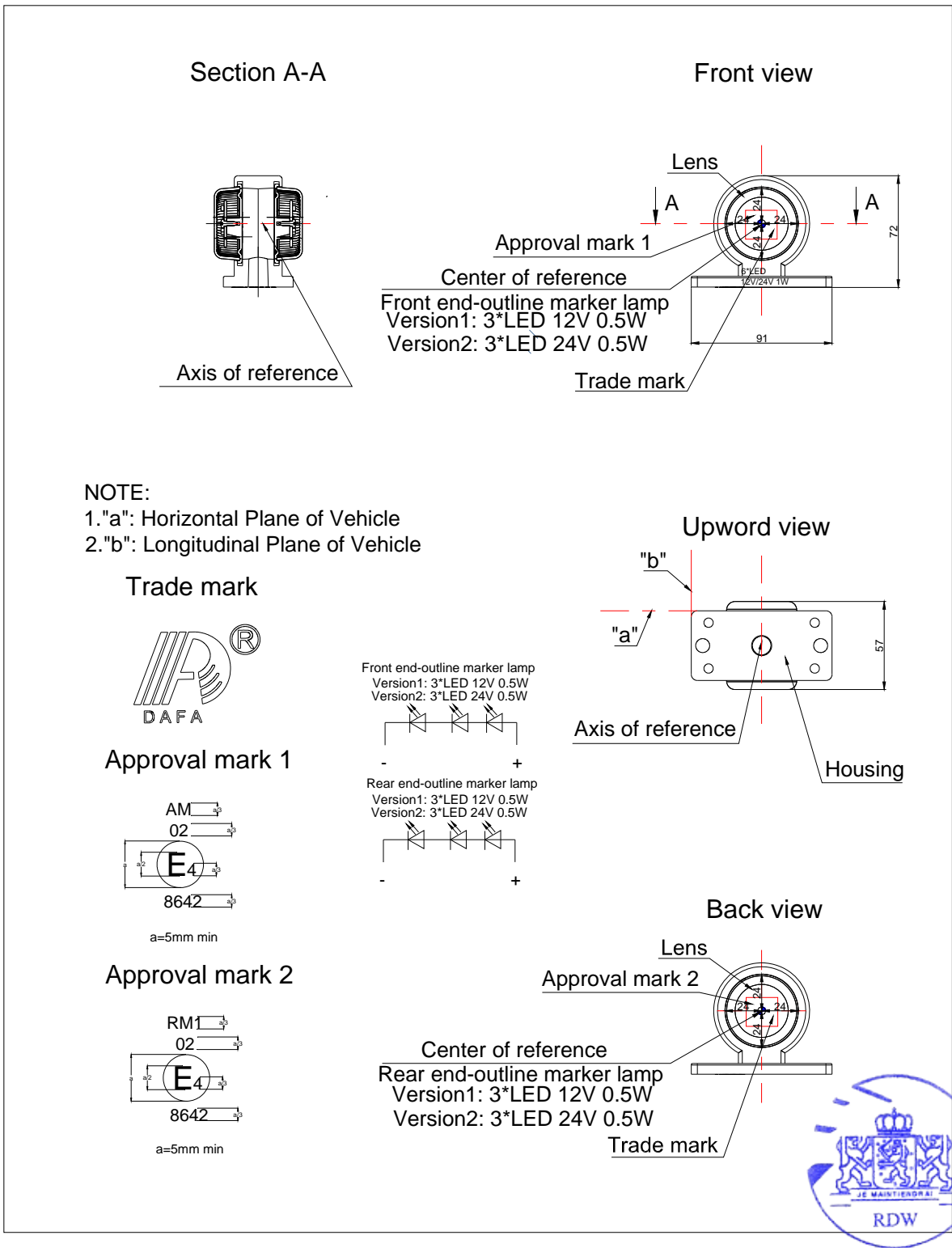
Product Type	DF-TRL021/DF-TRL022
General assembly drawing (Left side)	
Drawing No.	DF-TRL019



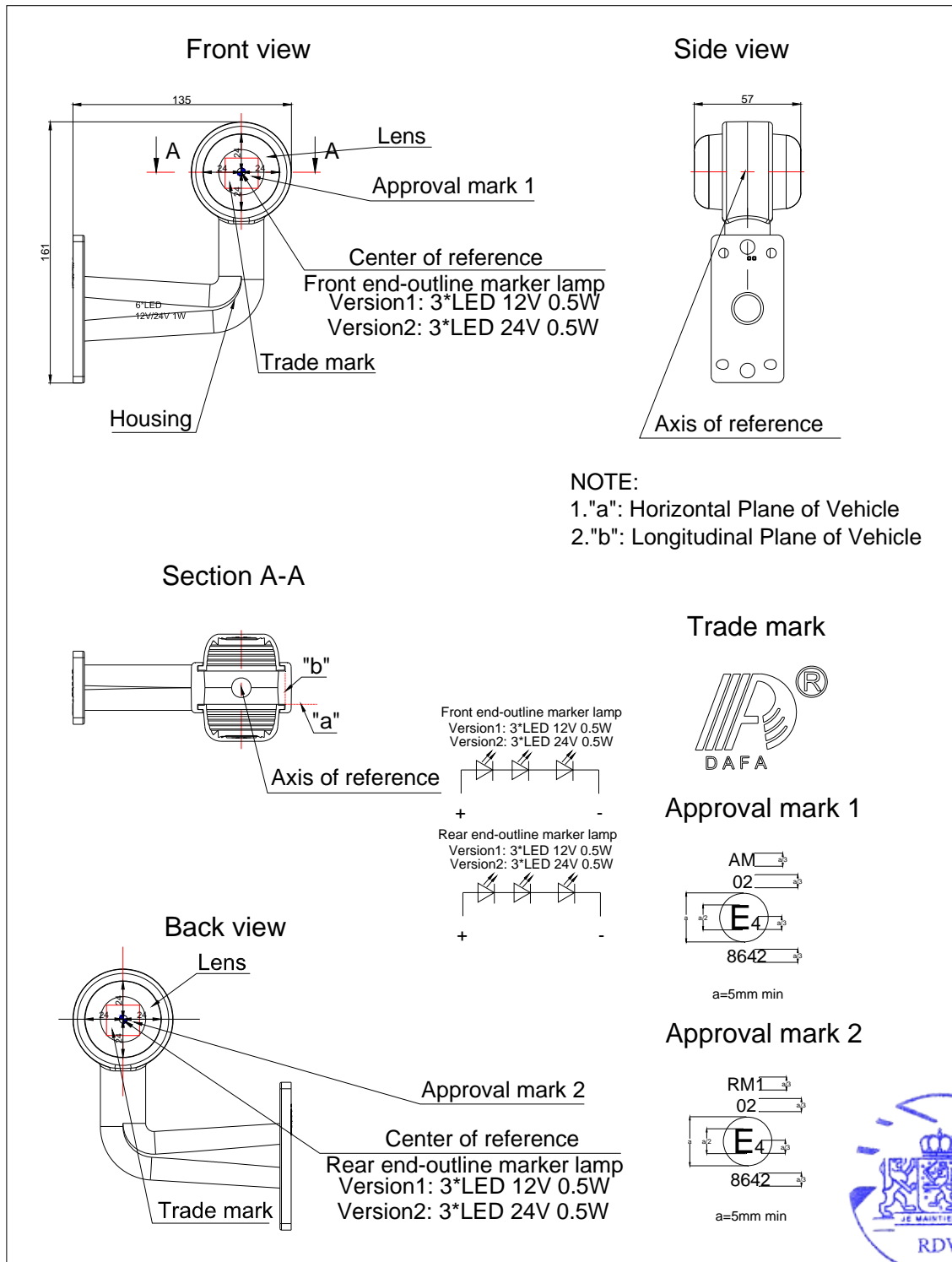
Product Type	DF-TRL021/DF-TRL022
General assembly drawing (Right side)	
Drawing No.	DF-TRL019



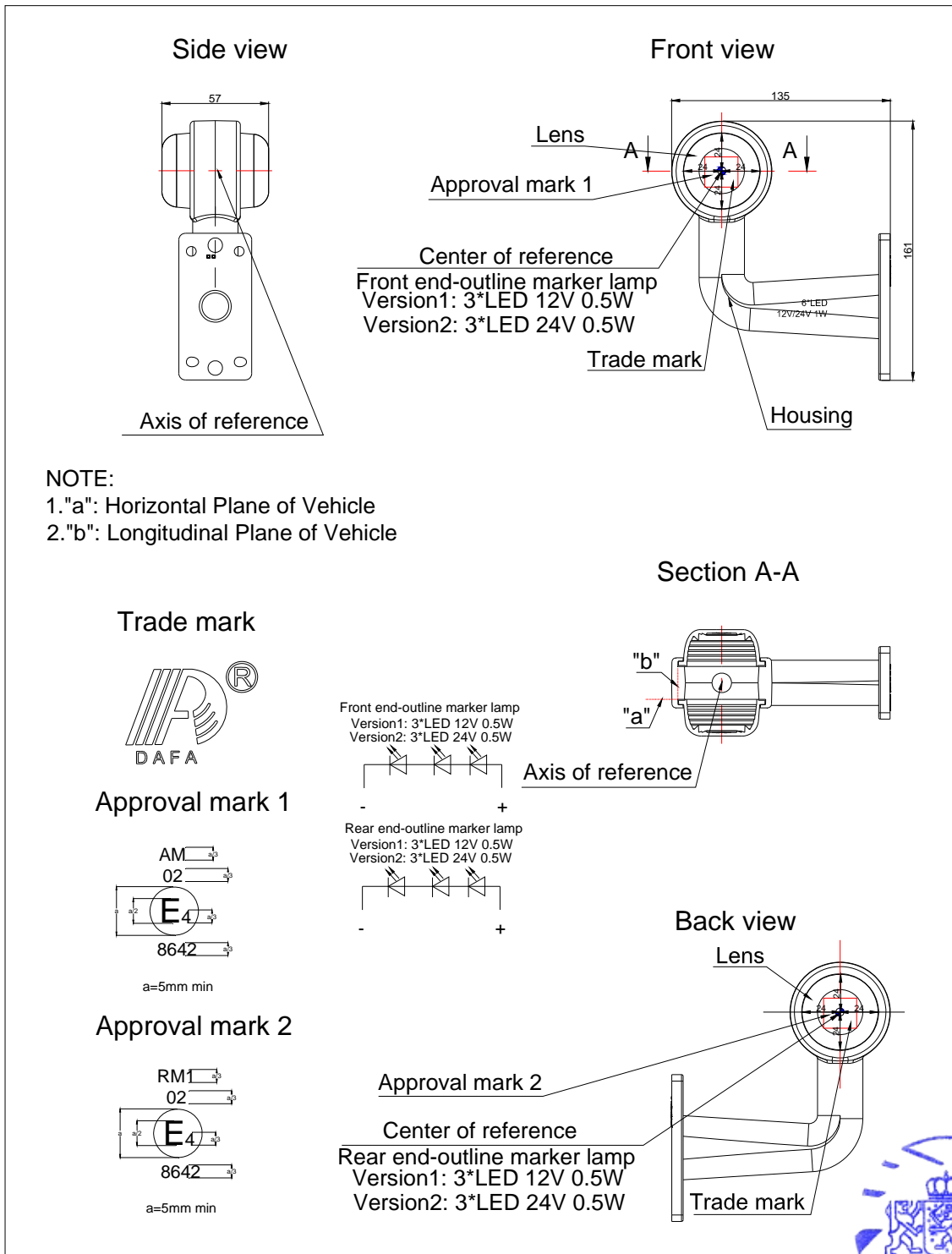
Product Type	DF-TRL021/DF-TRL022
General assembly drawing (Left side)	
Drawing No.	DF-TRL023



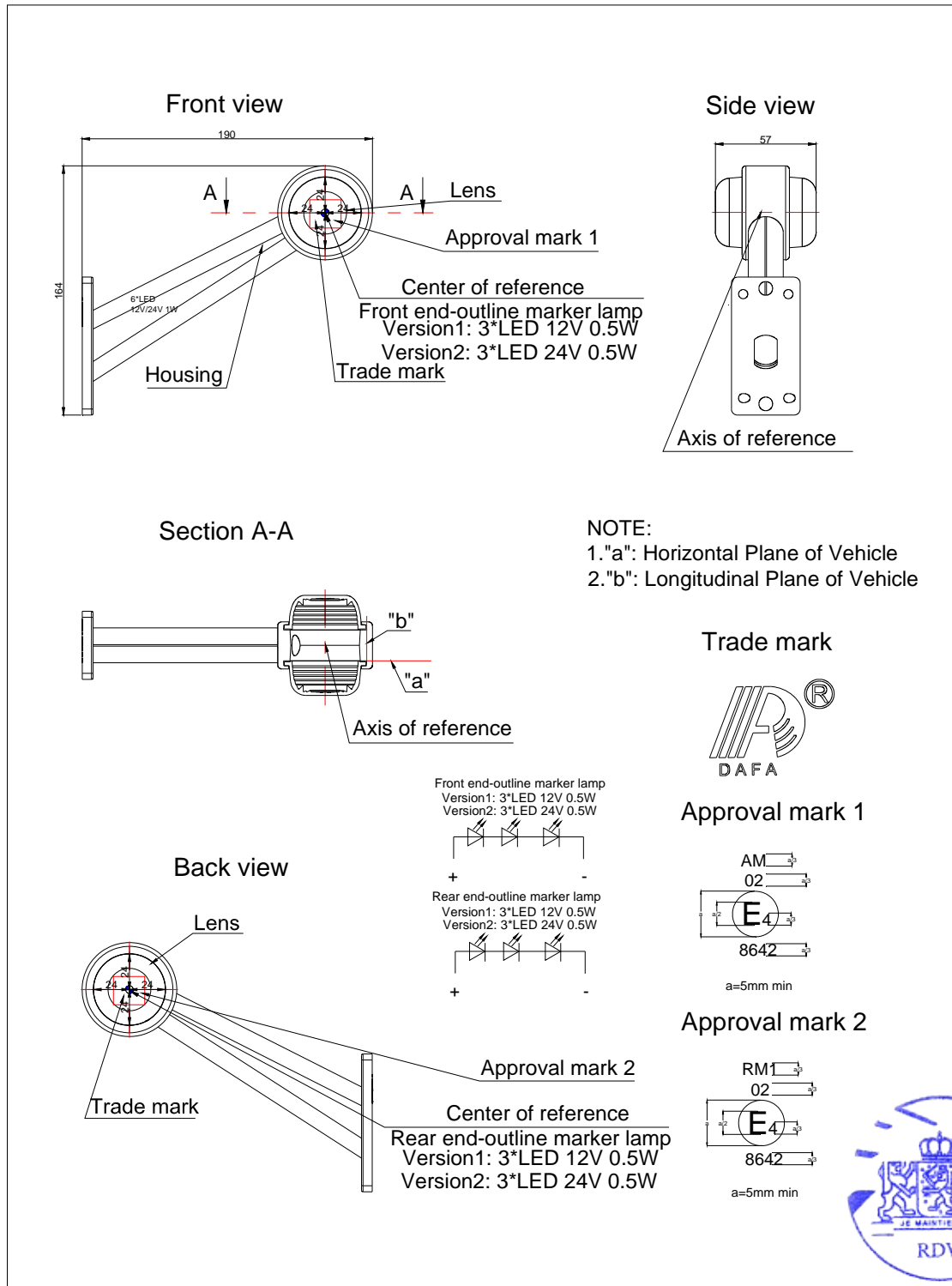
Product Type	DF-TRL021/DF-TRL022
General assembly drawing (Right side)	
Drawing No.	DF-TRL023



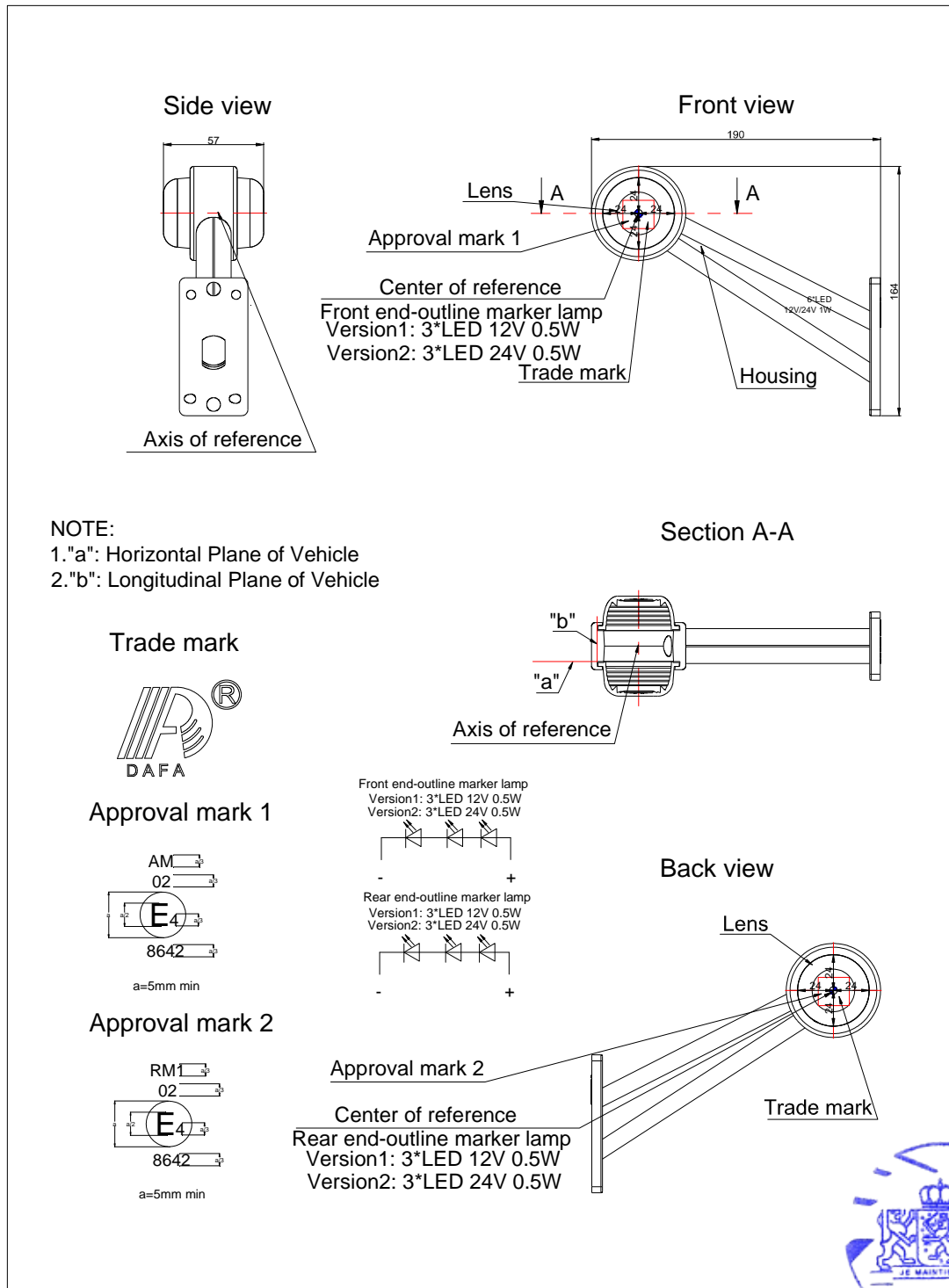
Product Type	DF-TRL021/DF-TRL022
General assembly drawing (Left side)	
Drawing No.	DF-TRL024









Product Type	DF-TRL021/DF-TRL022
General assembly drawing (Right side)	
Drawing No.	DF-TRL024



Product Type	DF-TRL021/DF-TRL022
General assembly drawing (Left side)	
Drawing No.	DF-TRL028



Product Type	DF-TRL021/DF-TRL022
General assembly drawing (Right side)	
Drawing No.	DF-TRL028

Part NO. List		
NO.	Part NO.	Differences description
1	TRL021	
2	TRL022	
3	TRL019	
4	TRL023	
5	TRL024	
6	TRL028	



Information folder No. : DF-TRL021/DF-TRL022-01
 First extended date : April 1, 2017

Approval history

Extension No.	Reason for extension	Application date	
		00 (Base approval)	Not applicable
01	To add part numbers and to add different bracket	First extended date	April 1, 2017
--	--	--	

Application for approval

Subject	:	Group lamp
Manufacturer	:	Zhejiang Dahao Automotive Co., Ltd.
Component type	:	DF-TRL021/DF-TRL022
Applicable EC Directive	:	ECE R7. 02
Existing approval number	:	E4-7R-028642
Reason for extension 01	:	To add part numbers and to add different bracket
Date	:	April 1, 2017

