



Installation instructions, accessories

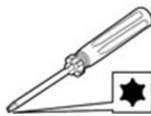
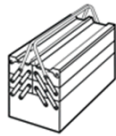
XC60 2014

BOU-588 Installation Instruction



Equipment

VIDA



Touch Pad X 1



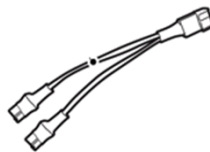
Main Cable X 1



4PIN Touch cable X 1



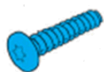
LVDS Cable X 2
Part No. 31328610



ACC Power Cable X 1



Touch & Audio Cable X 1



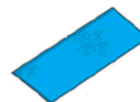
Screw X 4



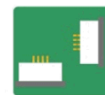
Washer X 4



Tie X 2



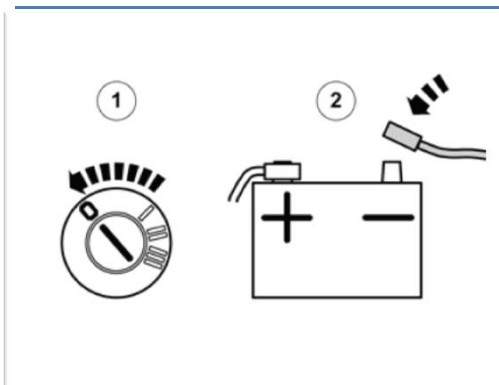
Sticker X 1



Touch Board X 1



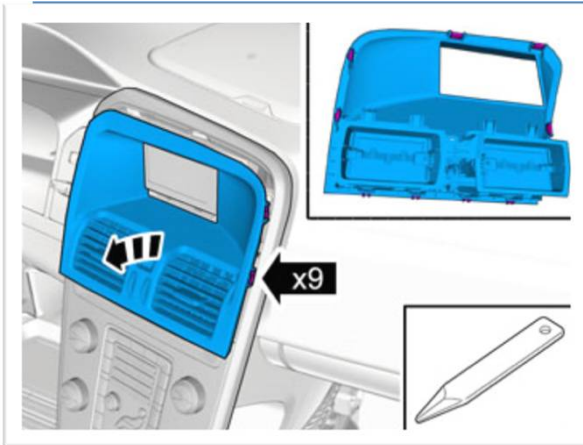
Remove the parts refer to VIDA .



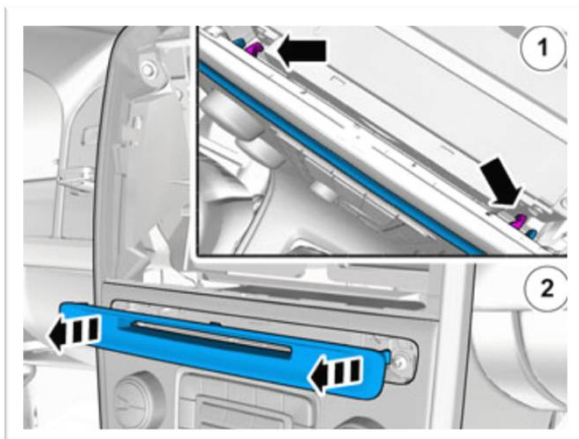
Set the ignition switch to position 0.
Disconnect the battery negative lead.

Note!

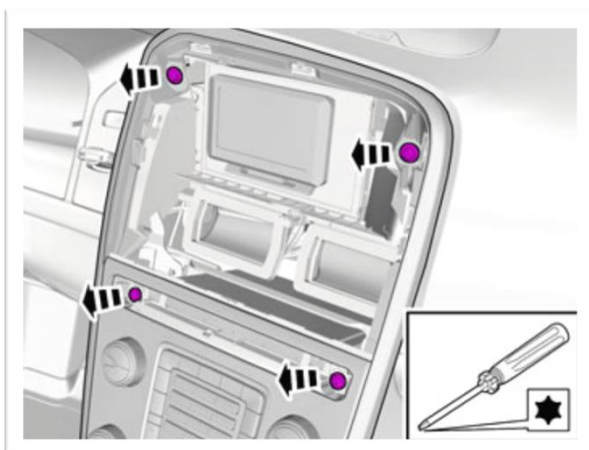
Wait at least three minutes before unplugging the connectors or removing other electrical equipment.



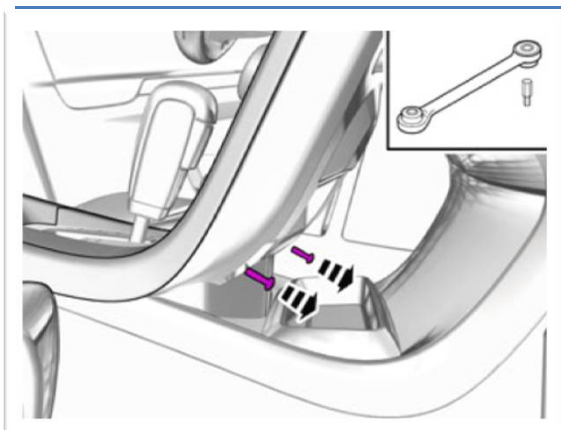
Carefully pry loose the panel with air blower at the lower edge and then all the way around. The panel is secured by clips on the sides and at the top and with catches on the lower edge.



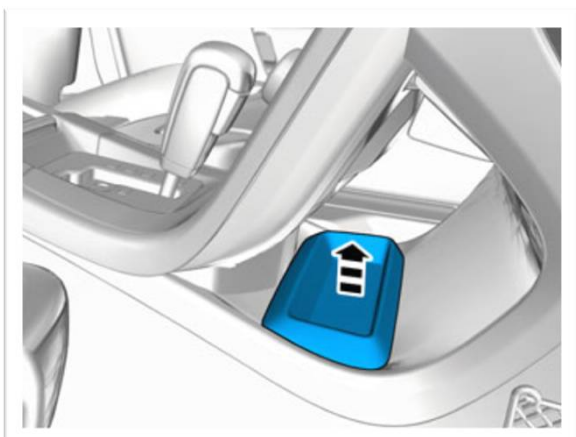
Remove the marked components.



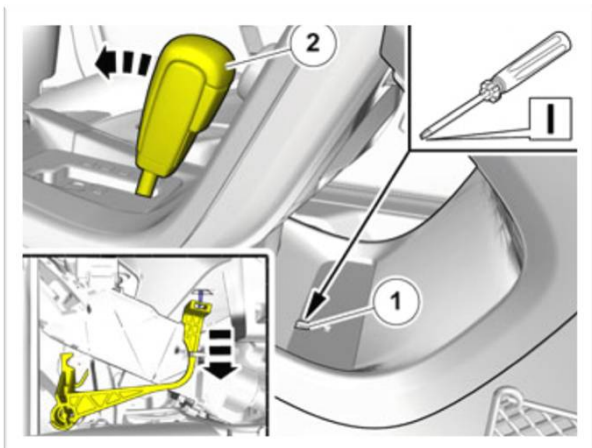
Remove the screws.



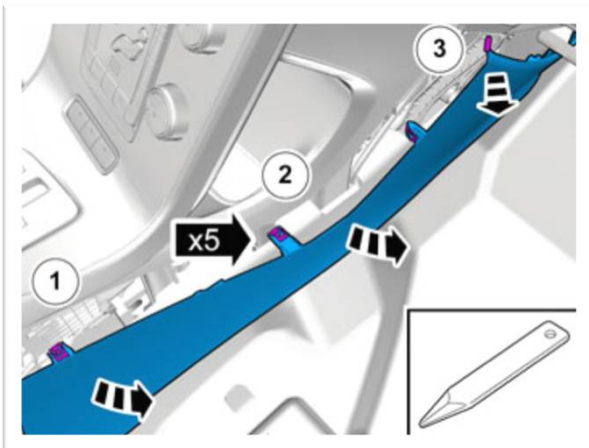
Remove the marked components.



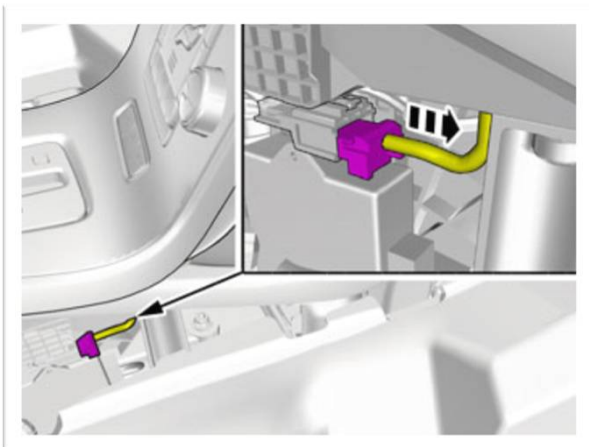
Remove the pad behind the center console.



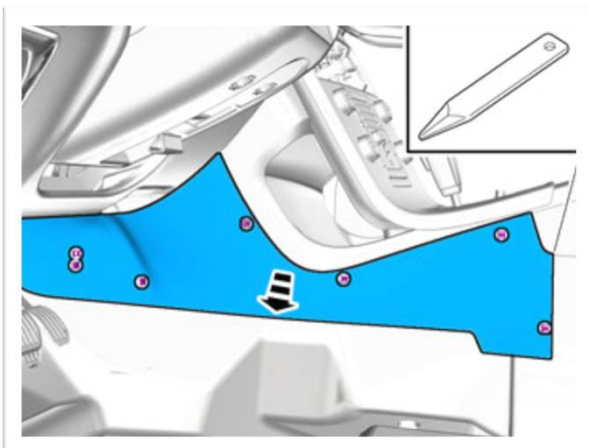
Applies to vehicles with an automatic gearbox
Release the shift-lock function.
Move the gear selector to position "D".



Remove the marked components.



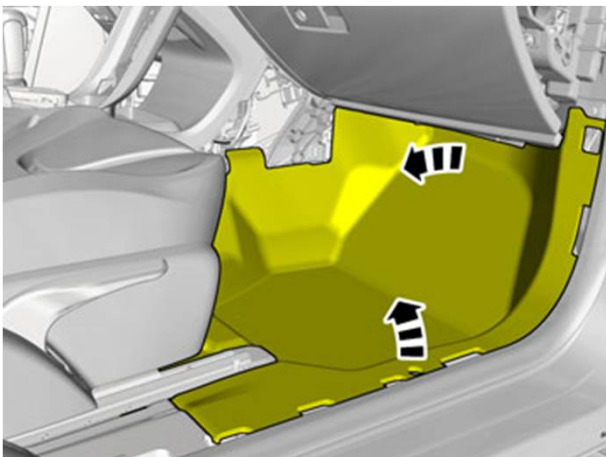
Unplug the connector.



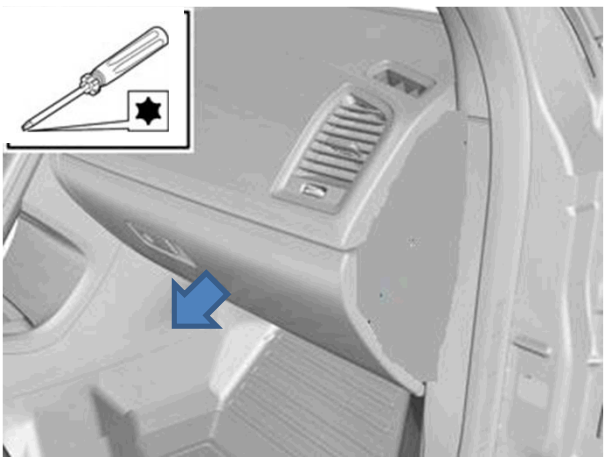
Applies to all vehicles
Remove the panel.



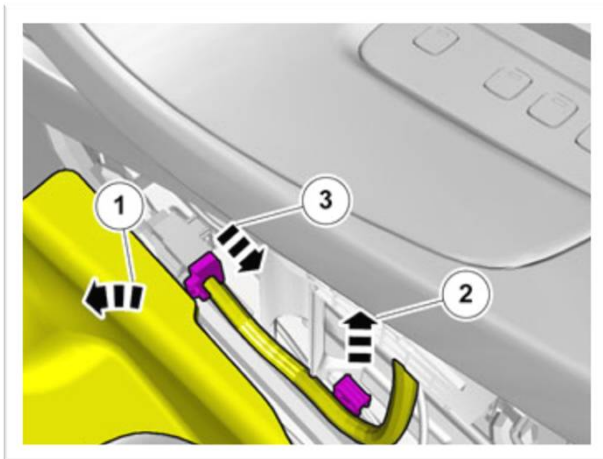
Remove the floor mat.



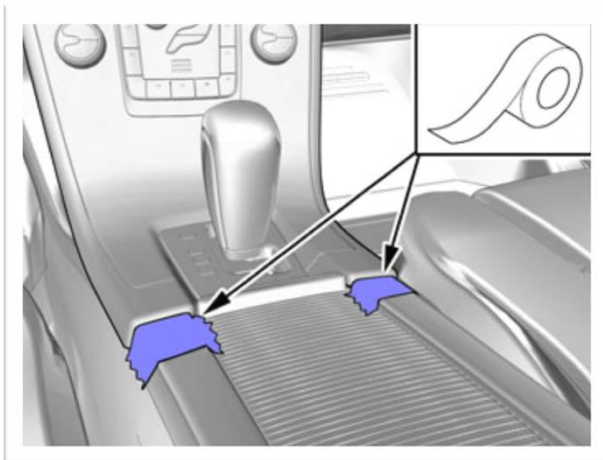
Remove the panel and turn over the carpet.



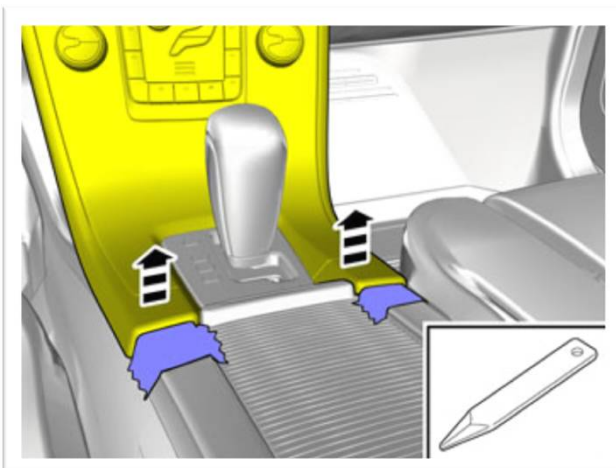
Remove the glove box.



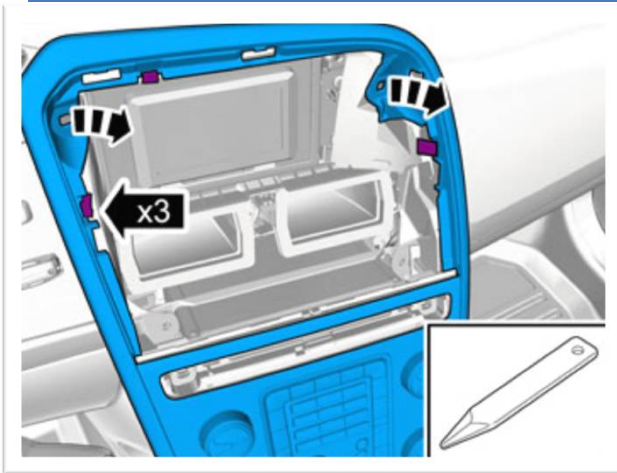
Fold the carpet to one side.
Unhook the clip(s).
Unplug the connector.



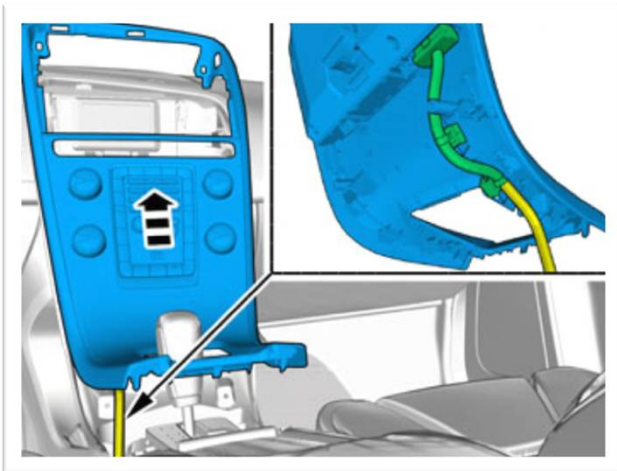
Applies to all vehicles
Use suitable tape to protect the components.



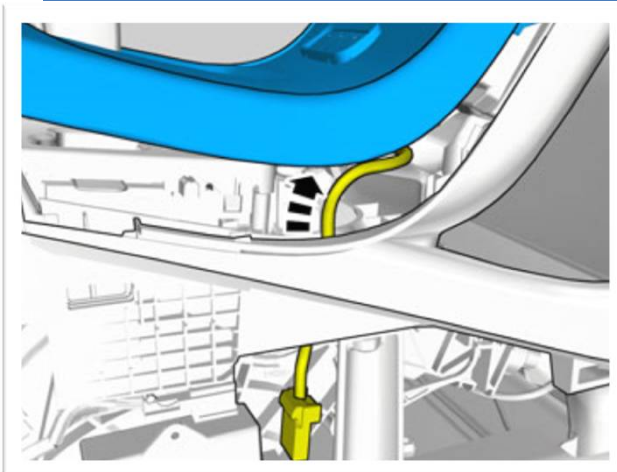
Lift the console out with the tool.



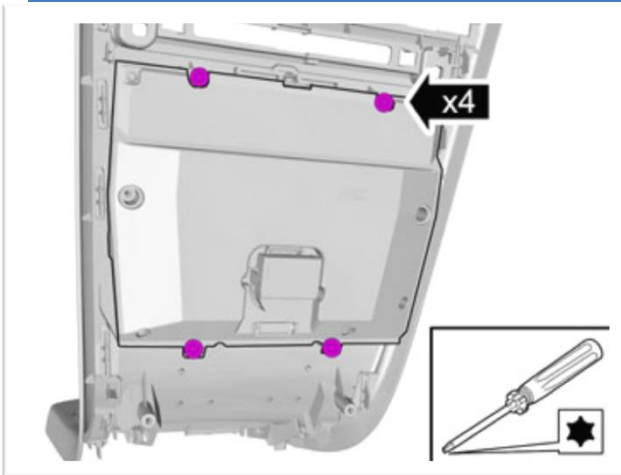
Lift the console out with the tool.



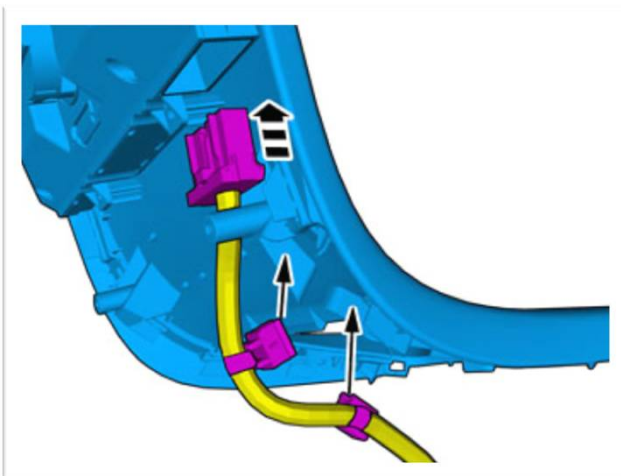
Unplug the connector.



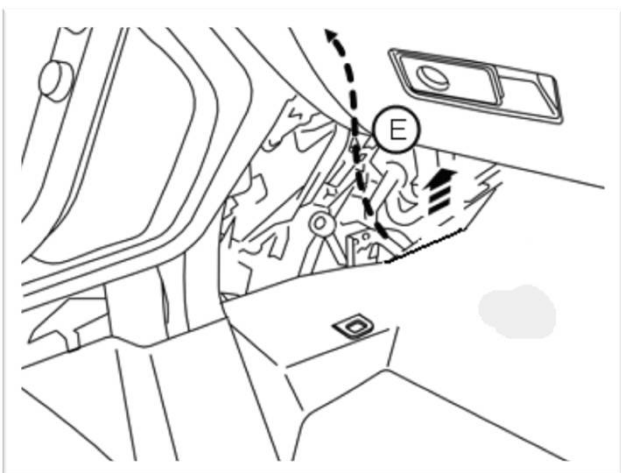
Disconnect the plug and lift out the console.



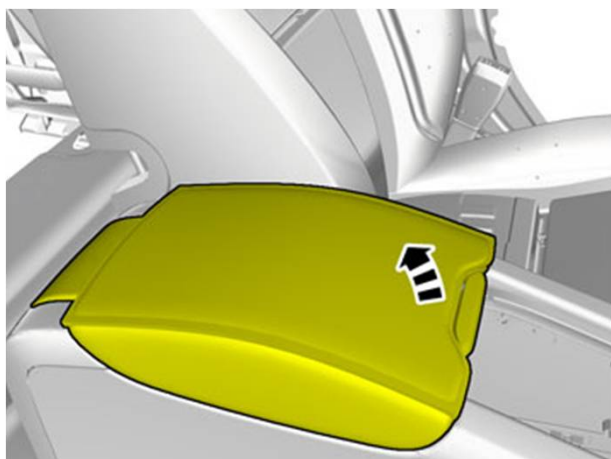
Reinstall the screws.



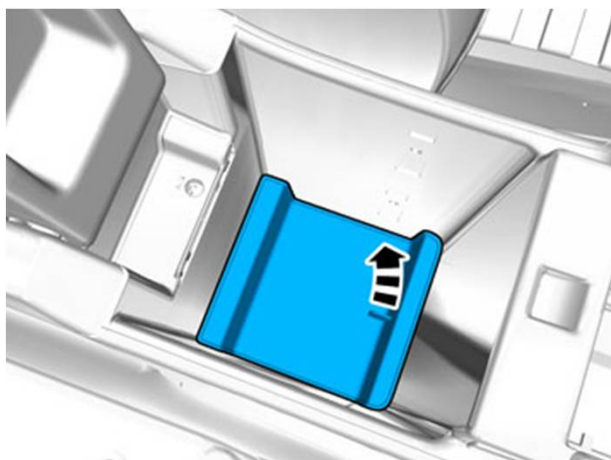
Plug in the CCM connector.



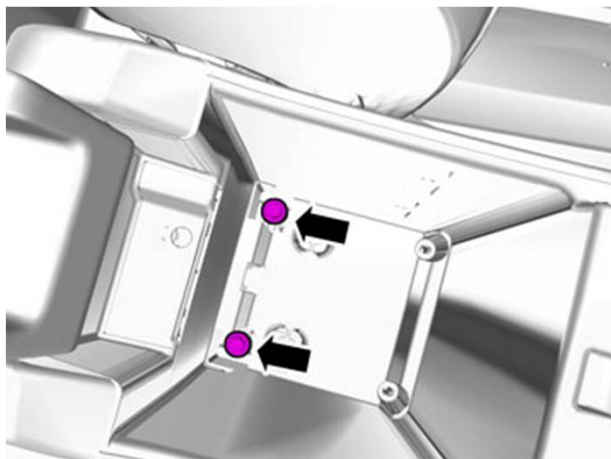
Connect the cables of ICM and BOU-588
treating the BOU-588 cables from bottom to
the top



Open the center armrest.



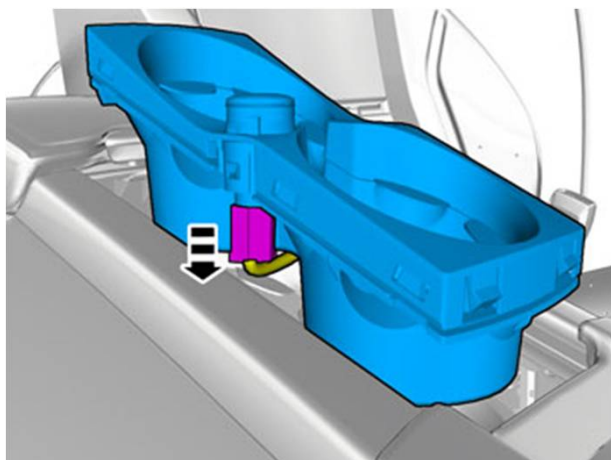
Lift out the pad.



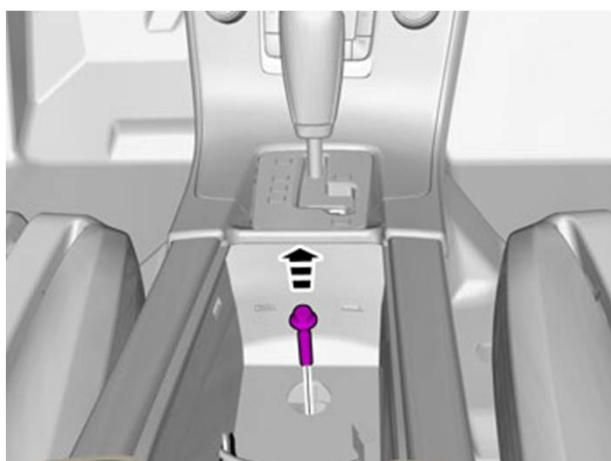
Remove the screws.



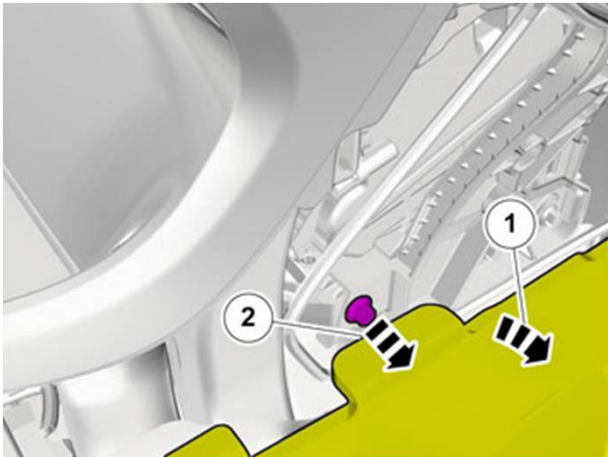
Lift out the shelf.



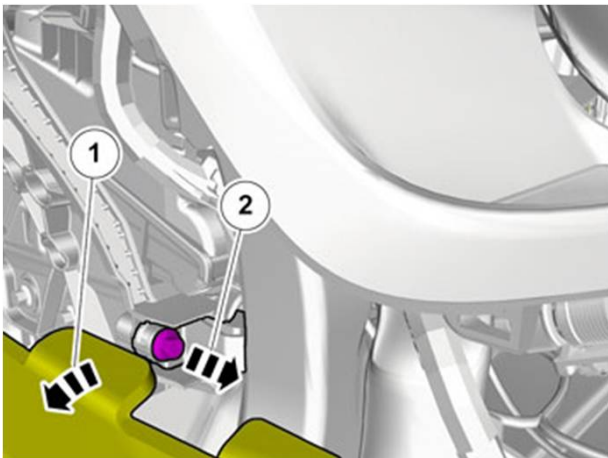
Unplug the lighter's 2PIN connector.



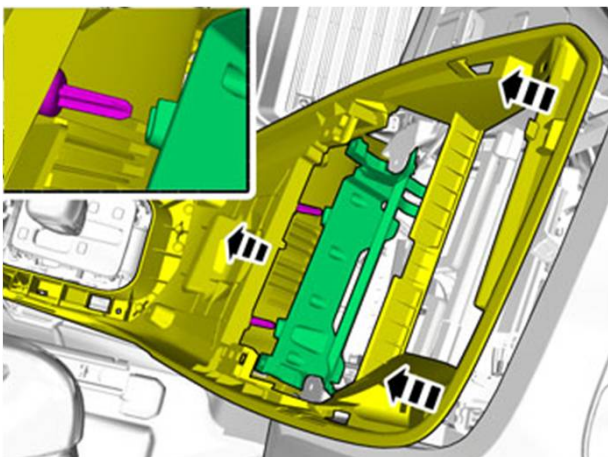
Remove the screws.



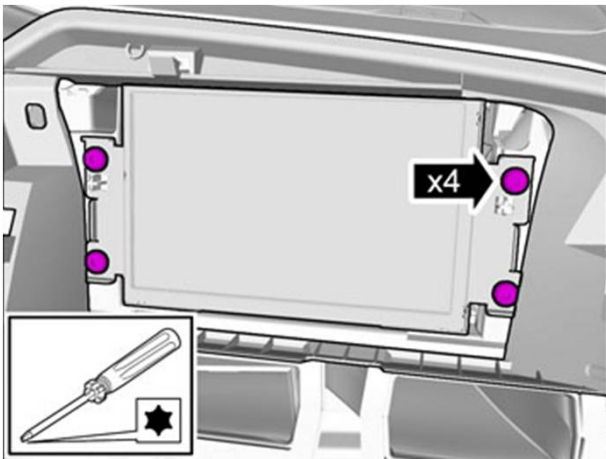
Remove the screws.



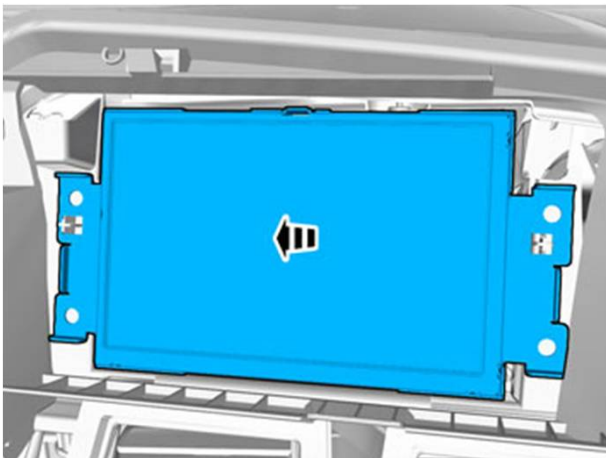
Remove the screws.



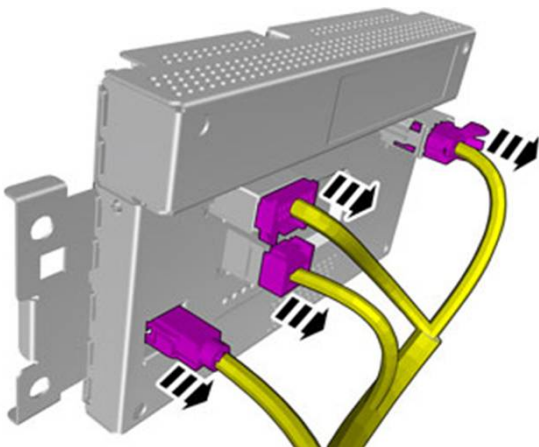
Remove the marked components.



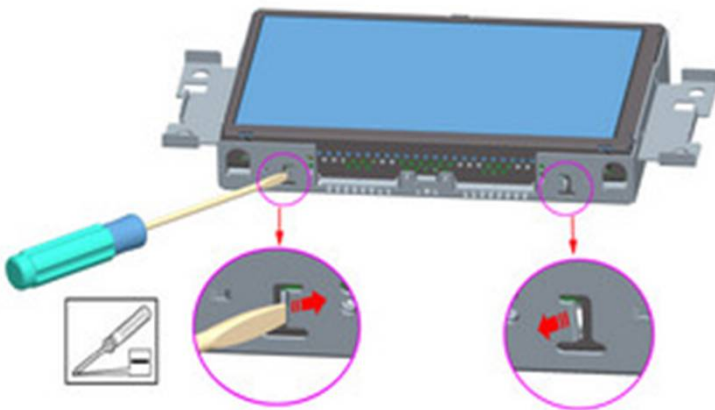
Remove the screws.



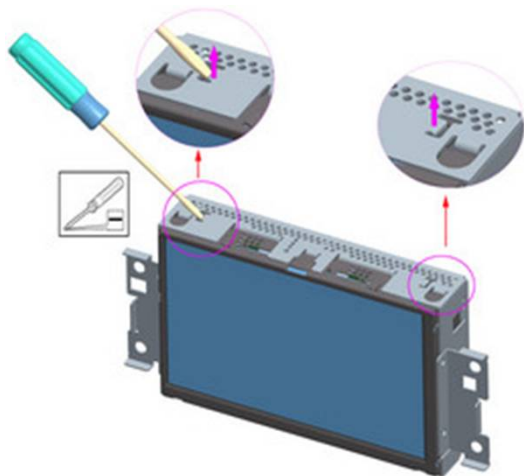
Remove the ICM.



Unplug the ICM connectors.



Loosen the ICM with a flathead screwdriver.

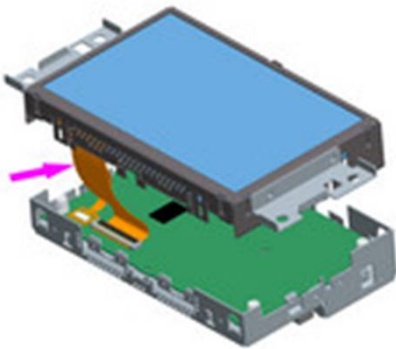


Loosen the ICM with a flathead screwdriver.

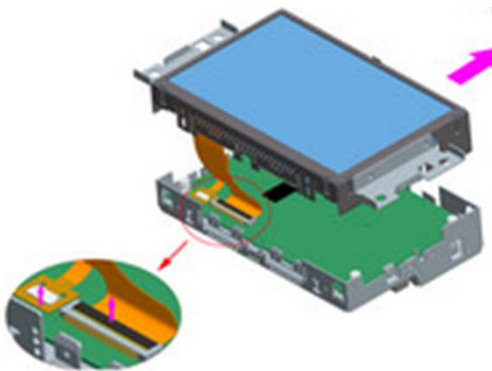


Separate the ICM front and rear fixation frames.

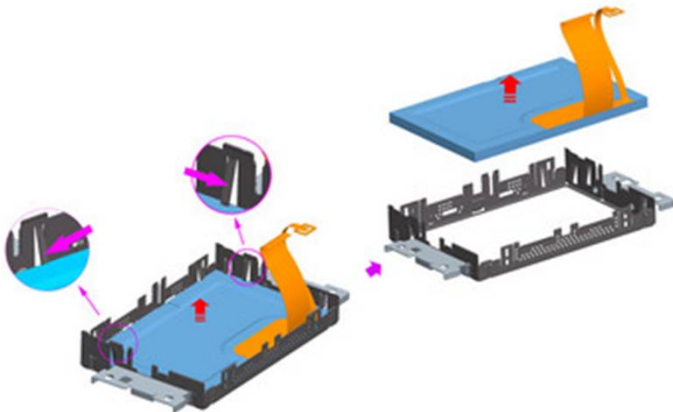
Be careful of the flat cable when separating the frames!!



Be careful of the flat cable when separating the fixation frames.



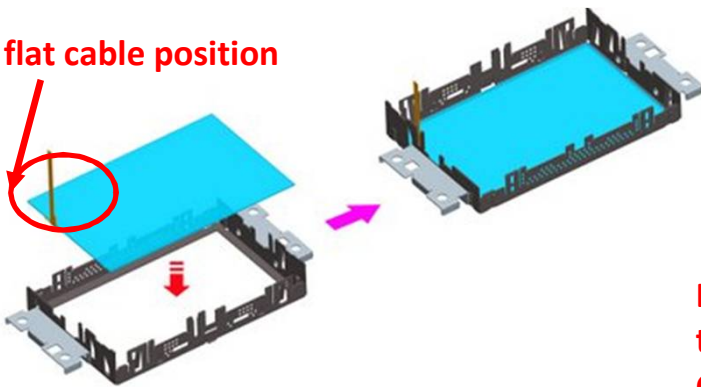
Unplug the fixation bracket to draw out the flat cable.



Take out the ICM panel from front fixation frame.

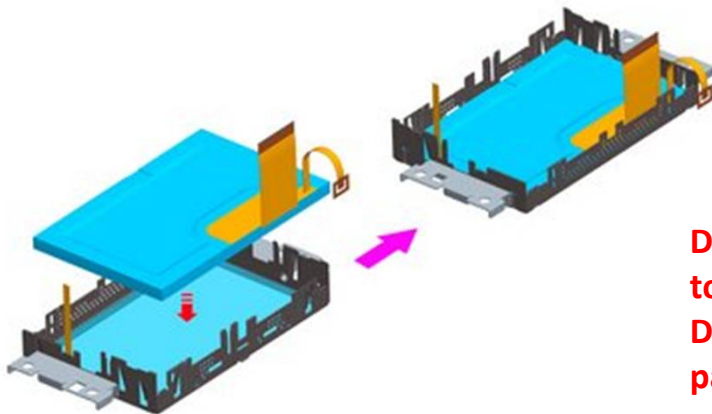


flat cable position



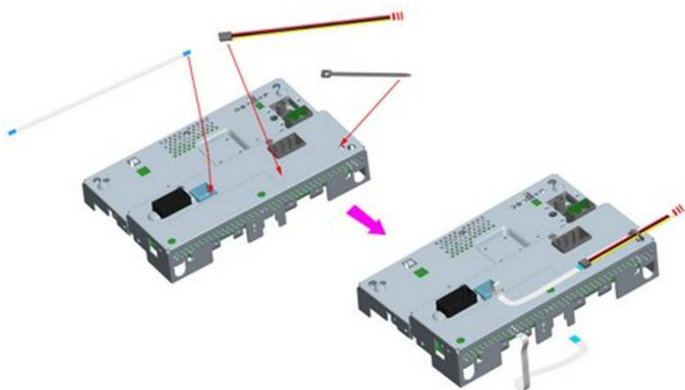
Tear out the touchpad of both side protective film and place it into the front frame. The flat cable place direction must be the same as left figure showing. Be sure no stain on touchpad before installation.

Do not touch the contact surface of flat cable to avoid oxidized.
Glasses material, handle with care!



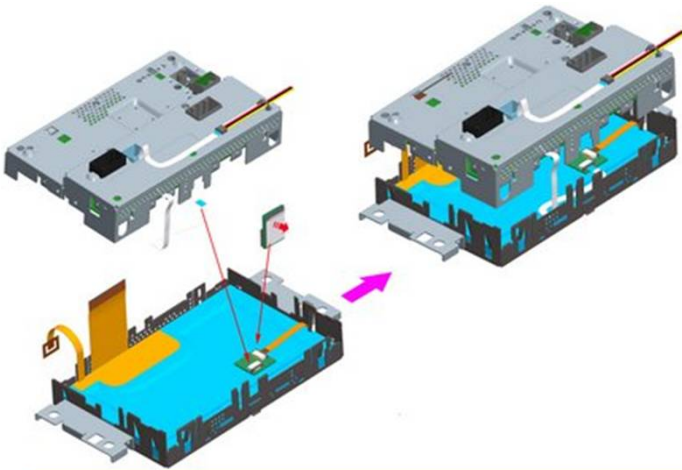
Place the ICM panel into new fixation frame. Be sure no stain on panel before installation.

Do not touch the contact surface of flat cable to avoid oxidized.
Do not scratch or fold the flat cable to avoid panel damage.



Connect the 4pin flat cable and touch control board via LVDS connector gap.

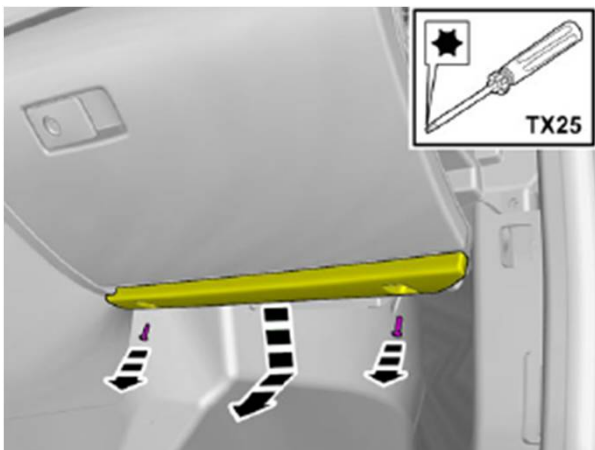
Do not scratch or fold the flat cable.



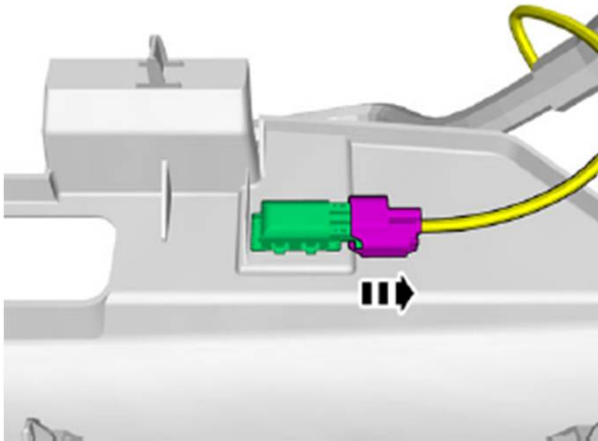
Stick the touch control board to the back side of ICM panel and connect with the touch pad 4pin flat cable and the other side. Reconnect the ICM flat cables and reassemble the front and rear fixation frames.



Belted the touch cable with ties on the ICM rear fixation frame.



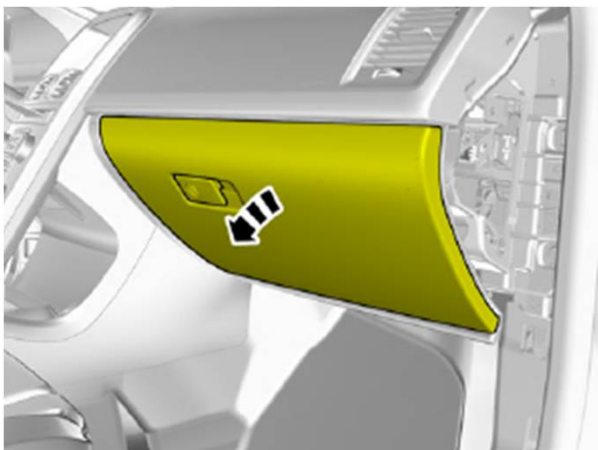
Remove the marked components.



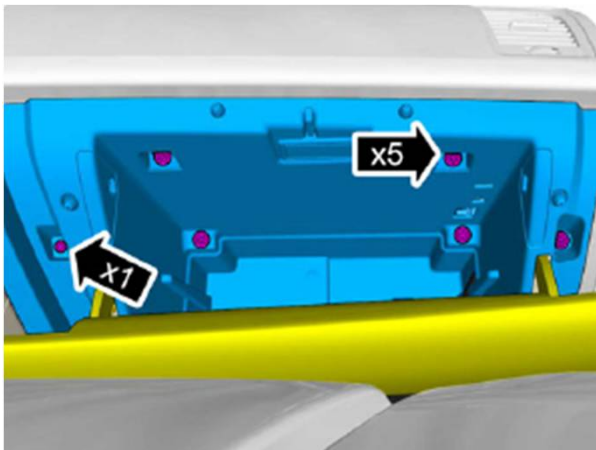
Unplug the connector.



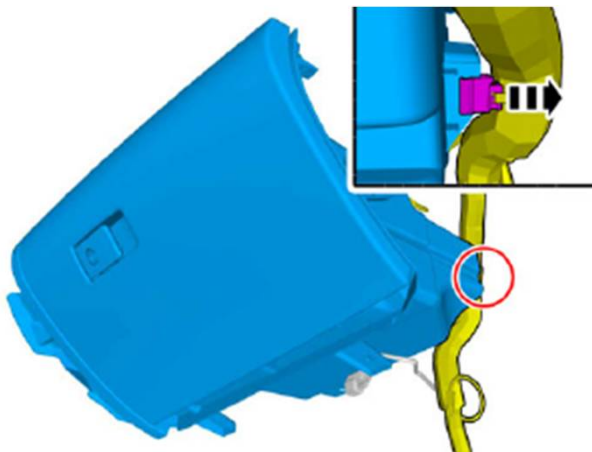
Remove the screws.



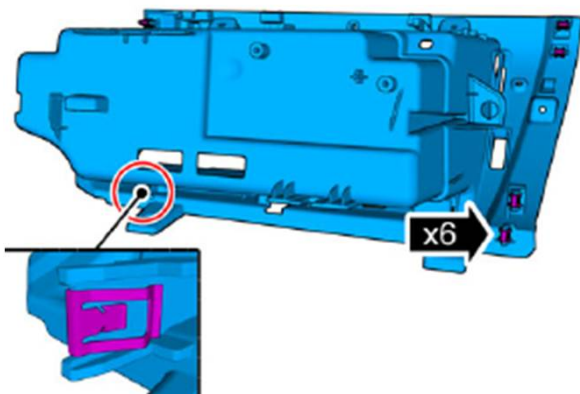
Open the glove box.



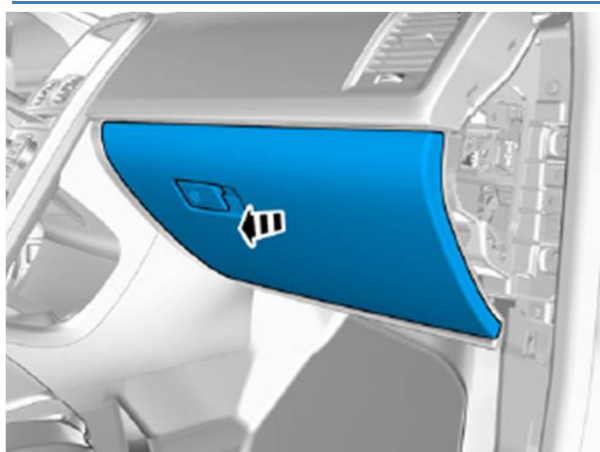
Remove the screws.



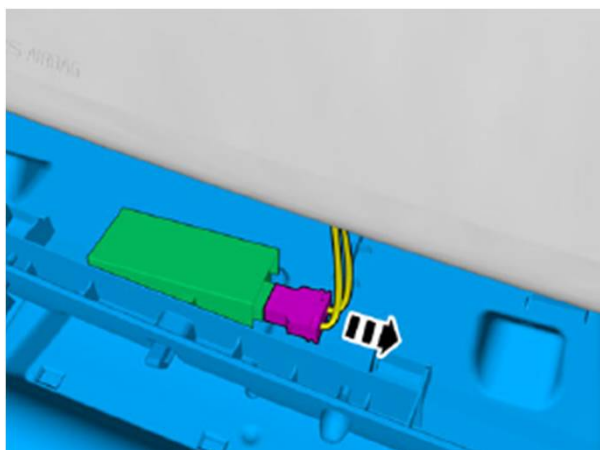
Unplug the connector.



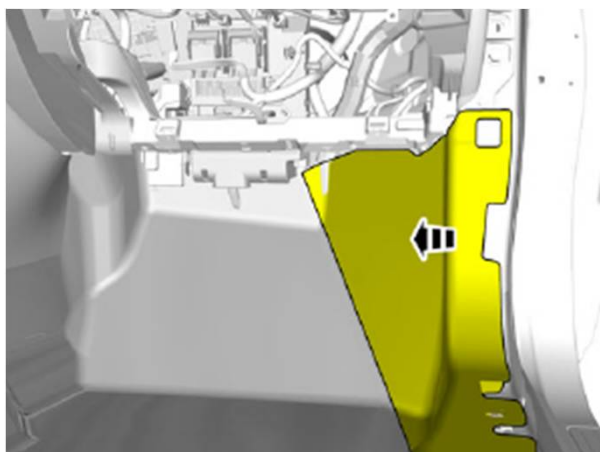
The rear view of glove box, and please note that the latch portion.



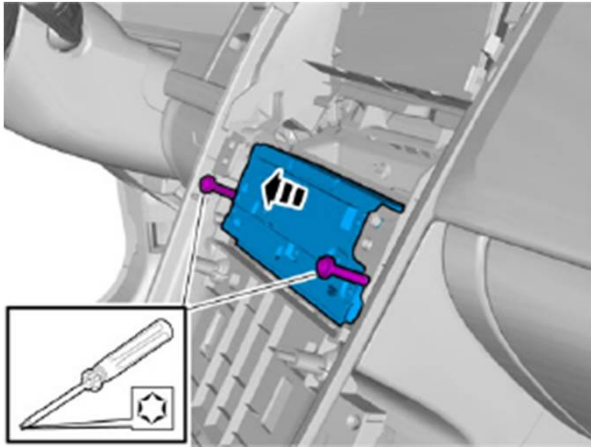
Remove the glove box.



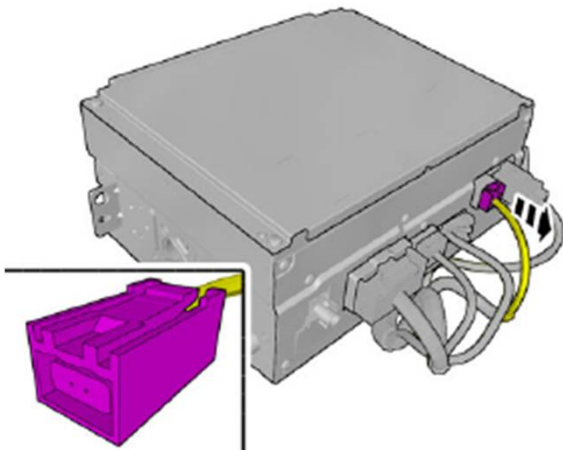
Unplug the connector.



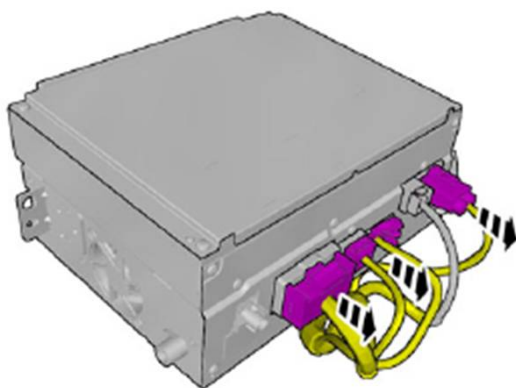
Fold the carpet to the side.



Remove the fix screws of IAM.



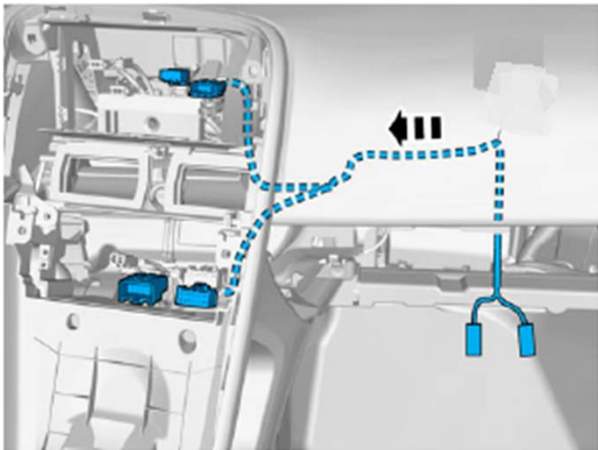
Disconnect the connector.



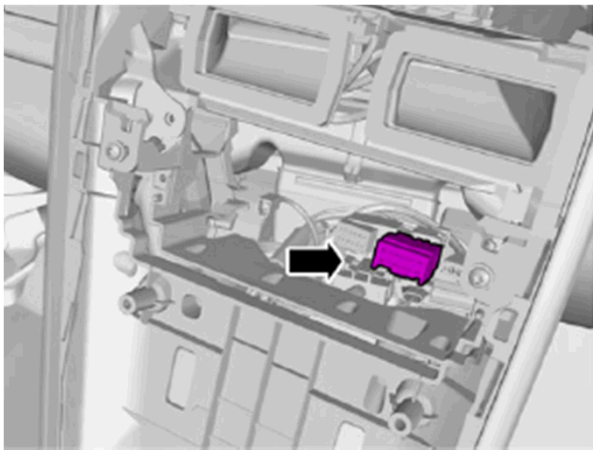
Note!

The number of connectors may vary depending on the vehicle's equipment level.

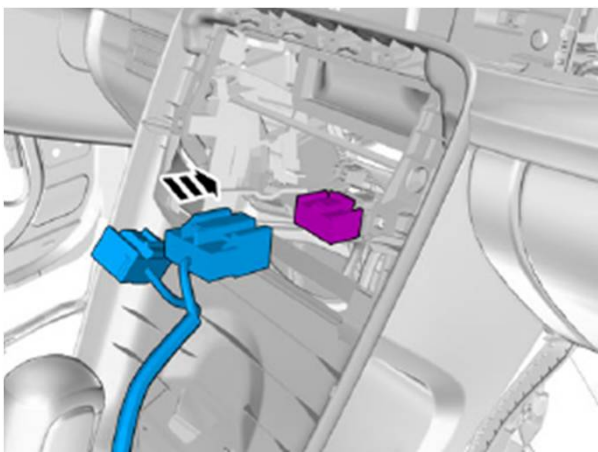
Disconnect the connectors.



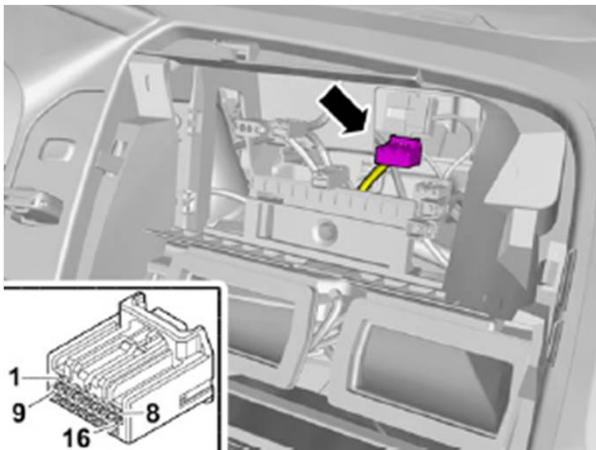
Place the main cable to the ICM location.
Place the audio cable to the IAM location.



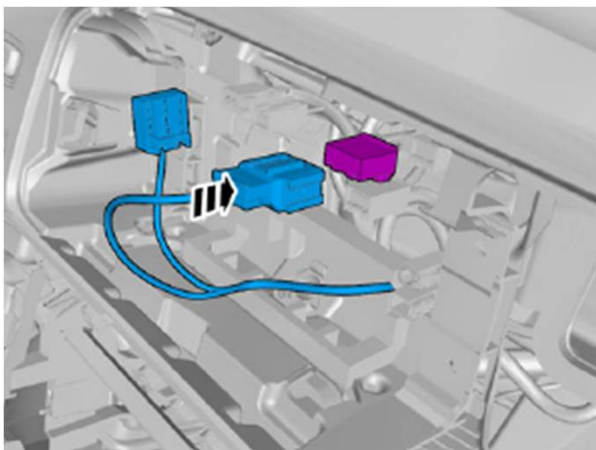
Locate the IAM connector.



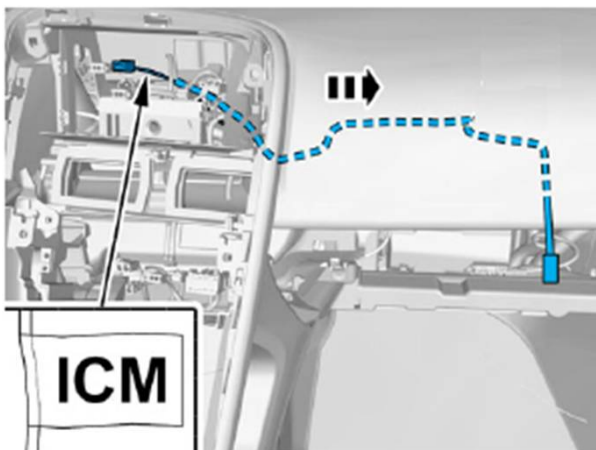
Connect the IAM power cable and audio
cable connectors.



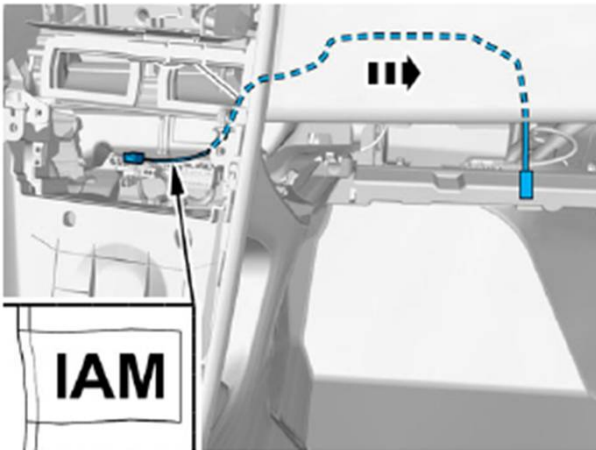
Locate the ICM power connector.



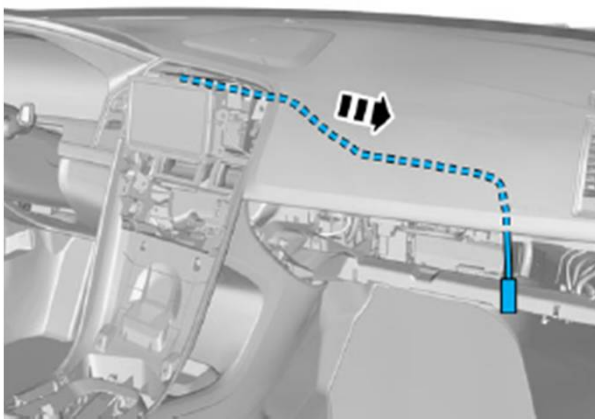
Connect the ICM power cable and main cable connectors.



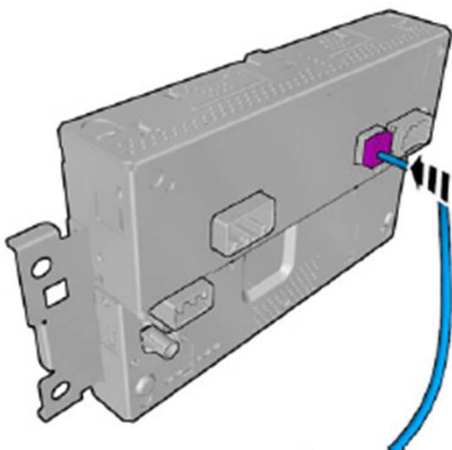
Place the LVDS cable harness as illustration.



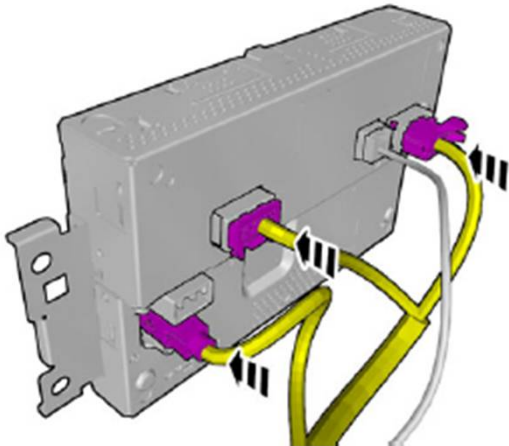
Place the LVDS cable harness as illustration.



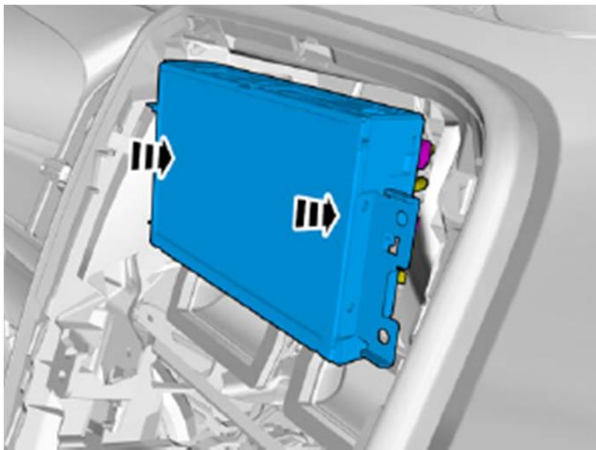
Place the touch cable harness as illustration.



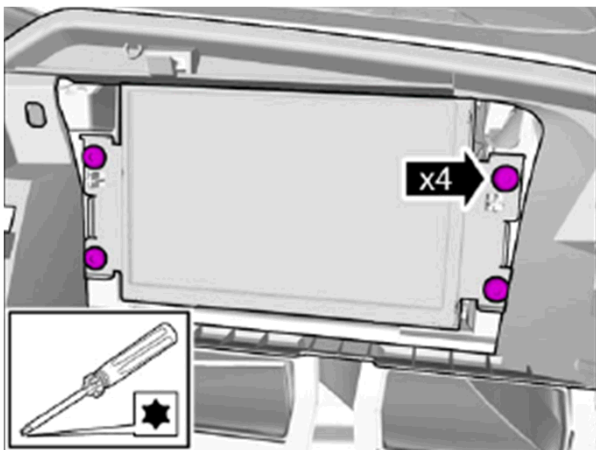
Connect the prerouted cable.



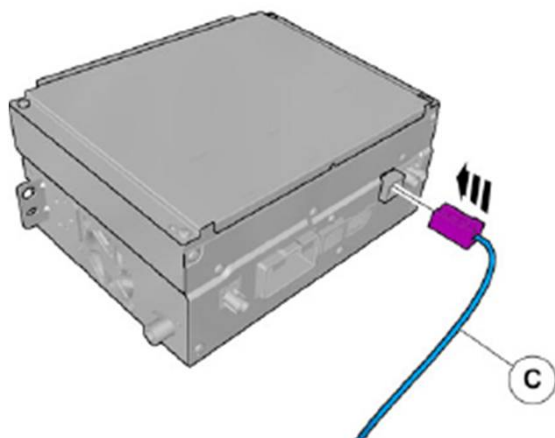
Connect the prerouted cable.
Connect the ICM connectors.



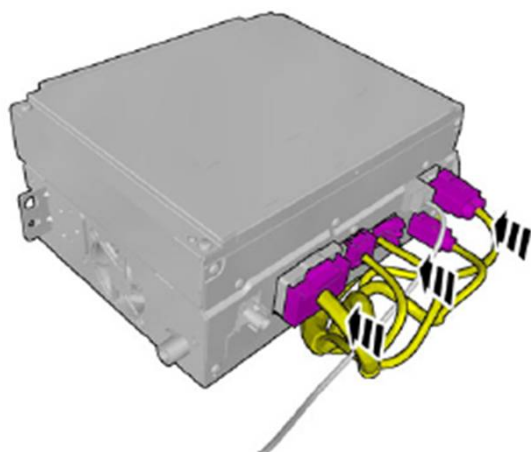
Reinstall the ICM.



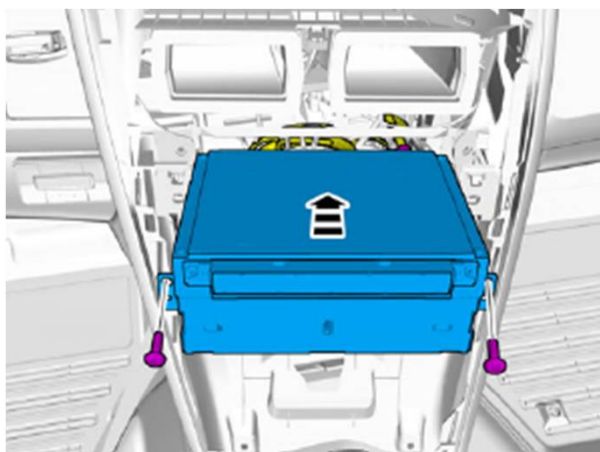
Reinstall the ICM screws.



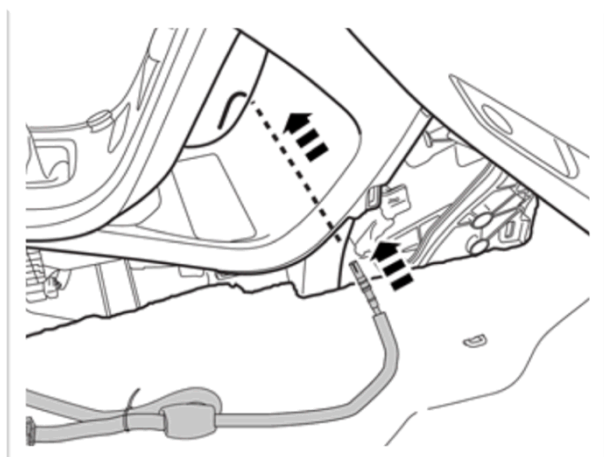
Connect the LVDS cable to IAM.



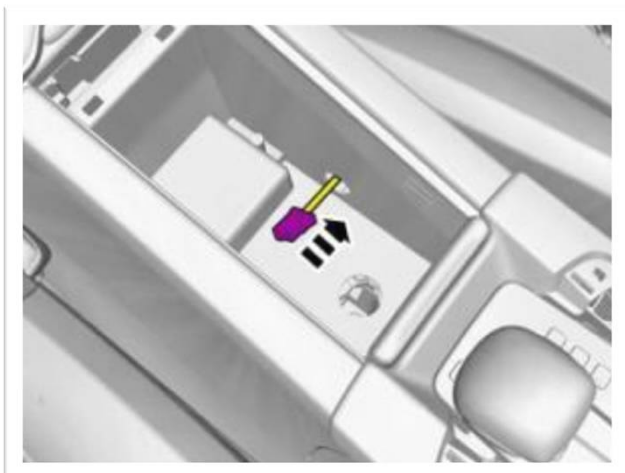
Connect the prerouted cable.
Connect the IAM connectors.



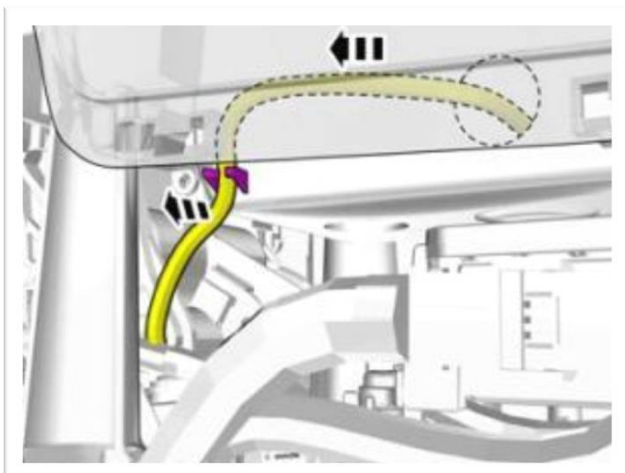
Reinstall the screws for IAM.



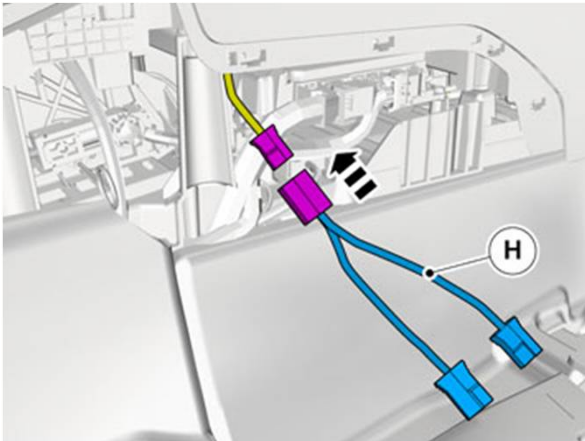
Pass the ACC(+15) cable following the figure showing.



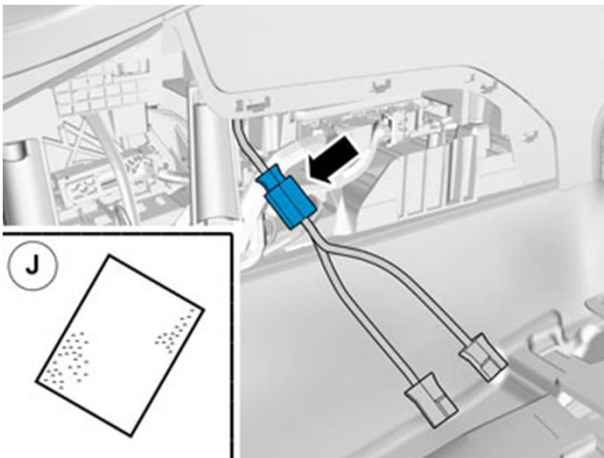
Remove the lighter 2PIN connector as figure showing.



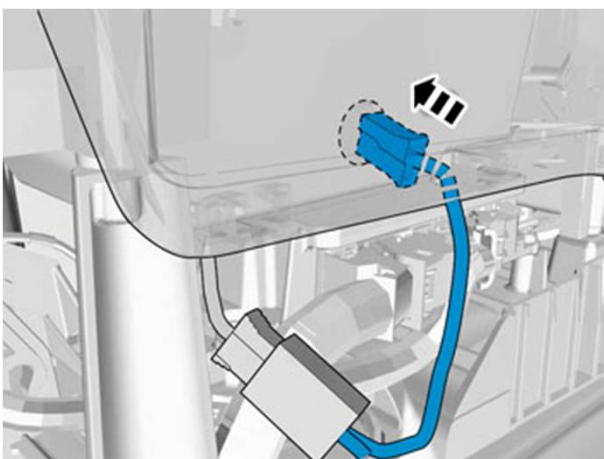
Remove the lighter 2PIN connector as figure showing.



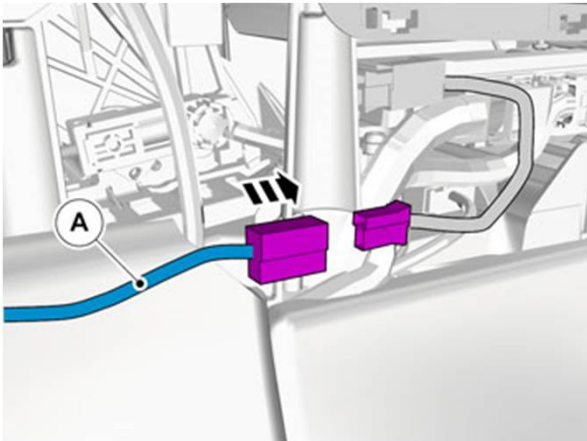
Plug in the ACC power cable.



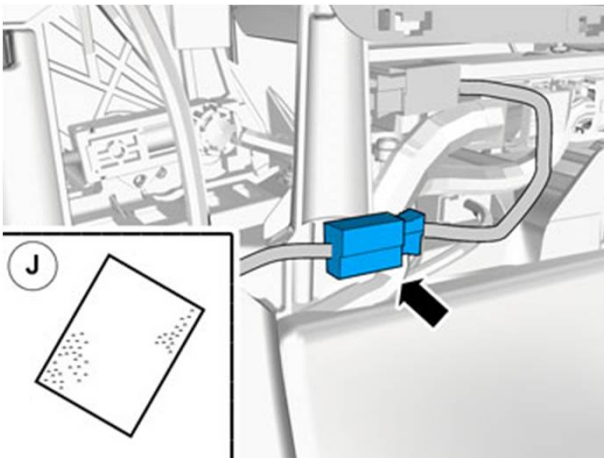
Use suitable tape to protect the components.



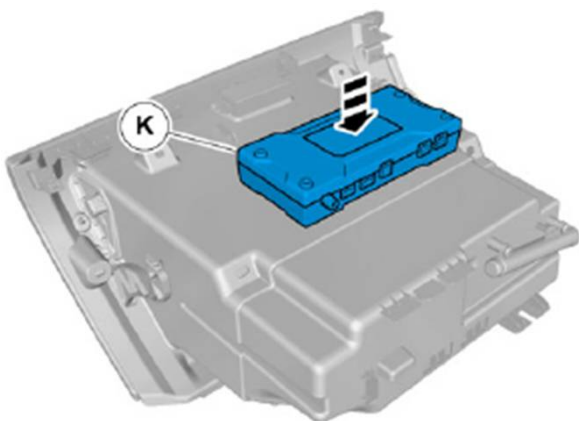
Place the cable behind the beverage holder.



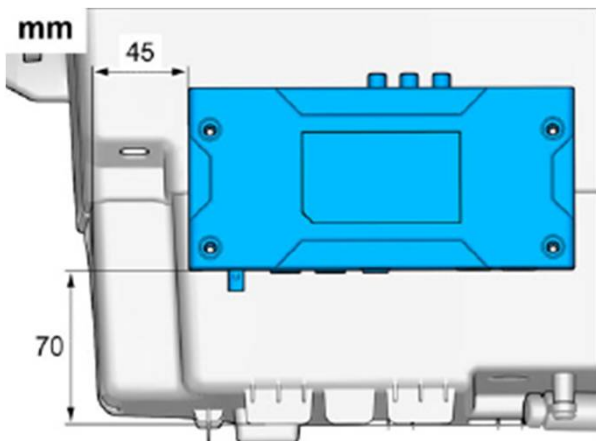
Plug in the ACC power connector.



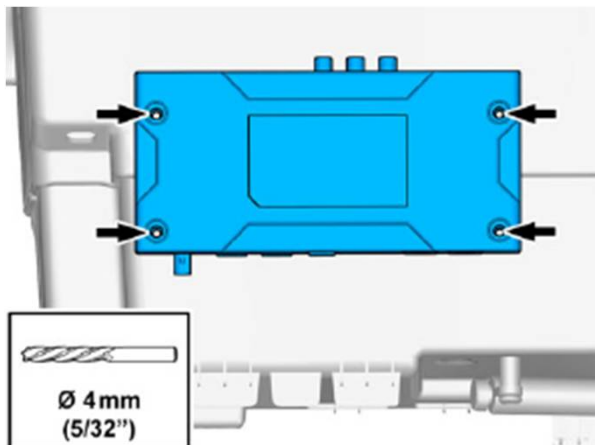
Use suitable tape to protect the components.



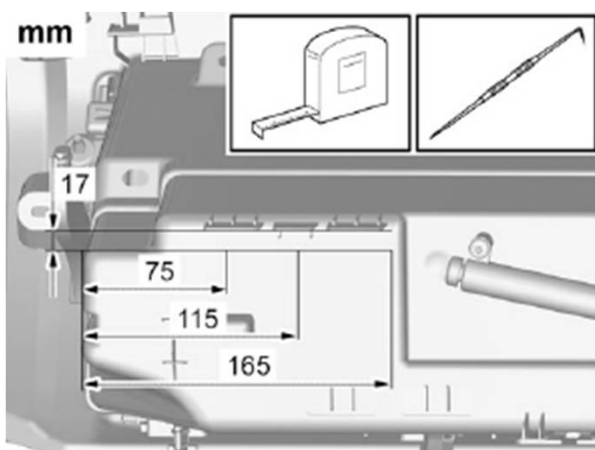
Place the BOU-588 on the glove box.



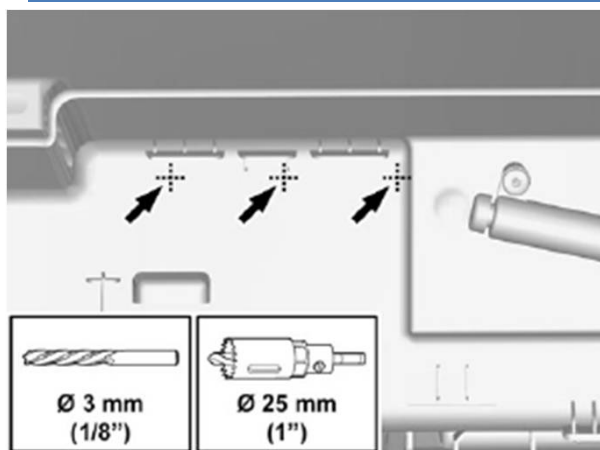
Match the mounting position.



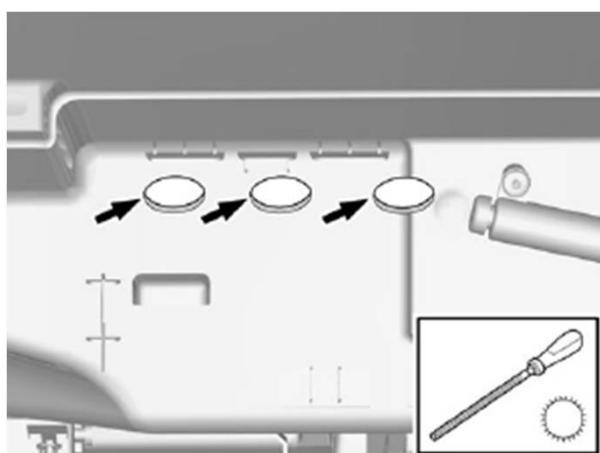
Drilling the hole.



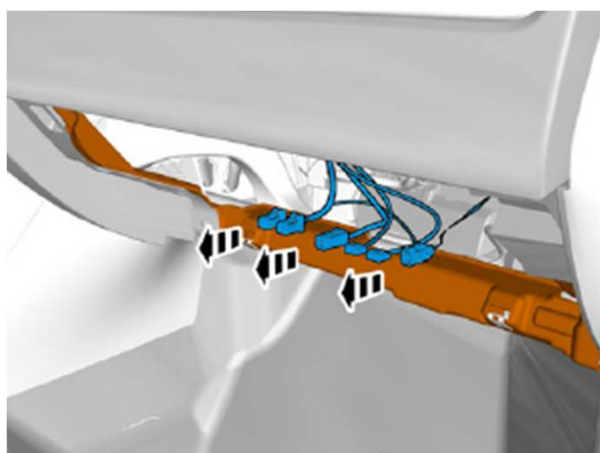
Measure and mark as illustrated.



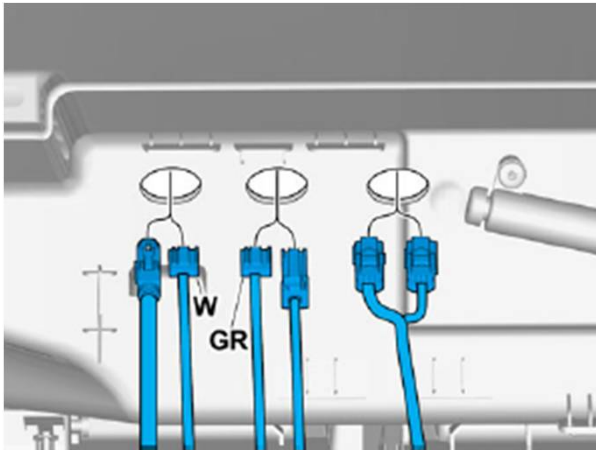
Drilling the hole.



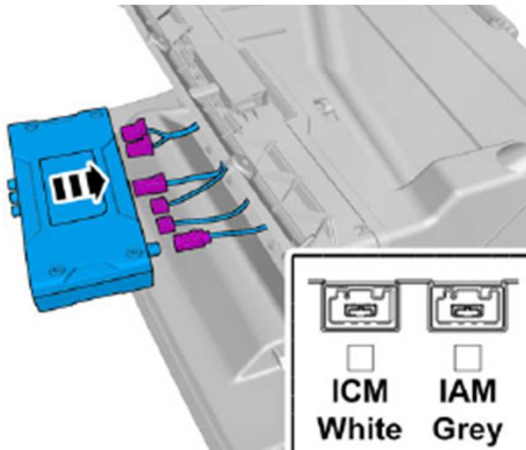
Deburr the hole edges.



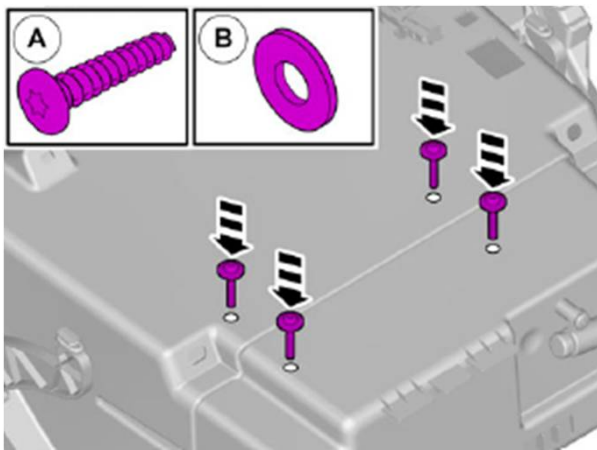
Pass through the cables from glove box.



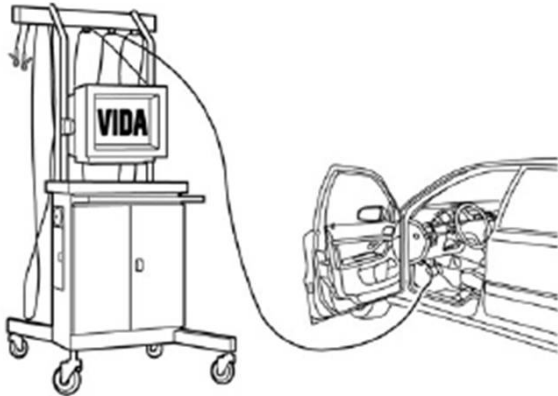
Pass through the cables from glove box.



Connect the connectors.



Lock the screws from top to bottom.



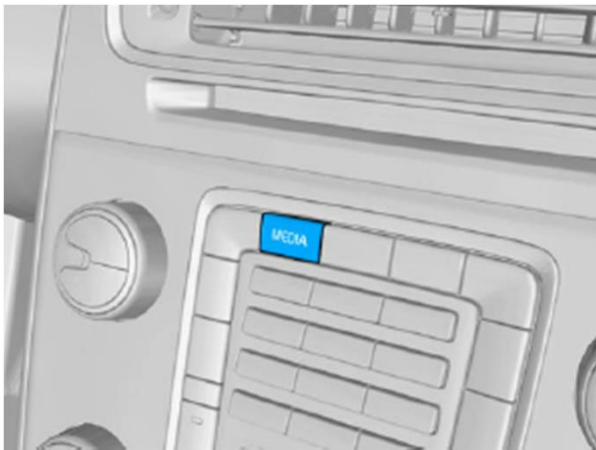
Download software (application) for the accessory's function according to the service information in VIDA.

Order and download software according to:

31399194 (S60 11-, V60, XC60 10w46-)

31399175 (S80 12-, V70 12-, XC70 12-)

31399196 (V40 13-, V40 CROSS COUNTRY)



Turn on the ignition.

Press the button marked "Media".

Choose Sensus Connected Touch in the menu.

The Sensus Connected Touch start menu should show.
