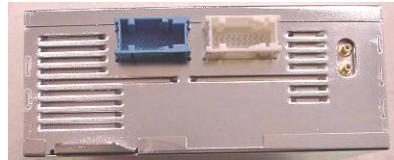


### Compatibility

BMW 3 (E46) / 5 (E39) / 7 (E38) / X5 (E53) / Mini / Range Rover / Rover 75  
 All vehicles with original BMW Monitor & TV Tuner (MkI/II/III/IV)

### Installation

1 - Locate TV Tuner Module (pictured)



3 Series E46	Saloon	Left hand side of boot – below CD changer
	Touring	Front of boot, centre – beneath floor
	Cabriolet	Front left corner of boot – behind carpet
5 Series E39	Saloon	Left hand side of boot – behind CD changer
	Touring	Front of boot, left hand side – beneath floor
7 Series E38	Saloon	Left hand side of boot – behind CD changer
X5 E53	SUV	Beneath spare wheel – behind battery (inside plastic housing)
Mini	Saloon	Inside rear right hand quarter panel (Japan spec, may differ)
Range Rover	4x4	Left hand side of boot – behind carpet panel
Rover 75	All	Spare wheel well – black housing

2 - Locate white 18 pin plug on TV Tuner

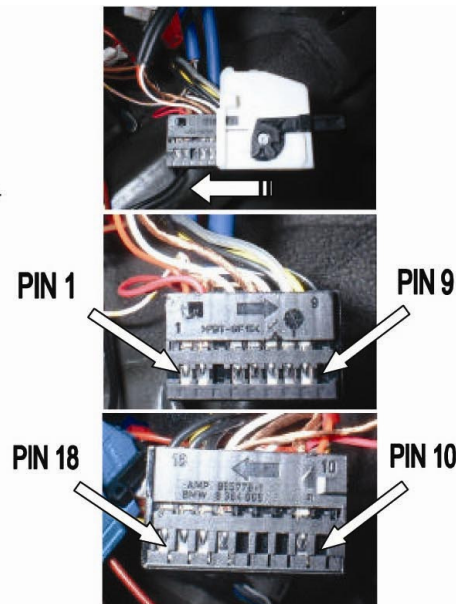
3 – Insert pins into plug as follows

#### Input assignment:

Pin 4 : input audio - signal from external source +  
 Pin 5 : input audio - ground (shield) -  
 Pin 6 : input video - signal from external source (CVBS) +  
 Pin 15: input video - ground (shield) -

#### Output assignment:

Pin 1 : output Audio - signal +  
 Pin 10: output Audio - ground (shield) -  
 Pin 2 : output Video - signal for add. screen (CVBS) +  
 Pin 11: output Video - ground (shield) -



### Operation

Select 'Television' from the menu of the monitor  
 Adjust channel until you reach 'AV' (below channel 1 or above channel 30)

The output from the TV Tuner will continue even when another source is selected on the monitor, allowing additional monitors / headphones to continue to play TV or AV

The front monitor will switch off whilst the vehicle is moving, interface **CT91-BM01** will allow this to be disabled (where law permits)